

2-Series Cell Li-ion/Li-Polymer Battery Protection IC with Battery Sensing

MQC883 Series

Outline

The MQC883 Series is 2-Series cell Li-ion/Li Polymer battery protection IC. The IC also monitors an abnormal temperature using external thermistor to protect battery pack and system. The IC integrates the battery voltage sensing terminal to be connected to system side, so that battery cells can be monitored accurately without depending on an impedance of protection circuit. This feature provides safer fast charging control.

Applications

- Lithium-ion rechargeable battery pack
- Lithium-polymer rechargeable battery pack

Features

Detection Voltage Setting Ranges and Accuracy

- Overcharge Detection Voltage
- Overdischarge Detection Voltage
- Discharging Overcurrent Detection Voltage 1
- Discharging Overcurrent Detection Voltage 2
- Charging Overcurrent Detection Voltage
- Short-Circuit Detection Voltage1
- 0V Battery Charging Inhibition Voltage

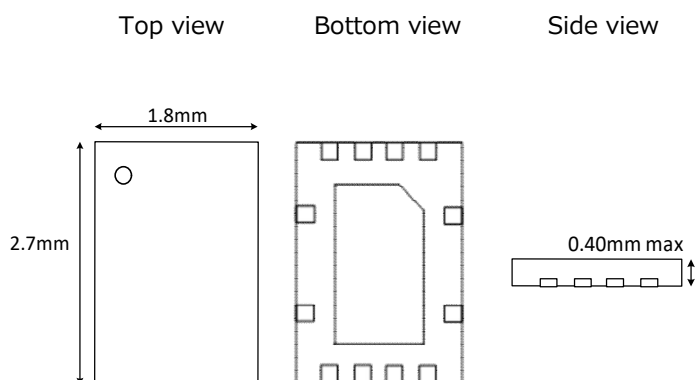
Specification

Item	Specification	Unit
Operation temperature	-40~85	°C
Power supply range	1.5~10.0	V
Current consumption (Normal)	6.0	μA

Range	Ta=25°C	Ta=-20~60°C
4.1V~5.0V, 5mV Step	-	±20mV
2.1V~3.0V, 50mV Step	±35mV	±40mV
6mV ~100mV, 0.1mV Step	±1.0mV	±1.5mV
15mV~100mV, 0.1mV Step	±1.5mV	±2.0mV
-100mV~-6mV, 0.1mV Step	±1.0mV	±1.5mV
30mV~200mV, 10mV Step	±3.0mV	±3.5mV
1.1V~1.4V	±0.2V	-

Package

•SQFN-12B



Typical application circuit

