

Remaining Battery Power Display Monolithic IC MM1206

Outline

This IC detects battery voltage and displays the remaining power on an LED or LCD display. The appeal of battery-driven equipment lies in its portability, but when the battery runs down and the equipment does not function, customer complaints and breakdowns may result. This IC prevents such trouble before it starts.

Features

1. There are three displays for remaining battery power :
FULL / MIDDLE / EMPTY.
2. Nine patterns built in for detection voltage, linked to two manganese batteries.
Standard setting : 2.5V, 2.25V
3. External parts held to a minimum

Package

SOP-8D (MM1206XF)
VSOP-8A (MM1206AF)

Detection Voltage Matrix Chart

SW1	SW2	Detection Voltage 1	Detection Voltage 2
GND	GND	2.64V	2.35V
GND	OPEN	2.62V	2.27V
GND	V _{cc}	2.60V	2.18V
OPEN	GND	2.52V	2.35V
OPEN	OPEN	2.50V	2.25V
OPEN	V _{cc}	2.48V	2.17V
V _{cc}	GND	2.42V	2.30V
V _{cc}	OPEN	2.40V	2.24V
V _{cc}	V _{cc}	2.38V	2.15V

*Voltage Accuracy
 Detection Voltage 1 : ±100mV typ.
 Detection Voltage 2 : ±90mV typ.

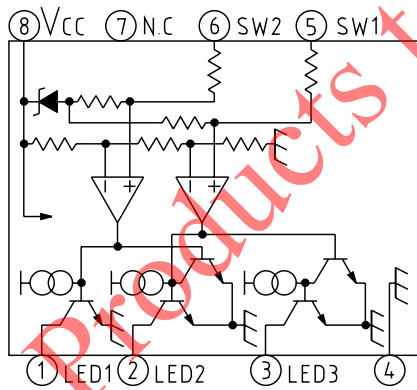
Absolute Maximum Ratings (Ta=25°C)

Item	Rating
Storage temperature	-40~+125°C
Operating temperature	-20~+70°C
Input voltage	5V
Allowable loss	300mW

Electrical Characteristics (Unless otherwise specified Ta=25°C, SW1=SW2=open)

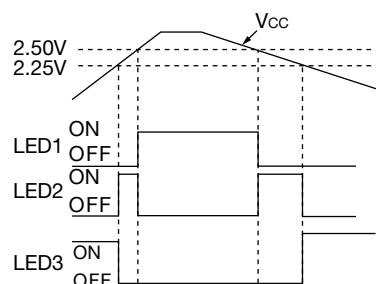
Item	Symbol	Measurement Conditions	Min.	Typ.	Max.	Unit.
Current consumption 1	I _{CC}	V _{CC} =3.0V		0.75	1.1	mA
Detection voltage 1	V _{TH1}	V _{CC} =H→L	2.4	2.5	2.6	V
Detection voltage 2	V _{TH2}	V _{CC} =H→L	2.16	2.25	2.34	V
Detection voltage difference	ΔV _T	ΔV _T =V _{TH1} -V _{TH2}	210	250	290	mV
Detection voltage temperature factor	V _{TH} /ΔT			±200		ppm/°C
Detection voltage I, Adjustment 1	+ΔV _{T1}	SW1=GND	70	100	130	mV
Detection voltage I, Adjustment 2	-ΔV _{T1}	SW1=V _{CC}	-70	-100	-130	mV
Detection voltage II, Adjustment 1	+ΔV _{T2}	SW2=GND	70	100	130	mV
Detection voltage II, Adjustment 2	-ΔV _{T2}	SW2=V _{CC}	-70	-100	-130	mV
Output sink current 1	I _{S1}	V _{CC} =2.7V, V _{CE} =0.5V	5	10		mA
Output sink current 2	I _{S2}	V _{CC} =2.38V, V _{CE} =0.5V	5	10		mA
Output sink current 3	I _{S3}	V _{CC} =2.0V, V _{CE} =0.5V	5	10		mA
Output saturation voltage 1	V _{CE1}	V _{CC} =2.7V, I _{SINK} =1mA		100	150	mV
Output saturation voltage 2	V _{CE2}	V _{CC} =2.38V, I _{SINK} =1mA		100	150	mV
Output saturation voltage 3	V _{CE3}	V _{CC} =2.0V, I _{SINK} =1mA		50	80	mV
Output leak voltage 1	I _{LE1}	V _{CC} =2.3V, V _{CE} =1.5V			1	μA
Output leak voltage 2	I _{LE2}	V _{CC} =2.7V, V _{CE} =1.5V			1	μA
Output leak voltage 2	I _{LE2'}	V _{CC} =2.0V, V _{CE} =1.5V			1	μA
Output leak voltage 3	I _{LE3}	V _{CC} =2.5V, V _{CE} =1.5V			1	μA

Block Diagram

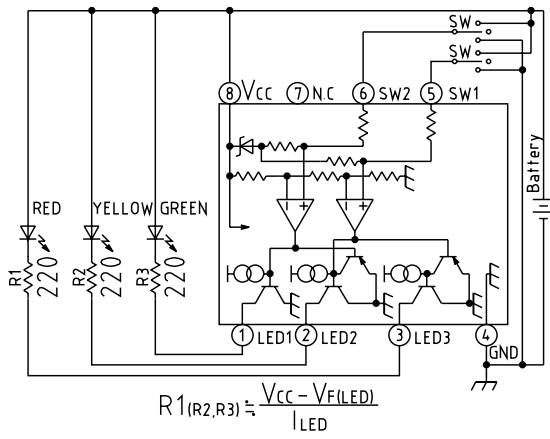


	2.50V	2.25V	
LED1	L	H	H
LED2	H	L	H
LED3	H	H	L

Timing Chart



Example of Application Circuit



Products to be discontinued