

● Specifications

1, General

When the cable of the strain gage applied transducer is extended, this junction box is used.

2, General specifications

- Parts No. B-304B
- Protective construction IP67
- Applicable diameter of cable $\phi 3$ mm to $\phi 14$ mm
- Material of case ADC-12A (Aluminum die casting)
- Painting color Metallic silver
- Operating temperature -10 °C to 70 °C
- Weight Approx. 800 g

3, Parts No.

B-304B---

① Type of the ground

No.	Specifications
A	Cable ground
B	Piping ground G1/2

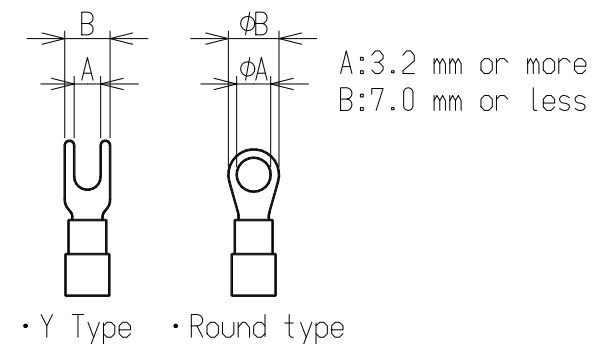
② Applicable fismeter of cable (Transducer side)

No.	Specifications
6	$\phi 3$ mm or more, $\phi 7$ mm or less
10	Over $\phi 7$ mm, $\phi 11$ mm or less
14	Over $\phi 11$ mm, $\phi 14$ mm or less

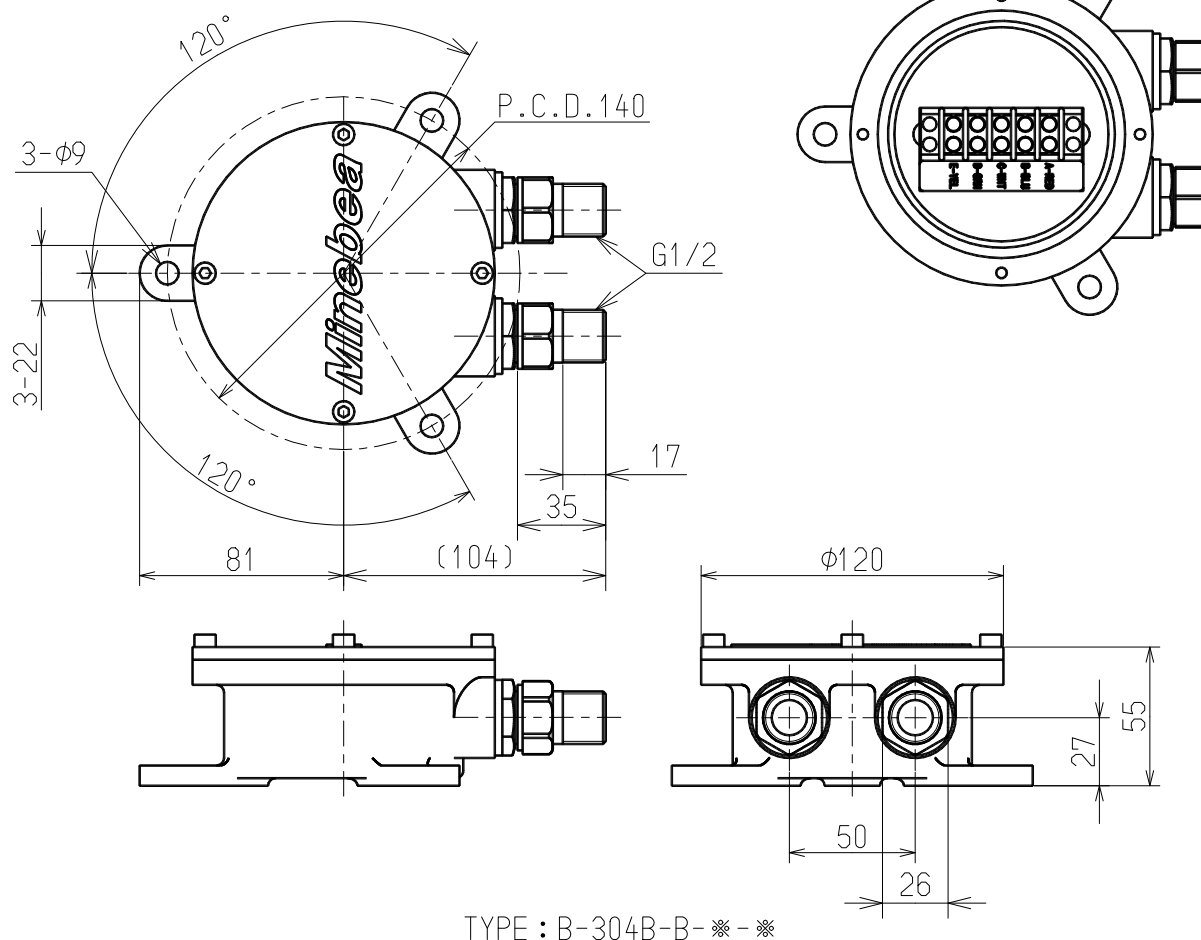
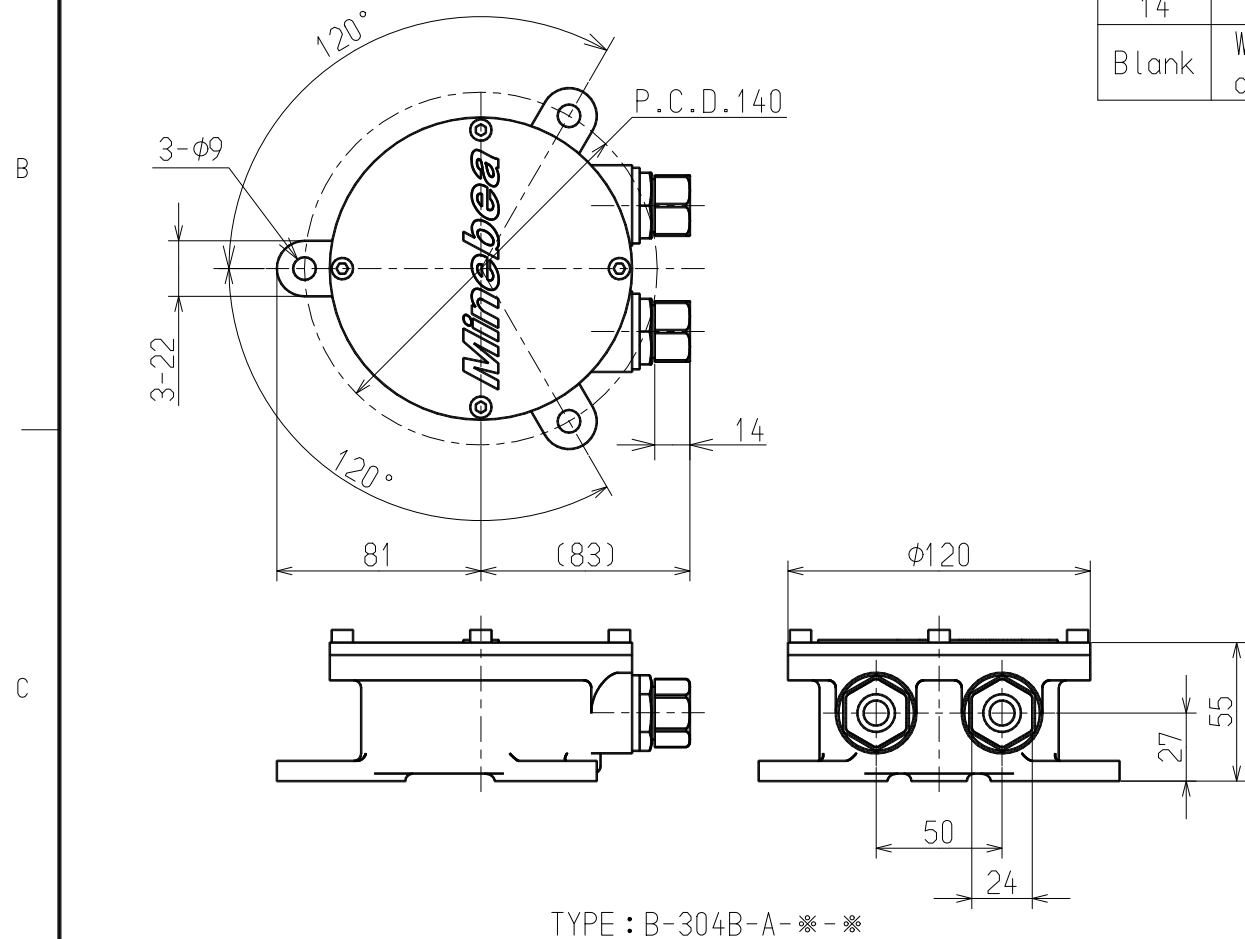
③ Applicable diameter of cable (amplifier side)

No.	Specifications
6	$\phi 3$ mm or more, $\phi 7$ mm or less
10	Over $\phi 7$ mm, $\phi 11$ mm or less
14	Over $\phi 11$ mm, $\phi 14$ mm or less
Blank	When the cable diameter on the amplifier side and the transducer side is the same.

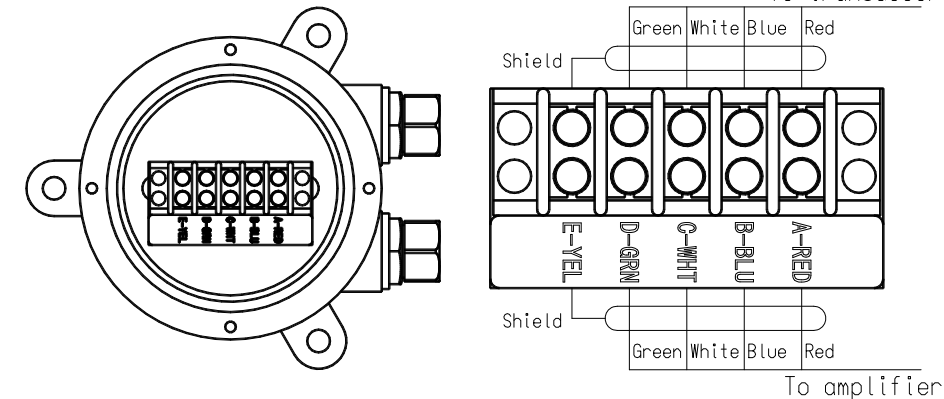
● Shitable attachment terminal



● Outline dimensions



● Terminal connection



Caution

- When the instrument is installed in outdoors, be sure to locate with the upper cover upward or in the vertical direction. And when you install it vertically, set it in the status of drawing direction of cable grand in parallel to the ground or set it in the downward direction.
- When deterioration of insulation is considered due to wide range of temperature change and dew condensation, fill the instrument with white vaseline after cable connection is completed. Instead, you can use a desiccant.

*Specifications and outline dimensions and so on which have printed may subject to change for the purpose of improvement.

				ミネベア株式会社 Minebea Co., Ltd.		単位 UNIT mm	材質 MATERIAL -	作成日 DATE 2016.12.22
				センシングデバイス事業部 Sensing Device Business Unit		尺度 SCALE FREE	表面粗さ SURF.ROUGH. -	品名 DESCRIPTION Specification drawings
						DIMENSION L TOL <L≤6 ±0.1 6<L≤30 ±0.2 30<L≤120 ±0.3 120<L≤400 ±0.5 400<L≤1000 ±0.8 角度 DEG ±0.5	熱処理 HEAT TREAT. -	型式 MODEL NAME B-304B-**-**-**
							表面処理 FINISH -	図番 DRAWING NO. KX52415-2-ENG
0	2016/12/22	NEW						葉番 SHEET /
符号 MARK	日付 DATE	変更事項 REASON	ECN NO.					改訂 REV. 0