

SPECIFICATIONS

Summing type junction Box

DB-307-※

Spec. No. EN353D307-F

1/2

1. General

This instrument is applied when the signals from Minebea's digital load cell are summed up to 4(four) pieces.

2. Specifications

- P/No. DB-307-※
- Protective construction IP54
- Clamping gland Flame resisting, dustproof, and waterproof type(Material : Nylon66)
- Applied cable diameter ϕ 6.5 mm or more , ϕ 8.5 mm or less for transducer application
over ϕ 8.5 mm , ϕ 10.5 mm or less for amplifier application
- Termination Built-in (120 Ω)
- Paint color Mansell 5Y7/1
- Weight Approx. 0.9 kg

3. Parts No.

DB-307-
①

①No. of adding points

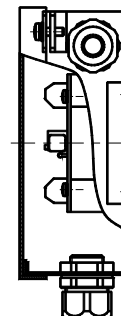
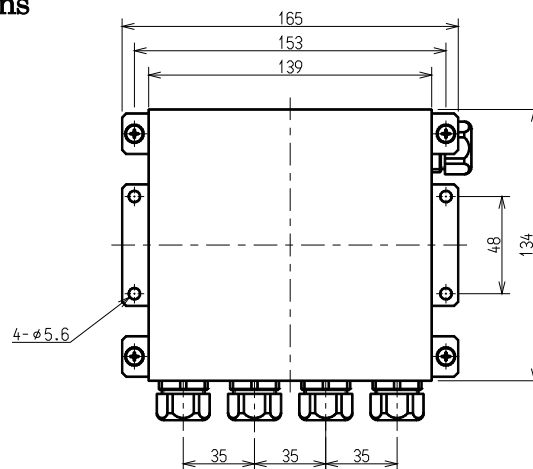
NO.	Specification
2	Summing 2 points
3	Summing 3 points
4	Summing 4 points

4. Options

- Tightening ground

Suitable cable diameter	P/No.
ϕ 6.5 mm or more , ϕ 8.5 mm or less	SCL-10A
over ϕ 8.5 mm , ϕ 10.5 mm or less	SCL-10B
Dammy ground	SCL-10Z

5. Outline dimensions



Unit : mm

SPECIFICATIONS

DB-307-※

Spec. No. EN353D307-F

2/2

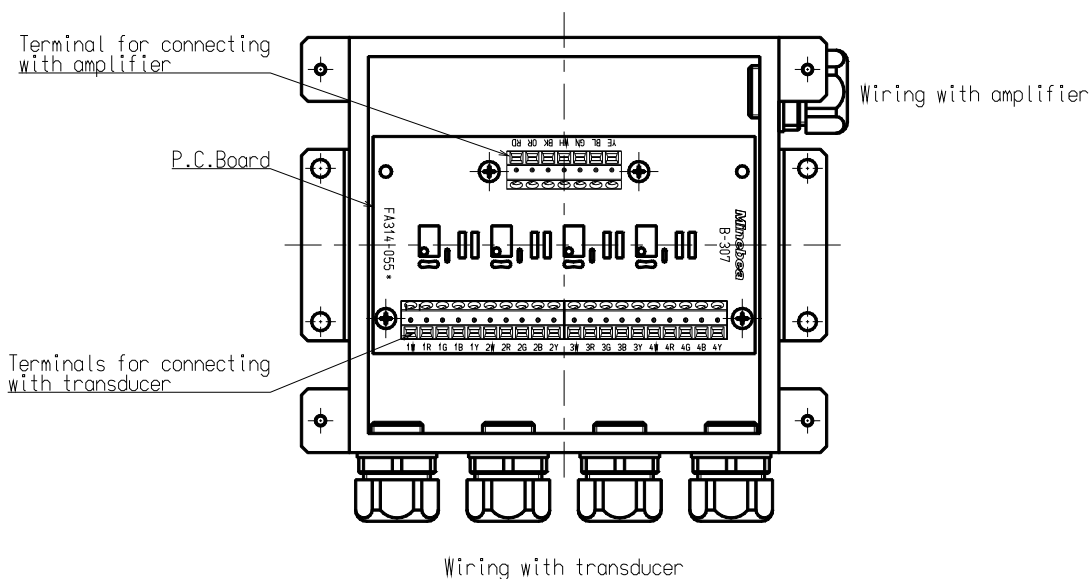
6. Wiring diagram

6-1. Wiring of amplifier (The cable color is Minebea's standard color.)

Terminal Name	Cable color of transducer
RD	Red
WH	White
GN	Green
BL	Blue
YE	Shield

6-2. Wiring of transducers (The cable color is Minebea's standard color.)

Terminal Name	Cable color of transducer
W(1W,2W,3W,4W)	White
R(1R,2R,3R,4R)	Red
G(1G,2G,3G,4G)	Green
B(1B,2B,3B,4B)	Blue
Y(1Y,2Y,3Y,4Y)	Shield (Yellow)



※Specifications and outline dimensions and so on which have printed may subject to change for the purpose of improvement without notice.