

SPECIFICATIONS

B-304Z-* -C

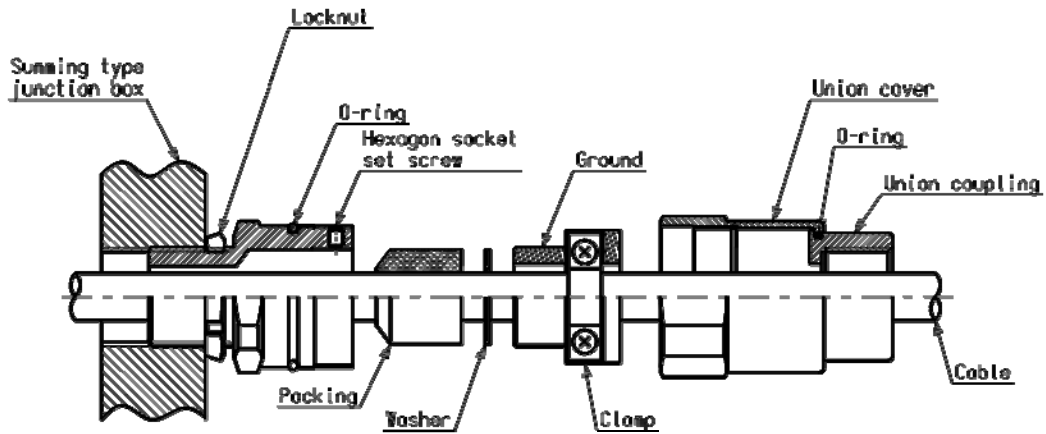
Spec. No. EN353304Z-C-G

2/3

5. Cable fixing

After wiring, tighten the cable ground or piping ground nut to secure the cable.

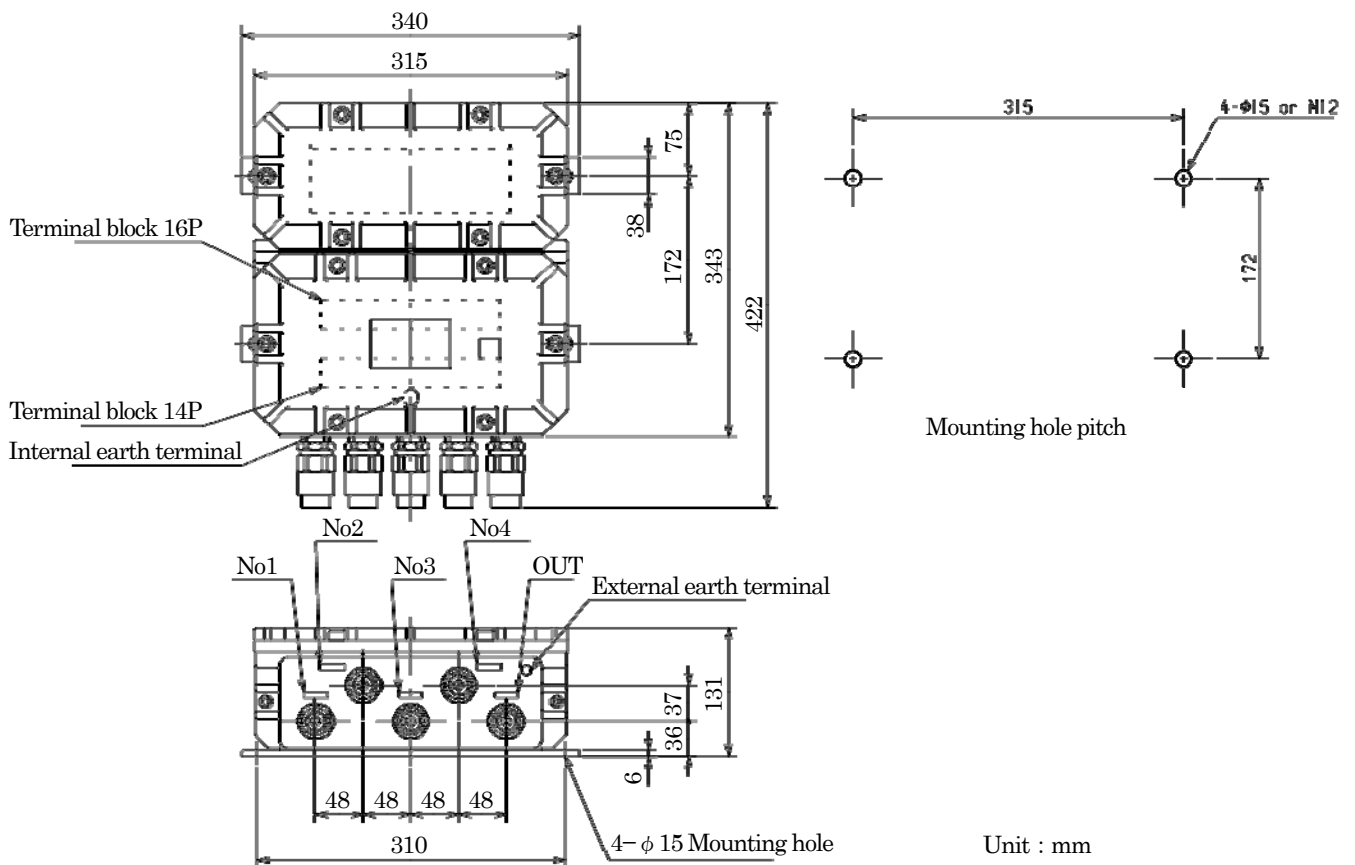
Tighten until the tightening nut does not turn, or tighten with a torque of 14.71 to 19.62 N·m.



6. Accessory

Hex-head wrench for M6 size 1 piece

7. Outline dimensions



SPECIFICATIONS

B-304Z-* -C

Spec. No. EN353304Z-C-G

3/3

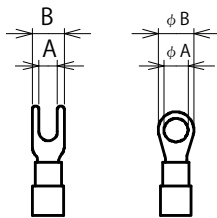
8. Schematics

Terminal block	Cable color	Signal name	Terminal block	Cable color	Signal name
1W to 4W	White	Input voltage(-)	RD	Red	Input voltage(+)
1R to 4R	Red	Input voltage(+)	OR	Orange	Remote sensing(+)
1G to 4G	Green	Output voltage(+)	BK	Black	Remote sensing(-)
1B to 4B	Blue	Output voltage(-)	WH	White	Input voltage(-)
1Y to 4Y		Shield	GN	Green	Output voltage(+)
			BL	Blue	Output voltage(-)
			YE		Shield

(MinebeaMitsumi standard cable color)

Applicable solderless terminal

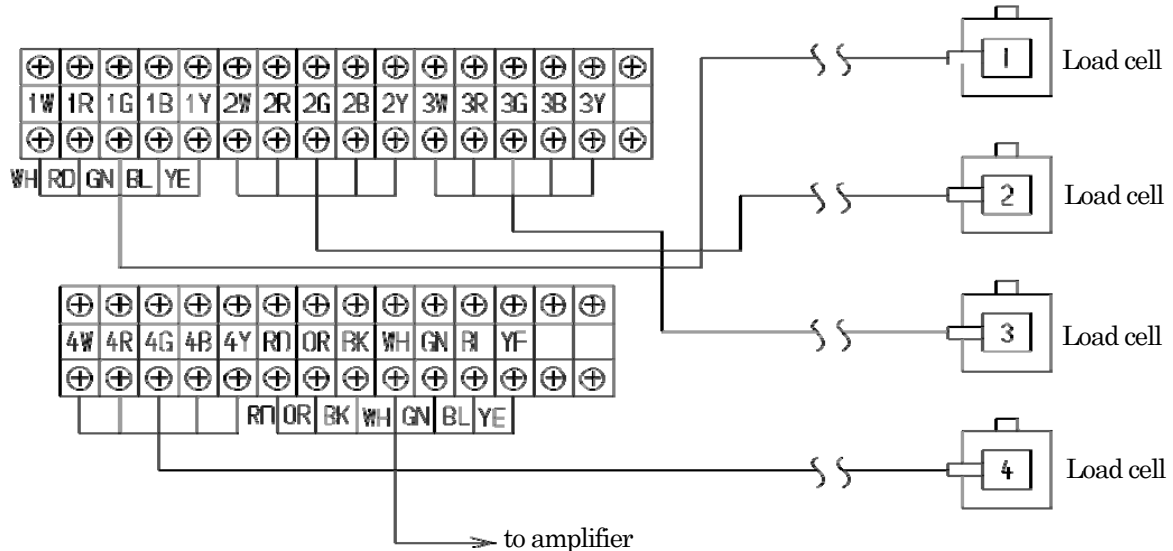
Recommended screw tightening torque 0.5 N·m



A: 3.2 mm or more
B: 7.0 mm or less

Y type Round type

(When using 6-cores cable, wiring orange to the same terminal of red, and black with white)



(When using 4-cores cable, wiring of orange and black is unnecessary.)

Specifications and outline dimensions and so on which have printed may subject to change for the purpose of improvement without notice.