

SPECIFICATIONS

Weight conversion module

CSD-892B-73

Spec.No.EN382892B-73A

1/8

1. General

This instrument is the digital conversion module for strain gage applied transducers which adopt the DIN mounting type and in suitable with built-in control panel.

2. Specifications

2-1 .Specifications for analog

- Bridge power supply DC5 V±0.25 V within 60 mA, with sensing
- Applicable transducers Up to 4 pieces of strain gage applied transducers(350 ohm) can be connectable.
- Input sensitivity 0.15 μ V/d or more (d=minimum scale)
* 0.2 μ V/d (In case of applying CE conformity standard.)
- Input range -3.1 mV/V ~ 3.1 mV/V
- Zero adjustment range ±2.5 mV/V
- Non-Linearity 0.01 %F.S.
- Temperature coefficient
Zero point ±0.2 μ V/°C
(When the calibration is made at 0.15 μ V/d or more of the input sensitivity.)
Sensitivity ±0.001 5 %F.S./°C
(When the calibration is made at 0.15 μ V/d or more of the input sensitivity.)
- Input noise ±0.2 μ Vp-p or less
(At the default setting of analog filter, digital filter and stabilization filter.)
- Analog filter Approx. 4.0 Hz (2.0Hz ~ 10.0 Hz, it can be swiched at intervals of 0.1 Hz.)
- A/D sampling 500 times/s (Changeable to 250 times/s, 100 times/s, 50 times/s.)
- A/D internal resolution 24 bits

2-2 .Specification for digital

- Main display (Load display)
 - Display range -99 999 ~ 99 999
 - Display increment 1 (Changeable to 2, 5, 10, 20, 50)
 - Display unit FSTN liquid crystal (With amber color LED back light.)
 - Over display “-OL” display at minus over, “OL” display at plus over
 - AD value over display “-OVF” display at minus over, “OVF” display at plus over
- Condition display ZERO, SPAN, mV/V, STABLE, TARE, GROSS, NET, CZ, LOCK, HOLD, ERROR
- Display rate 4 times/s
- Judgement display OUT 1, 2, 3, 4, 5
- Decimal point display No display, 10^1 , 10^2 , 10^3 and 10^4 changeable.
- Unit display No display, g, kg, t, N, kN, lb, Pa, kPa or MPa changeable.

SPECIFICATIONS

CSD-892B-73

Spec.No.EN382892B-73A

2/8

2 - 3 .Specifications for setting

- Internal setting value

EEPROM

Calibration data, the data that relates to calibration and ComParator set value

SRAM

Zero set data, Zero tracking data, and Tare data.

(The backup function is not provided in SRAM. You can change the stored place of Zero set data, Zero tracking data and Tare data to EEPROM by the function setting.)

2 - 4 .Function of front panel key switch

FUNC

Shifts to Function mode.

/ Shifts to Calibration setting mode.

(By pushing 2 seconds or more)

CAL-Z/◀

Shifts to ZERO calibration mode of a simple calibration.

(By pushing 2 seconds or more)

/Shifts to calibration lock mode of a simple calibration.

(By pushing 2 seconds or more CAL-Z/◀ and CAL-S/▲ at the same time.)

/ Carry up the setting value.

CAL-S/▲

Shifts to SPAN calibration mode of a simple calibration.

(By pushing 2 seconds or more)

/ Set value increment.

F / ENTER

Selects from Non, Hold, Zero set, Zero clear, Tare, Tare clear, Changeover the display for net value or gross value, Shift to the setting mode of comparator.

Check to CC-Link station number /Registration of set value

SPECIFICATIONS

CSD-892B-73

Spec.No.EN382892B-73A

3/8

2 - 5 .External control function

- External control input signals

3 functions in the following can be arbitrarily selected.

- OFF
- Zero set
- Zero clear
- Tare
- Tare clear
- Changeover the display for net value or gross value.
- Hold (Pulse)
- ERROR release
- Batch start
- Discharge start
- Emergency stop
- Manual free fall compensation
- Forced batch finish
- Forced discharge finish
- * Above are pulse input, and effective only once at the pulse width of 50 ms or more.
- Hold (Level)
- Display of NET (With ON, the net weight is displayed when the Gross weight is shown.)
- Batch key lock (Level : Effective in turning on at the measurement screen.)
- General input 1
- General Input 2
- General input 3

* Above are level input, and effective during the input of short for 50 ms or more.

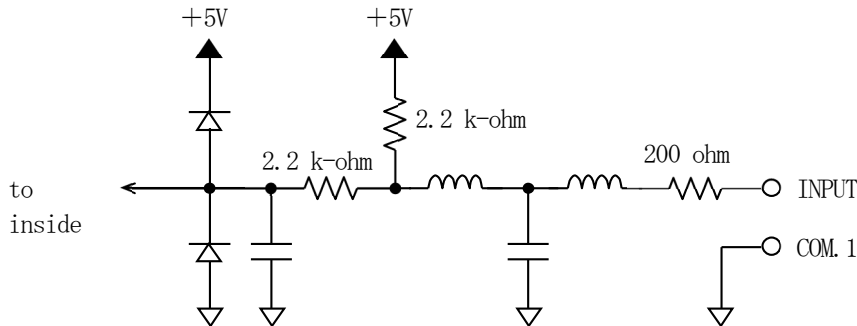
SPECIFICATIONS

CSD-892B-73

Spec.No.EN382892B-73A

4/8

- Equivalent circuit of the external control input section



- External control output signals

5 functions in the following can be arbitrarily selected.

- OFF
- RUN
- Stable
- During canceling the Tare weight
- Display of gross
- Display of net
- Center zero
- During the hold
- Error, Abnormal weight
- Z-Band
- OK (S0),
- Big flow (S1)
- Middle flow (S2)
- Small flow (S3)
- Over (S4)
- Under
- Full
- General output 1
- General output2
- General output3
- Measurement sequence error
- During measurement
- Batch finish
- Discharge (Open the discharge gate),
- Discharge finish (Discharge gate)

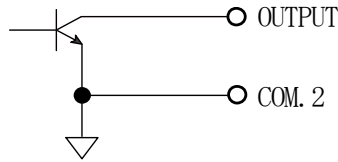
SPECIFICATIONS

CSD-892B-73

Spec.No.EN382892B-73A

5/8

- Equivalent circuit of external control output



Rated open collector $V_{CE} = DC35 V_{max}$, $I_C = DC50 mA_{max}$

* COM.1 and COM.2 are connected in the instrument.

2 - 6 .Comparator function

- Set value : -99 999 ~ 99 999
- Numbers of setting : 5 points of S0, S1, S2, S3 and S4
- Set value of hysteresis data width : 0 ~ 99 digit
- Direction of hysteresis : Whichever changeable to “On delay” or “Off delay”
- Conversion times of comparator : Changeable to synchronous with the A/D sampling times or display late.

2 - 7 .CC-Link interface

- Version of CC-Link : Ver.1.10
- Occupied stations Nos. : Selectable from 1, 2 or 4 stations.
- Specifications
 - Baud rate : Selectable from 156 kbps, 625 kbps, 2.5 Mbps, 5 Mbps or 10 Mbps.
 - Communication method : Poling method
 - Synchronous method : Bit synchronous method
 - Transmission route : RS-485 bus
 - Transmission format : HDLC conforming
 - Remote station : 01 ~ 64 when one station is occupied.
01 ~ 63 when two stations are occupied.
01 ~ 61 when four stations are occupied.
- Connectable units : 64 units at maximum with occupied one station.
32 units at maximum with occupied two stations.
16 units at maximum with occupied four stations.
- Connectable cable : Shielded twist pair special cable for “CC-Link”
- Termination : Attached with resistance externally.
- Status LED : Display the communication status by four (4) LEDs of “RUN”, “ERR”, “SD” and “RD”.

- Connector configuration of CC-Link

Pin No.	Signal name	Signal name
1	DA	Signal cable at DA side
2	DB	Signal cable at DB side
3	DG	Signal cable ground
4	SLD	Shield
5	FG	Frame ground

* Suitable plug for CC-Link connector plug : MSTB 2, 5/5-ST-5, 08 ABGY AU (made by Phoenix Contact.)

* “SLD” and “FG” are connected in the instrument.

SPECIFICATIONS

CSD-892B-73

Spec.No.EN382892B-73A

6/8

- Function

- (1) Reading out the load.
- (2) Reading out the condition.
- (3) Changing the condition.
- (4) Reading out the set value of comparator.
- (5) Changing the set value of comparator.
- (6) Reading out the set value of various functions.
- (7) Changing the set value of various functions.
- (8) Load calibration
- (9) Communication error code

* CC-Link is abbreviation of Control & Communication Link.

2-8 .USB interface

- Standard Comfirms to USB2.0 (Can also use with the standard of USB1.1)
- Connector mini USB B type (female)
- * Please use the USB interface after installing a special driver in the host side.

2-9 .Various functions

- Zero tracking Stabilize the fluctuation of the zero point in a constant condition.
- Digital filter Data is stabilized through the calculation process with the software in CPU.
- Stabilized filter The digital filter is reinforced and stabilized only when the width of the change of the load is constant.
- Digital linearize Executes the compensation of the non-linearity by the max. 3 points or less.

3. General specifications

- Operating temperature/humidity range
 - Temperature $-10\text{ }^{\circ}\text{C} \sim 50\text{ }^{\circ}\text{C}$
 - Humidity 85 %RH or less (Non condensing.)
- Stored temperatre range $-20\text{ }^{\circ}\text{C} \sim 60\text{ }^{\circ}\text{C}$
- Power supply
 - Power supply voltage DC24 V (Permissible variable range DC20.4 V ~ DC27.6 V)
 - Power consumption Approx. 2.4W (at DC24 V)
- Outline dimensions 72 mm(W)× 96 mm(H)× 67.4 mm(D)
(excludes protruding parts)
- Weight Approx.260 g

4. Specifications at the time of shipment

- Bridge power supply DC5 V
- Span adjustment 10 000 display at the input of 0.5 mV/V
- The minimum scale 1

5. Accessories

- Start guide (in Japanese) 1 piece
- Start guide (in English) 1 piece
- CC-Link connector 1 piece
- Short bar, between A-F and C-G 2 pieces

SPECIFICATIONS

CSD-892B-73

Spec.No.EN382892B-73A

7/8

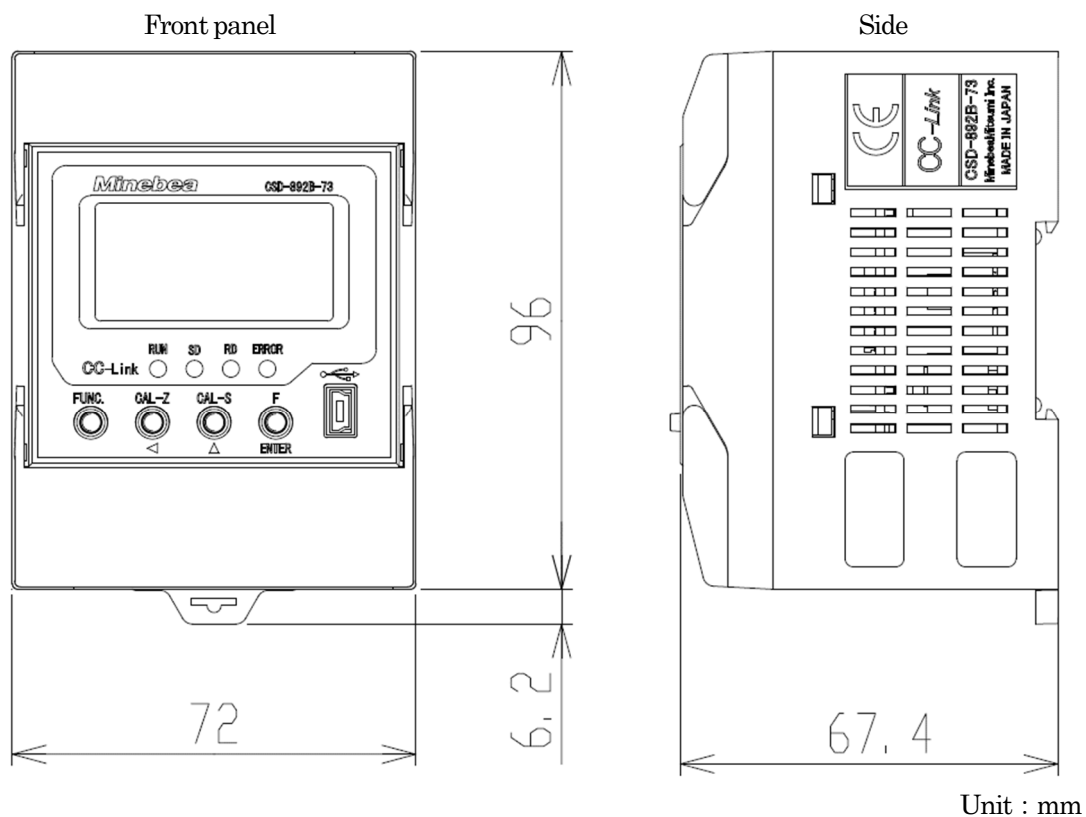
6. Options

6 - 1 .EzCTS (Ez Communication Tool Software)

The PC that installs EzCTS and connects with CSD-892B-73, can read and write the parameter set with CSD-892B-73.

* For details, EzCTS please refer to specifications.

7. Outline dimensions



Unit : mm

* It corresponds to the rail of 35 mm of DIN standard width.

SPECIFICATIONS

CSD-892B-73

Spec.No.EN382892B-73A

8/8

8. This instrument has suit Conformity standard

- This instrument has suited the following standard.

EN61326-1 : 2013

“Electrical equipment for measurement, control and laboratory use - EMC requirements”

“Immunity test requirements for equipment intended for use in industrial locations”

JIS B 7611-2 : 2015

"Non-automatic weighing instruments - Metrological and technical requirements and test - Part2: Measuring instruments used in transaction or certification."

According to Annex C (Environmental Level H), (Environmental Level L).

RoHS compliant

* CE conformity standard is not effective in case of using USB interface.

Please observe the following conditions strictly when this instrument suits the below,

it may not conform to the above standard when these are neglected.

8-1 .Wiring

① About cable

- Use the shielded cable other than the power cable.

② Shield processing

- Please connect the shield cable of load cell with E terminal in upper terminal block.
- Please connect the shield cable only for CC-Link interface with SLD terminal in the connector for CC-Link interface.
- Please make sure to do the shield processing on the cable only for CC-Link and the external control I/O.

③ Grounding

- The ground shall apply the individual ground by using the F.G. terminal in lower terminal block.

④ Surge countereasure parts

- When applying to EN61326-1:2013, connect an external surge absorber (Model : RSP-DC24Q-4 Made by Okaya Electric Industries Co., Ltd.) or equivalent products (breakdown voltage of 33V or more) in parallel to the terminal block (F.G., 24V, 0V) .
- When applying to JIS B 7611-2:2015 level H, connect an external surge absorber (Model : RSP-DC24Q-4 Made by Okaya Electric Industries Co., Ltd.) in parallel to the terminal block (F.G., 24V, 0V) .
When applying to JIS B 7611-2:2015 level L, no surge absorbers are required.

* Specifications and Outline dimensions and so on which have printed may subject to change for the purpose of improvement without notice.