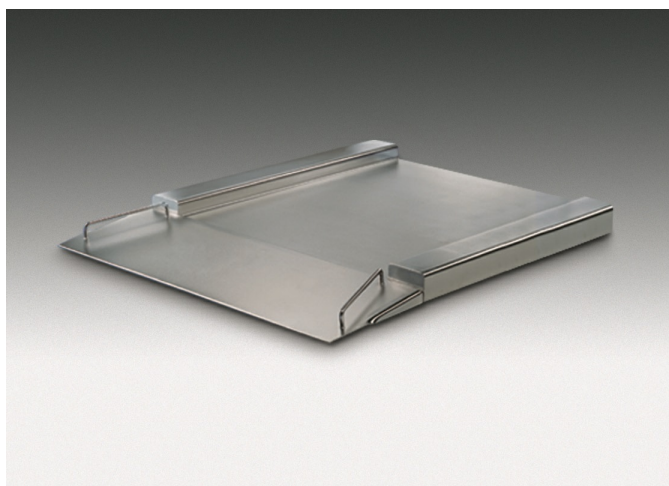


IF Series

Minebea Intec

2023/10/23

Features



- Wide range of weighing capacities and platform sizes Non-explosion-proof:59 types,explosion-proof:48 types
- Various options are available based on the operating method
- Made entirely of stainless steel(AISI304 SUS304 equivalent Bead blasted finish,seamless machining)
- Accuracy:1/3000(Uses 1/6000 load cell type)
- Max.display resolution :1/30000(When combined with a CAIS type display.However,resolution is 1/15000 if T8 option is used)
- Completely water proof IP67 and IP68
- Separable weighing part and display part.Display can be selected based on the application.
- Display connection cable 6m
- Single-sided slope equipped as standard(Double slopes available as options) 【Explosion-proof type】
- Intrinsically safe explosion-proof structure Ex ib II C T4(Explosion-proof international standard ATEX accredited.Supported with IFXS types)
- Select among 3 types:Power supply for installation in explosion-proof areas,power supply for installation in safe areas,and battery type.

Specification

IF Series

Minebea Intec

2023/10/23

Specification name	Specification contents	Specification contents2	Specification contents3
Item	IFS4	IFXS4	IFS4
OIML Accuracy class	C3	C3	C3
Explosion-proof		ATEX : II 2G 1D EEx ib IIC T4 T150°C	
Recommended supply voltage	5VDC~12VDC	5VDC~12VDC	5VDC~12VDC
Load Cell Rated output	2mV/V(4-point support)	2mV/V(4-point support)	2mV/V(4-point support)
Operating temperature range	-10°C~40°C	-10°C~40°C	-10°C~40°C
Class of protection	IP67	IP69	IP68(IP69K available)
Material of element	Body:JIS SUS304 equivalent	Body:JIS SUS304 equivalent	Body:JIS SUS304 equivalent
Surface Finish	Glass beads blasted finish(standard), Electro-polished finish(optional specification)	Glass beads blasted finish(standard), Electro-polished finish(optional specification)	Glass beads blasted finish(standard), Electro-polished finish(optional specification)
Cable length	6m	6m	6m

Table of P/N

Parts No.	DimensionsL [mm]	DimensionsB1 [mm]	DimensionsL1 [mm]	DimensionsH1 [mm]	DimensionsH2 [mm]	DimensionB2 [mm]
IFS4-150GG-I	600	600	350	35	85	840
IFXS4-150GG-I	600	600	350	35	85	840
IFS4-150IG-I	800	600	350	35	85	840
IFXS4-150IG-I	800	600	350	35	85	840
IFS4-150II-I	800	800	350	35	85	1040
IFXS4-150II-I	800	800	350	35	85	1040
IFS4-150LG-I	1000	600	350	35	85	840
IFXS4-150LG-I	1000	600	350	35	85	840
IFS4-150LI-I	1000	800	350	35	85	1040
IFXS4-150LI-I	1000	800	350	35	85	1040
IFS4-150LL-I	1000	1000	350	35	85	1240
IFXS4-150LL-I	1000	1000	350	35	85	1240

IF Series

Minebea Intec

2023/10/23

IFS4-150LL-I	1000	1000	350	35	85	1240
IFS4-150NL-I	1250	1000	350	35	85	1240
IFXS4-150NL-I	1250	1000	350	35	85	1240
IFS4-150NN-I	1250	1250	350	35	85	1490
IFXS4-150NN-I	1250	1250	350	35	85	1490
IFS4-150RN-I	1500	1250	350	35	85	1490
IFXS4-150RN-I	1500	1250	350	35	85	1490
IFS4-150RR-I	1500	1500	500	45	85	1740
IFXS4-150RR-I	1500	1500	500	45	85	1740
IFS4-150WR-I	2000	1500	500	45	85	1740
IFXS4-150WR-I	2000	1500	500	45	85	1740
IFS4-300GG-I	600	600	350	35	85	840
IFXS4-300GG-I	600	600	350	35	85	840
IFS4-300IG-I	800	600	350	35	85	840
IFXS4-300IG-I	800	600	350	35	85	840
IFS4-300II-I	800	800	350	35	85	1040
IFXS4-300II-I	800	800	350	35	85	1040
IFS4-300LG-I	1000	600	350	35	85	840
IFXS4-300LG-I	1000	600	350	35	85	840
IFS4-300LI-I	1000	800	350	35	85	1040
IFXS4-300LI-I	1000	800	350	35	85	1040
IFS4-300LL-I	1000	1000	350	35	85	1240
IFXS4-300LL-I	1000	1000	350	35	85	1240
IFS4-300NL-I	1250	1000	350	35	85	1240
IFXS4-300NL-I	1250	1000	350	35	85	1240
IFS4-300NN-I	1250	1250	350	35	85	1490
IFXS4-300NN-I	1250	1250	350	35	85	1490
IFS4-300RN-I	1500	1250	350	35	85	1490
IFXS4-300RN-I	1500	1250	350	35	85	1490
IFS4-300RR-I	1500	1500	500	45	85	1740
IFXS4-300RR-I	1500	1500	500	45	85	1740
IFS4-300WR-I	2000	1500	500	45	85	1740
IFXS4-300WR-I	2000	1500	500	45	85	1740
IFS4-600GG-I	600	600	350	35	85	840
IFXS4-600GG-I	600	600	350	35	85	840
IFS4-600IG-I	800	600	350	35	85	840
IFXS4-600IG-I	800	600	350	35	85	840
IFS4-600II-I	800	800	350	35	85	1040

IF Series

Minebea Intec

2023/10/23

IFXS4-600II-I	800	800	350	35	85	1040
IFS4-600LG-I	1000	600	350	35	85	840
IFXS4-600LG-I	1000	600	350	35	85	840
IFS4-600LI-I	1000	800	350	35	85	1040
IFXS4-600LI-I	1000	800	350	35	85	1040
IFS4-600LL-I	1000	1000	350	35	85	1240
IFXS4-600LL-I	1000	1000	350	35	85	1240
IFS4-600NL-I	1250	1000	350	35	85	1240
IFXS4-600NL-I	1250	1000	350	35	85	1240
IFS4-600NN-I	1250	1250	500	45	85	1490
IFXS4-600NN-I	1250	1250	500	45	85	1490
IFS4-600RN-I	1500	1250	350	35	85	1490
IFXS4-600RN-I	1500	1250	350	35	85	1490
IFS4-600RR-I	1500	1500	500	45	85	1740
IFXS4-600RR-I	1500	1500	500	45	85	1740
IFS4-600WR-I	2000	1500	500	45	85	1740
IFXS4-600WR-I	2000	1500	500	45	85	1740
IFS4-1000GG-I	600	600	350	35	85	840
IFXS4-1000GG-I	600	600	350	35	85	840
IFS4-1000IG-I	800	600	350	35	85	840
IFXS4-1000IG-I	800	600	350	35	85	840
IFS4-1000II-I	800	800	350	35	85	1040
IFXS4-1000II-I	800	800	350	35	85	1040
IFS4-1000LG-I	1000	600	350	35	85	840
IFXS4-1000LG-I	1000	600	350	35	85	840
IFS4-1000LI-I	1000	800	350	35	85	1040
IFXS4-1000LI-I	1000	800	350	35	85	1040
IFS4-1000LL-I	1000	1000	350	35	85	1240
IFXS4-1000LL-I	1000	1000	350	35	85	1240
IFS4-1000NL-I	1250	1000	350	35	85	1240
IFXS4-1000NL-I	1250	1000	350	35	85	1240
IFS4-1000NN-I	1250	1250	500	45	85	1490
IFXS4-1000NN-I	1250	1250	500	45	85	1490

IF Series

Minebea Intec

2023/10/23

IFS4-1000RN-I	1500	1250	350	35	85	1490
IFXS4-1000RN-I	1500	1250	350	35	85	1490
IFS4-1000RR-I	1500	1500	500	45	85	1740
IFXS4-1000RR-I	1500	1500	500	45	85	1740
IFS4-1000WR-I	2000	1500	500	45	85	1740
IFXS4-1000WR-I	2000	1500	500	45	85	1740
IFS4-1500II-I	800	800	350	35	85	1040
IFXS4-1500II-I	800	800	350	35	85	1040
IFS4-1500LG-I	1000	600	350	35	85	840
IFXS4-1500LG-I	1000	600	350	35	85	840
IFS4-1500LI-I	1000	800	500	45	85	1040
IFXS4-1500LI-I	1000	800	500	45	85	1040
IFS4-1500LL-I	1000	1000	500	45	85	1240
IFXS4-1500LL-I	1000	1000	500	45	85	1240
IFS4-1500NL-I	1250	1000	500	45	85	1240
IFXS4-1500NL-I	1250	1000	500	45	85	1240
IFS4-1500NN-I	1250	1250	500	45	85	1490
IFXS4-1500NN-I	1250	1250	500	45	85	1490
IFS4-1500RN-I	1500	1250	350	35	85	1490
IFXS4-1500RN-I	1500	1250	350	35	85	1490
IFS4-1500RR-I	1500	1500	500	45	85	1740
IFXS4-1500RR-I	1500	1500	500	45	85	1740
IFS4-1500WR-I	2000	1500	500	45	85	1740
IFXS4-1500WR-I	2000	1500	500	45	85	1740
IFS4-3000LL-I	1000	1000	500	45	85	1240
IFXS4-3000LL-I	1000	1000	500	45	85	1240
IFS4-3000NL-I	1250	1000	500	45	85	1240
IFXS4-3000NL-I	1250	1000	500	45	85	1240

IF Series

Minebea Intec

2023/10/23

IFS4-3000NN-I	1250	1250	500	45	85	1490
IFXS4-3000NN-I	1250	1250	500	45	85	1490
IFS4-3000RN-I	1500	1250	350	35	85	1490
IFXS4-3000RN-I	1500	1250	350	35	85	1490
IFS4-3000RR-I	1500	1500	500	45	85	1740
IFXS4-3000RR-I	1500	1500	500	45	85	1740
IFS4-3000WR-I	2000	1500	500	45	85	1740
IFXS4-3000WR-I	2000	1500	500	45	85	1740

Parts No.	Weighing Range [kg]	Readability [g]	Weighing Table Dimensions(W) [mm]	Weighing Table Dimensions(D) [mm]	Weighing Table Dimensions(H) [mm]	OptionV1	OptionV2
IFS4-150GG-I	150	5	600	600	35	●	
IFXS4-150GG-I	150	5	600	600	35	●	
IFS4-150IG-I	150	5	600	800	35	●	
IFXS4-150IG-I	150	5	600	800	35	●	
IFS4-150II-I	150	5	600	800	35	●	
IFXS4-150II-I	150	5	600	800	35	●	
IFS4-150LG-I	150	5	600	1000	35	●	
IFXS4-150LG-I	150	5	600	1000	35	●	
IFS4-150LI-I	150	5	800	1000	35	●	
IFXS4-150LI-I	150	5	800	1000	35	●	
IFS4-150LL-I	150	5	1000	1000	35	●	
IFXS4-150LL-I	150	5	1000	1000	35	●	
IFS4-150NL-I	150	5	1000	1250	35	●	

IF Series

Minebea Intec

2023/10/23

IFXS4-150NL-I	150	5	1000	1250	35	●	
IFS4-150NN-I	150	5	1250	1250	35	●	
IFXS4-150NN-I	150	5	1250	1250	35	●	
IFS4-150RN-I	150	5	1250	1500	35	●	
IFXS4-150RN-I	150	5	1250	1500	35	●	
IFS4-150RR-I	150	5	1500	1500	45		●
IFXS4-150RR-I	150	5	1500	1500	45		●
IFS4-150WR-I	150	5	1500	2000	45		●
IFXS4-150WR-I	150	5	1500	2000	45		●
IFS4-300GG-I	300	10	600	600	35	●	
IFXS4-300GG-I	300	10	600	600	35	●	
IFS4-300IG-I	300	10	600	800	35	●	
IFXS4-300IG-I	300	10	600	800	35	●	
IFS4-300II-I	300	10	800	800	35	●	
IFXS4-300II-I	300	10	800	800	35	●	
IFS4-300LG-I	300	10	600	1000	35	●	
IFXS4-300LG-I	300	10	600	1000	35	●	
IFS4-300LI-I	300	10	800	1000	35	●	
IFXS4-300LI-I	300	10	800	1000	35	●	
IFS4-300LL-I	300	10	1000	1000	35	●	
IFXS4-300LL-I	300	10	1000	1000	35	●	
IFS4-300NL-I	300	10	1000	1250	35	●	
IFXS4-							

IF Series

Minebea Intec

2023/10/23

IFS4-300NL-I	300	10	1000	1250	35	●	
IFS4-300NN-I	300	10	1250	1250	35	●	
IFXS4-300NN-I	300	10	1250	1250	35	●	
IFS4-300RN-I	300	10	1250	1500	35	●	
IFXS4-300RN-I	300	10	1250	1500	35	●	
IFS4-300RR-I	300	10	1500	1500	45		●
IFXS4-300RR-I	300	10	1500	1500	45		●
IFS4-300WR-I	300	10	1500	2000	45		●
IFXS4-300WR-I	300	10	1500	2000	45		●
IFS4-600GG-I	600	20	600	600	35	●	
IFXS4-600GG-I	600	20	600	600	35	●	
IFS4-600IG-I	600	20	600	800	35	●	
IFXS4-600IG-I	600	20	600	800	35	●	
IFS4-600II-I	600	20	800	800	35	●	
IFXS4-600II-I	600	20	800	800	35	●	
IFS4-600LG-I	600	20	600	1000	35	●	
IFXS4-600LG-I	600	20	600	1000	35	●	
IFS4-600LI-I	600	20	800	1000	35	●	
IFXS4-600LI-I	600	20	800	1000	35	●	
IFS4-600LL-I	600	20	1000	1000	35	●	
IFXS4-600LL-I	600	20	1000	1000	35	●	
IFS4-600NL-I	600	20	1000	1250	35	●	
IFXS4-600NL-I	600	20	1000	1250	35	●	

IF Series

Minebea Intec

2023/10/23

60UNL-I							
IFS4-600NN-I	600	20	1250	1250	45		●
IFXS4-600NN-I	600	20	1250	1250	45		●
IFS4-600RN-I	600	20	1250	1500	45		●
IFXS4-600RN-I	600	20	1250	1500	45		●
IFS4-600RR-I	600	20	1500	1500	45		●
IFXS4-600RR-I	600	20	1500	1500	45		●
IFS4-600WR-I	600	20	1500	2000	45		●
IFXS4-600WR-I	600	20	1500	2000	45		●
IFS4-1000GG-I	1000	50	600	600	35	●	
IFXS4-1000GG-I	1000	50	600	600	35	●	
IFS4-1000IG-I	1000	50	600	800	35	●	
IFXS4-1000IG-I	1000	50	600	800	35	●	
IFS4-1000II-I	1000	50	800	800	35	●	
IFXS4-1000II-I	1000	50	800	800	35	●	
IFS4-1000LG-I	1000	50	600	1000	35	●	
IFXS4-1000LG-I	1000	50	600	1000	35	●	
IFS4-1000LI-I	1000	50	800	1000	35	●	
IFXS4-1000LI-I	1000	50	800	1000	35	●	
IFS4-1000LL-I	1000	50	1000	1000	35	●	
IFXS4-1000LL-I	1000	50	1000	1000	35	●	
IFS4							

IF Series

Minebea Intec

2023/10/23

IFS4-1000NL-I	1000	50	1000	1250	35	●	
IFXS4-1000NL-I	1000	50	1000	1250	35	●	
IFS4-1000NN-I	1000	50	1250	1250	45		●
IFXS4-1000NN-I	1000	50	1250	1250	45		●
IFS4-1000RN-I	1000	50	1250	1500	45		●
IFXS4-1000RN-I	1000	50	1250	1500	45		●
IFS4-1000RR-I	1000	50	1500	1500	45		
IFXS4-1000RR-I	1000	50	1500	1500	45		
IFS4-1000WR-I	1000	50	1500	2000	45		
IFXS4-1000WR-I	1000	50	1500	2000	45		
IFS4-1500II-I	1500	50	800	800	35	●	
IFXS4-1500II-I	1500	50	800	800	35	●	
IFS4-1500LG-I	1500	50	600	1000	35	●	
IFXS4-1500LG-I	1500	50	600	1000	35	●	
IFS4-1500LI-I	1500	50	800	1000	45		●
IFXS4-1500LI-I	1500	50	800	1000	45		●
IFS4-1500LL-I	1500	50	1000	1000	45		●
IFXS4-	----	--	----	----	--		

IF Series

Minebea Intec

2023/10/23

1500LL-I	1500	50	1000	1000	45	●
IFS4-1500NL-I	1500	50	1000	1250	45	●
IFXS4-1500NL-I	1500	50	1000	1250	45	●
IFS4-1500NN-I	1500	50	1250	1250	45	●
IFXS4-1500NN-I	1500	50	1250	1250	45	●
IFS4-1500RN-I	1500	50	1250	1500	45	●
IFXS4-1500RN-I	1500	50	1250	1500	45	●
IFS4-1500RR-I	1500	50	1500	1500	45	
IFXS4-1500RR-I	1500	50	1500	1500	45	
IFS4-1500WR-I	1500	50	1500	2000	45	
IFXS4-1500WR-I	1500	50	1500	2000	45	
IFS4-3000LL-I	3000	100	1000	1000	45	
IFXS4-3000LL-I	3000	100	1000	1000	45	
IFS4-3000NL-I	3000	100	1000	1250	45	
IFXS4-3000NL-I	3000	100	1000	1250	45	
IFS4-3000NN-I	3000	100	1250	1250	45	
IFXS4-3000NN-I	3000	100	1250	1250	45	

IF Series

Minebea Intec

2023/10/23

IFS4-3000RN-I	3000	100	1250	1500	45		
IFXS4-3000RN-I	3000	100	1250	1500	45		
IFS4-3000RR-I	3000	100	1500	1500	45		
IFXS4-3000RR-I	3000	100	1500	1500	45		
IFS4-3000WR-I	3000	100	1500	2000	45		
IFXS4-3000WR-I	3000	100	1500	2000	45		

Parts No.	OptionT17	OptionT16	Specification sheet	Instruction Manual
IFS4-150GG-I			217IF(X)S4-A.pdf	MAN_IUXS4-IFXS4-WIU6002_Inst_en_de_fr_it_es_9864801269.pdf
IFXS4-150GG-I			217IF(X)S4-A.pdf	MAN_IUXS4-IFXS4-WIU6002_Inst_en_de_fr_it_es_9864801269.pdf
IFS4-150IG-I	●	●	217IF(X)S4-A.pdf	MAN_IUXS4-IFXS4-WIU6002_Inst_en_de_fr_it_es_9864801269.pdf
IFXS4-150IG-I	●	●	217IF(X)S4-A.pdf	MAN_IUXS4-IFXS4-WIU6002_Inst_en_de_fr_it_es_9864801269.pdf
IFS4-150II-I	●	●	217IF(X)S4-A.pdf	MAN_IUXS4-IFXS4-WIU6002_Inst_en_de_fr_it_es_9864801269.pdf
IFXS4-150II-I	●	●	217IF(X)S4-A.pdf	MAN_IUXS4-IFXS4-WIU6002_Inst_en_de_fr_it_es_9864801269.pdf
IFS4-150LG-I	●	●	217IF(X)S4-A.pdf	MAN_IUXS4-IFXS4-WIU6002_Inst_en_de_fr_it_es_9864801269.pdf
IFXS4-150LG-I	●	●	217IF(X)S4-A.pdf	MAN_IUXS4-IFXS4-WIU6002_Inst_en_de_fr_it_es_9864801269.pdf
IFS4-150LI-I	●	●	217IF(X)S4-A.pdf	MAN_IUXS4-IFXS4-WIU6002_Inst_en_de_fr_it_es_9864801269.pdf
IFXS4-150LI-I	●	●	217IF(X)S4-A.pdf	MAN_IUXS4-IFXS4-WIU6002_Inst_en_de_fr_it_es_9864801269.pdf
IFS4-150LL-I	●	●	217IF(X)S4-A.pdf	MAN_IUXS4-IFXS4-WIU6002_Inst_en_de_fr_it_es_9864801269.pdf
IFXS4-150LL-I	●	●	217IF(X)S4-A.pdf	MAN_IUXS4-IFXS4-WIU6002_Inst_en_de_fr_it_es_9864801269.pdf

IF Series

Minebea Intec

2023/10/23

IFS4-150NL-I	●	●	217IF(X)S4-A.pdf	MAN_IUXS4-IFXS4-WIU6002_Inst_en_de_fr_it_es_9864801269.pdf
IFXS4-150NL-I	●	●	217IF(X)S4-A.pdf	MAN_IUXS4-IFXS4-WIU6002_Inst_en_de_fr_it_es_9864801269.pdf
IFS4-150NN-I	●	●	217IF(X)S4-A.pdf	MAN_IUXS4-IFXS4-WIU6002_Inst_en_de_fr_it_es_9864801269.pdf
IFXS4-150NN-I	●	●	217IF(X)S4-A.pdf	MAN_IUXS4-IFXS4-WIU6002_Inst_en_de_fr_it_es_9864801269.pdf
IFS4-150RN-I	●	●	217IF(X)S4-A.pdf	MAN_IUXS4-IFXS4-WIU6002_Inst_en_de_fr_it_es_9864801269.pdf
IFXS4-150RN-I	●	●	217IF(X)S4-A.pdf	MAN_IUXS4-IFXS4-WIU6002_Inst_en_de_fr_it_es_9864801269.pdf
IFS4-150RR-I	●	●	217IF(X)S4-A.pdf	MAN_IUXS4-IFXS4-WIU6002_Inst_en_de_fr_it_es_9864801269.pdf
IFXS4-150RR-I	●	●	217IF(X)S4-A.pdf	MAN_IUXS4-IFXS4-WIU6002_Inst_en_de_fr_it_es_9864801269.pdf
IFS4-150WR-I			217IF(X)S4-A.pdf	MAN_IUXS4-IFXS4-WIU6002_Inst_en_de_fr_it_es_9864801269.pdf
IFXS4-150WR-I			217IF(X)S4-A.pdf	MAN_IUXS4-IFXS4-WIU6002_Inst_en_de_fr_it_es_9864801269.pdf
IFS4-300GG-I			217IF(X)S4-A.pdf	MAN_IUXS4-IFXS4-WIU6002_Inst_en_de_fr_it_es_9864801269.pdf
IFXS4-300GG-I			217IF(X)S4-A.pdf	MAN_IUXS4-IFXS4-WIU6002_Inst_en_de_fr_it_es_9864801269.pdf
IFS4-300IG-I	●	●	217IF(X)S4-A.pdf	MAN_IUXS4-IFXS4-WIU6002_Inst_en_de_fr_it_es_9864801269.pdf
IFXS4-300IG-I	●	●	217IF(X)S4-A.pdf	MAN_IUXS4-IFXS4-WIU6002_Inst_en_de_fr_it_es_9864801269.pdf
IFS4-300II-I	●	●	217IF(X)S4-A.pdf	MAN_IUXS4-IFXS4-WIU6002_Inst_en_de_fr_it_es_9864801269.pdf
IFXS4-300II-I	●	●	217IF(X)S4-A.pdf	MAN_IUXS4-IFXS4-WIU6002_Inst_en_de_fr_it_es_9864801269.pdf
IFS4-300LG-I	●	●	217IF(X)S4-A.pdf	MAN_IUXS4-IFXS4-WIU6002_Inst_en_de_fr_it_es_9864801269.pdf
IFXS4-300LG-I	●	●	217IF(X)S4-A.pdf	MAN_IUXS4-IFXS4-WIU6002_Inst_en_de_fr_it_es_9864801269.pdf
IFS4-300LI-I	●	●	217IF(X)S4-A.pdf	MAN_IUXS4-IFXS4-WIU6002_Inst_en_de_fr_it_es_9864801269.pdf
IFXS4-300LI-I	●	●	217IF(X)S4-A.pdf	MAN_IUXS4-IFXS4-WIU6002_Inst_en_de_fr_it_es_9864801269.pdf
IFS4-300LL-I	●	●	217IF(X)S4-A.pdf	MAN_IUXS4-IFXS4-WIU6002_Inst_en_de_fr_it_es_9864801269.pdf
IFXS4-300LL-I	●	●	217IF(X)S4-A.pdf	MAN_IUXS4-IFXS4-WIU6002_Inst_en_de_fr_it_es_9864801269.pdf

IF Series

Minebea Intec

2023/10/23

IFS4-300NL-I	●	●	217IF(X)S4-A.pdf	MAN_IUXS4-IFXS4-WIU6002_Inst_en_de_fr_it_es_9864801269.pdf
IFXS4-300NL-I	●	●	217IF(X)S4-A.pdf	MAN_IUXS4-IFXS4-WIU6002_Inst_en_de_fr_it_es_9864801269.pdf
IFS4-300NN-I	●	●	217IF(X)S4-A.pdf	MAN_IUXS4-IFXS4-WIU6002_Inst_en_de_fr_it_es_9864801269.pdf
IFXS4-300NN-I	●	●	217IF(X)S4-A.pdf	MAN_IUXS4-IFXS4-WIU6002_Inst_en_de_fr_it_es_9864801269.pdf
IFS4-300RN-I	●	●	217IF(X)S4-A.pdf	MAN_IUXS4-IFXS4-WIU6002_Inst_en_de_fr_it_es_9864801269.pdf
IFXS4-300RN-I	●	●	217IF(X)S4-A.pdf	MAN_IUXS4-IFXS4-WIU6002_Inst_en_de_fr_it_es_9864801269.pdf
IFS4-300RR-I	●	●	217IF(X)S4-A.pdf	MAN_IUXS4-IFXS4-WIU6002_Inst_en_de_fr_it_es_9864801269.pdf
IFXS4-300RR-I	●	●	217IF(X)S4-A.pdf	MAN_IUXS4-IFXS4-WIU6002_Inst_en_de_fr_it_es_9864801269.pdf
IFS4-300WR-I			217IF(X)S4-A.pdf	MAN_IUXS4-IFXS4-WIU6002_Inst_en_de_fr_it_es_9864801269.pdf
IFXS4-300WR-I			217IF(X)S4-A.pdf	MAN_IUXS4-IFXS4-WIU6002_Inst_en_de_fr_it_es_9864801269.pdf
IFS4-600GG-I			217IF(X)S4-A.pdf	MAN_IUXS4-IFXS4-WIU6002_Inst_en_de_fr_it_es_9864801269.pdf
IFXS4-600GG-I			217IF(X)S4-A.pdf	MAN_IUXS4-IFXS4-WIU6002_Inst_en_de_fr_it_es_9864801269.pdf
IFS4-600IG-I	●	●	217IF(X)S4-A.pdf	MAN_IUXS4-IFXS4-WIU6002_Inst_en_de_fr_it_es_9864801269.pdf
IFXS4-600IG-I	●	●	217IF(X)S4-A.pdf	MAN_IUXS4-IFXS4-WIU6002_Inst_en_de_fr_it_es_9864801269.pdf
IFS4-600II-I	●	●	217IF(X)S4-A.pdf	MAN_IUXS4-IFXS4-WIU6002_Inst_en_de_fr_it_es_9864801269.pdf
IFXS4-600II-I	●	●	217IF(X)S4-A.pdf	MAN_IUXS4-IFXS4-WIU6002_Inst_en_de_fr_it_es_9864801269.pdf
IFS4-600LG-I	●	●	217IF(X)S4-A.pdf	MAN_IUXS4-IFXS4-WIU6002_Inst_en_de_fr_it_es_9864801269.pdf
IFXS4-600LG-I	●	●	217IF(X)S4-A.pdf	MAN_IUXS4-IFXS4-WIU6002_Inst_en_de_fr_it_es_9864801269.pdf
IFS4-600LI-I	●	●	217IF(X)S4-A.pdf	MAN_IUXS4-IFXS4-WIU6002_Inst_en_de_fr_it_es_9864801269.pdf
IFXS4-600LI-I	●	●	217IF(X)S4-A.pdf	MAN_IUXS4-IFXS4-WIU6002_Inst_en_de_fr_it_es_9864801269.pdf
IFS4-600LL-I	●	●	217IF(X)S4-A.pdf	MAN_IUXS4-IFXS4-WIU6002_Inst_en_de_fr_it_es_9864801269.pdf
IFXS4-600LL-I	●	●	217IF(X)S4-A.pdf	MAN_IUXS4-IFXS4-WIU6002_Inst_en_de_fr_it_es_9864801269.pdf
IFS4-600LL-I			217IF(X)S4-A.pdf	MAN_IUXS4-IFXS4-WIU6002_Inst_en_de_fr_it_es_9864801269.pdf

IF Series

Minebea Intec

2023/10/23

IFS4-600NL-I	●	●	A.pdf	WIU6002_Inst_en_de_fr_it_es_9864801269.pdf
IFXS4-600NL-I	●	●	217IF(X)S4-A.pdf	MAN_IUXS4-IFXS4-WIU6002_Inst_en_de_fr_it_es_9864801269.pdf
IFS4-600NN-I	●	●	217IF(X)S4-A.pdf	MAN_IUXS4-IFXS4-WIU6002_Inst_en_de_fr_it_es_9864801269.pdf
IFXS4-600NN-I	●	●	217IF(X)S4-A.pdf	MAN_IUXS4-IFXS4-WIU6002_Inst_en_de_fr_it_es_9864801269.pdf
IFS4-600RN-I	●	●	217IF(X)S4-A.pdf	MAN_IUXS4-IFXS4-WIU6002_Inst_en_de_fr_it_es_9864801269.pdf
IFXS4-600RN-I	●	●	217IF(X)S4-A.pdf	MAN_IUXS4-IFXS4-WIU6002_Inst_en_de_fr_it_es_9864801269.pdf
IFS4-600RR-I	●	●	217IF(X)S4-A.pdf	MAN_IUXS4-IFXS4-WIU6002_Inst_en_de_fr_it_es_9864801269.pdf
IFXS4-600RR-I	●	●	217IF(X)S4-A.pdf	MAN_IUXS4-IFXS4-WIU6002_Inst_en_de_fr_it_es_9864801269.pdf
IFS4-600WR-I			217IF(X)S4-A.pdf	MAN_IUXS4-IFXS4-WIU6002_Inst_en_de_fr_it_es_9864801269.pdf
IFXS4-600WR-I			217IF(X)S4-A.pdf	MAN_IUXS4-IFXS4-WIU6002_Inst_en_de_fr_it_es_9864801269.pdf
IFS4-1000GG-I			217IF(X)S4-A.pdf	MAN_IUXS4-IFXS4-WIU6002_Inst_en_de_fr_it_es_9864801269.pdf
IFXS4-1000GG-I			217IF(X)S4-A.pdf	MAN_IUXS4-IFXS4-WIU6002_Inst_en_de_fr_it_es_9864801269.pdf
IFS4-1000IG-I	●	●	217IF(X)S4-A.pdf	MAN_IUXS4-IFXS4-WIU6002_Inst_en_de_fr_it_es_9864801269.pdf
IFXS4-1000IG-I	●	●	217IF(X)S4-A.pdf	MAN_IUXS4-IFXS4-WIU6002_Inst_en_de_fr_it_es_9864801269.pdf
IFS4-1000II-I	●	●	217IF(X)S4-A.pdf	MAN_IUXS4-IFXS4-WIU6002_Inst_en_de_fr_it_es_9864801269.pdf
IFXS4-1000II-I	●	●	217IF(X)S4-A.pdf	MAN_IUXS4-IFXS4-WIU6002_Inst_en_de_fr_it_es_9864801269.pdf
IFS4-1000LG-I	●	●	217IF(X)S4-A.pdf	MAN_IUXS4-IFXS4-WIU6002_Inst_en_de_fr_it_es_9864801269.pdf
IFXS4-1000LG-I	●	●	217IF(X)S4-A.pdf	MAN_IUXS4-IFXS4-WIU6002_Inst_en_de_fr_it_es_9864801269.pdf
IFS4-1000LI-I	●	●	217IF(X)S4-A.pdf	MAN_IUXS4-IFXS4-WIU6002_Inst_en_de_fr_it_es_9864801269.pdf
IFXS4-1000LI-I	●	●	217IF(X)S4-A.pdf	MAN_IUXS4-IFXS4-WIU6002_Inst_en_de_fr_it_es_9864801269.pdf
IFS4-1000LL-I	●	●	217IF(X)S4-A.pdf	MAN_IUXS4-IFXS4-WIU6002_Inst_en_de_fr_it_es_9864801269.pdf
IFXS4-1000LL-I	●	●	217IF(X)S4-A.pdf	MAN_IUXS4-IFXS4-WIU6002_Inst_en_de_fr_it_es_9864801269.pdf
IFS4-1000NL-I	●	●	217IF(X)S4-A.pdf	MAN_IUXS4-IFXS4-WIU6002_Inst_en_de_fr_it_es_9864801269.pdf

IF Series

Minebea Intec

2023/10/23

IFXS4-1000NL-I	●	●	217IF(X)S4-A.pdf	MAN_IUXS4-IFXS4-WIU6002_Inst_en_de_fr_it_es_9864801269.pdf
IFS4-1000NN-I	●	●	217IF(X)S4-A.pdf	MAN_IUXS4-IFXS4-WIU6002_Inst_en_de_fr_it_es_9864801269.pdf
IFXS4-1000NN-I	●	●	217IF(X)S4-A.pdf	MAN_IUXS4-IFXS4-WIU6002_Inst_en_de_fr_it_es_9864801269.pdf
IFS4-1000RN-I	●	●	217IF(X)S4-A.pdf	MAN_IUXS4-IFXS4-WIU6002_Inst_en_de_fr_it_es_9864801269.pdf
IFXS4-1000RN-I	●	●	217IF(X)S4-A.pdf	MAN_IUXS4-IFXS4-WIU6002_Inst_en_de_fr_it_es_9864801269.pdf
IFS4-1000RR-I	●	●	217IF(X)S4-A.pdf	MAN_IUXS4-IFXS4-WIU6002_Inst_en_de_fr_it_es_9864801269.pdf
IFXS4-1000RR-I	●	●	217IF(X)S4-A.pdf	MAN_IUXS4-IFXS4-WIU6002_Inst_en_de_fr_it_es_9864801269.pdf
IFS4-1000WR-I			217IF(X)S4-A.pdf	MAN_IUXS4-IFXS4-WIU6002_Inst_en_de_fr_it_es_9864801269.pdf
IFXS4-1000WR-I			217IF(X)S4-A.pdf	MAN_IUXS4-IFXS4-WIU6002_Inst_en_de_fr_it_es_9864801269.pdf
IFS4-1500II-I	●	●	217IF(X)S4-A.pdf	MAN_IUXS4-IFXS4-WIU6002_Inst_en_de_fr_it_es_9864801269.pdf
IFXS4-1500II-I	●	●	217IF(X)S4-A.pdf	MAN_IUXS4-IFXS4-WIU6002_Inst_en_de_fr_it_es_9864801269.pdf
IFS4-1500LG-I	●	●	217IF(X)S4-A.pdf	MAN_IUXS4-IFXS4-WIU6002_Inst_en_de_fr_it_es_9864801269.pdf
IFXS4-1500LG-I	●	●	217IF(X)S4-A.pdf	MAN_IUXS4-IFXS4-WIU6002_Inst_en_de_fr_it_es_9864801269.pdf
IFS4-1500LI-I	●	●	217IF(X)S4-A.pdf	MAN_IUXS4-IFXS4-WIU6002_Inst_en_de_fr_it_es_9864801269.pdf
IFXS4-1500LI-I	●	●	217IF(X)S4-A.pdf	MAN_IUXS4-IFXS4-WIU6002_Inst_en_de_fr_it_es_9864801269.pdf
IFS4-1500LL-I	●	●	217IF(X)S4-A.pdf	MAN_IUXS4-IFXS4-WIU6002_Inst_en_de_fr_it_es_9864801269.pdf
IFXS4-1500LL-I	●	●	217IF(X)S4-A.pdf	MAN_IUXS4-IFXS4-WIU6002_Inst_en_de_fr_it_es_9864801269.pdf
IFS4-1500NL-I	●	●	217IF(X)S4-A.pdf	MAN_IUXS4-IFXS4-WIU6002_Inst_en_de_fr_it_es_9864801269.pdf
IFXS4-1500NL-I	●	●	217IF(X)S4-A.pdf	MAN_IUXS4-IFXS4-WIU6002_Inst_en_de_fr_it_es_9864801269.pdf
IFS4-1500NN-I	●	●	217IF(X)S4-A.pdf	MAN_IUXS4-IFXS4-WIU6002_Inst_en_de_fr_it_es_9864801269.pdf
IFXS4-1500NN-I	●	●	217IF(X)S4-A.pdf	MAN_IUXS4-IFXS4-WIU6002_Inst_en_de_fr_it_es_9864801269.pdf
IFS4-1500RN-I	●	●	217IF(X)S4-A.pdf	MAN_IUXS4-IFXS4-WIU6002_Inst_en_de_fr_it_es_9864801269.pdf

IF Series

Minebea Intec

2023/10/23

IFXS4-1500RN-I	●	●	217IF(X)S4-A.pdf	MAN_IUXS4-IFXS4-WIU6002_Inst_en_de_fr_it_es_9864801269.pdf
IFS4-1500RR-I	●	●	217IF(X)S4-A.pdf	MAN_IUXS4-IFXS4-WIU6002_Inst_en_de_fr_it_es_9864801269.pdf
IFXS4-1500RR-I	●	●	217IF(X)S4-A.pdf	MAN_IUXS4-IFXS4-WIU6002_Inst_en_de_fr_it_es_9864801269.pdf
IFS4-1500WR-I			217IF(X)S4-A.pdf	MAN_IUXS4-IFXS4-WIU6002_Inst_en_de_fr_it_es_9864801269.pdf
IFXS4-1500WR-I			217IF(X)S4-A.pdf	MAN_IUXS4-IFXS4-WIU6002_Inst_en_de_fr_it_es_9864801269.pdf
IFS4-3000LL-I		●	217IF(X)S4-A.pdf	MAN_IUXS4-IFXS4-WIU6002_Inst_en_de_fr_it_es_9864801269.pdf
IFXS4-3000LL-I		●	217IF(X)S4-A.pdf	MAN_IUXS4-IFXS4-WIU6002_Inst_en_de_fr_it_es_9864801269.pdf
IFS4-3000NL-I		●	217IF(X)S4-A.pdf	MAN_IUXS4-IFXS4-WIU6002_Inst_en_de_fr_it_es_9864801269.pdf
IFXS4-3000NL-I		●	217IF(X)S4-A.pdf	MAN_IUXS4-IFXS4-WIU6002_Inst_en_de_fr_it_es_9864801269.pdf
IFS4-3000NN-I		●	217IF(X)S4-A.pdf	MAN_IUXS4-IFXS4-WIU6002_Inst_en_de_fr_it_es_9864801269.pdf
IFXS4-3000NN-I		●	217IF(X)S4-A.pdf	MAN_IUXS4-IFXS4-WIU6002_Inst_en_de_fr_it_es_9864801269.pdf
IFS4-3000RN-I		●	217IF(X)S4-A.pdf	MAN_IUXS4-IFXS4-WIU6002_Inst_en_de_fr_it_es_9864801269.pdf
IFXS4-3000RN-I		●	217IF(X)S4-A.pdf	MAN_IUXS4-IFXS4-WIU6002_Inst_en_de_fr_it_es_9864801269.pdf
IFS4-3000RR-I		●	217IF(X)S4-A.pdf	MAN_IUXS4-IFXS4-WIU6002_Inst_en_de_fr_it_es_9864801269.pdf
IFXS4-3000RR-I		●	217IF(X)S4-A.pdf	MAN_IUXS4-IFXS4-WIU6002_Inst_en_de_fr_it_es_9864801269.pdf
IFS4-3000WR-I			217IF(X)S4-A.pdf	MAN_IUXS4-IFXS4-WIU6002_Inst_en_de_fr_it_es_9864801269.pdf
IFXS4-3000WR-I			217IF(X)S4-A.pdf	MAN_IUXS4-IFXS4-WIU6002_Inst_en_de_fr_it_es_9864801269.pdf

External view

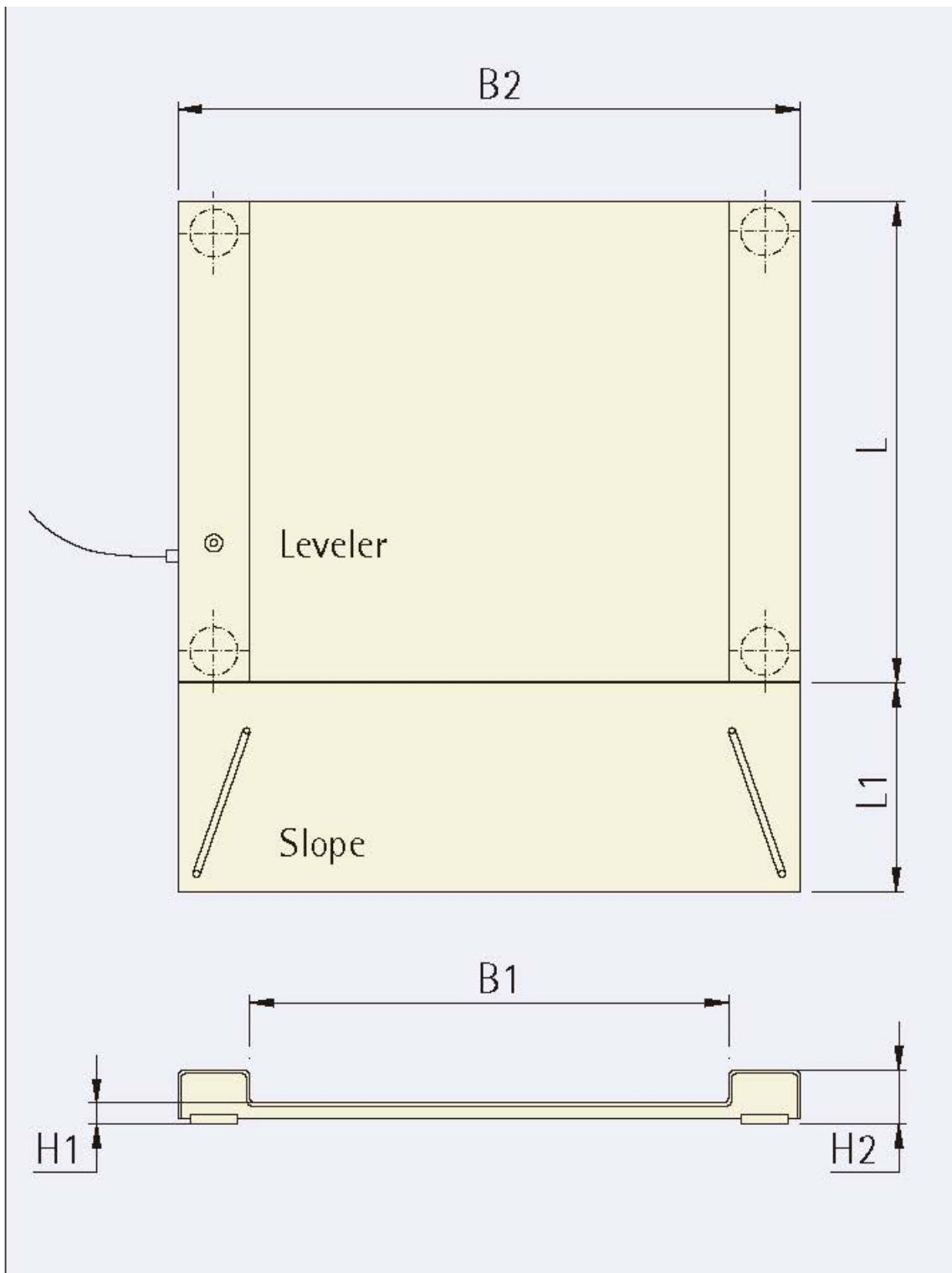
External Dimensions



IF Series

Minebea Intec

2023/10/23



[Click here to visit the website of Intec Germany.](#)