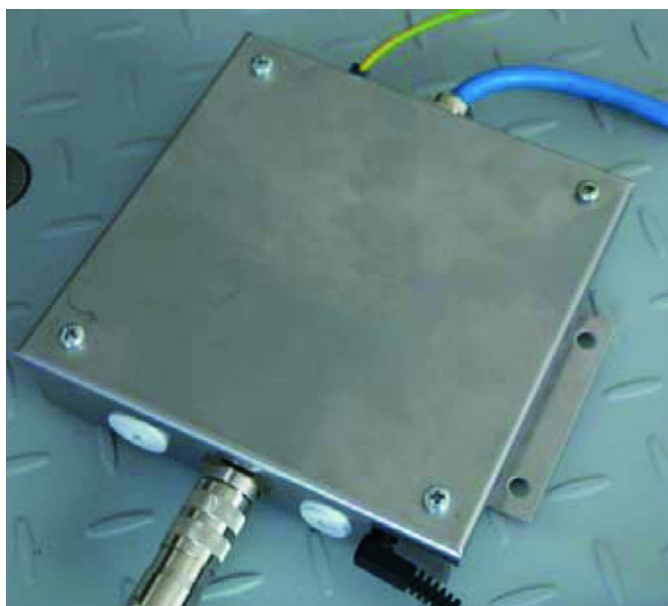


Communication barrier

Minebea Intec

2023/03/22

Features



- RS-232C to RS-232C bidirectional RS-232C standard distance communication barrier
- RS-422 to RS-232 bi-directional long-distance communication barrier (max. 1000m)
- Can be changed to RS-485 specification

Parts No.	Compatible models	Power supply	Cable length (primary side)	Cable length (secondary side)	Explosion-proof construction	Operating temp. range lower limit [deg.C]
YDI05-Z	CAIXS2, SignumEx, IS-X	Not required or AC100V-240V Power consumption 8VA	M54 1~1000m selectable	YCC01-0019M3 or YCC01-0909ISM5	【ATEX】 II 2GD EEx ib II B/II C	-20

Parts No.	Operating temp. range upper limit [deg.C]	Class of protection	Material
YDI05-Z	50	IP40	Stainless steel

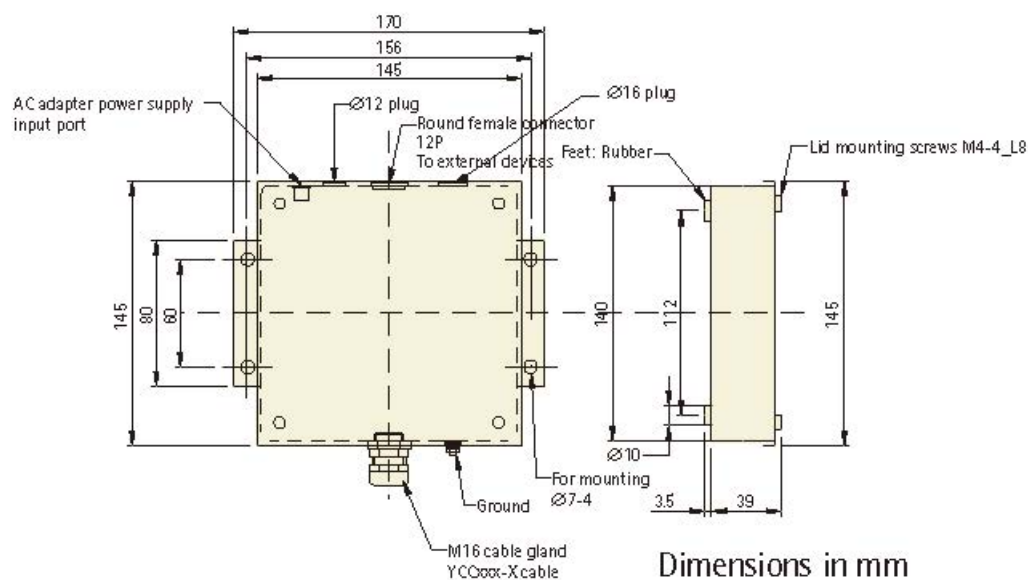
Communication barrier

Minebea Intec

2023/03/22

Parts No.	Size(W) [cm]	Size(D) [cm]	Size(H) [cm]	Specification sheet	Specification sheet2	Instruction Manual
YDI05-Z	17	4.2	14	353YDI05-Z-A24-A.pdf	353YDI05-Z-A26-A.pdf	294-1877-A.pdf

External view



[Click here to visit the website of Intec Germany.](#)