

Tabletop Display

Minebea Intec

2023/03/22

Features



- This product is a weight display that supports both tabletop and stand mounted use
- The panel mounting option allows it to be mounted onto panels
- Capable of displaying weight for both load cell type(standard) and electromagnetic type(optional) measuring instruments
- The CAIS series supports dust/waterproofing of IP68&IP69
- The CAISL series is dustproof and waterproof IP44/gusset connector specification
- Select among 「1・2・3」 based on the required function

Parts No.	Maximum resolution [d]	Accuracy class	Load cell Nominal supply voltage [DC]	Bridge resistor lower limit [Ω]	Bridge resistor upper limit [Ω]	Signal voltage range lower limit [mV]
CAIS1	31250 (Standard)	OIML R76 III	DC8.4V ($\pm 4.2V$) (standard)	83	2000	0
CAISL1	31250 (Standard)	OIML R76 III	DC8.4V ($\pm 4.2V$) (standard)	83	2000	0
CAIS2	31250 (Standard)	OIML R76 III	DC8.4V ($\pm 4.2V$) (standard)	83	2000	0
CAISL2	31250 (Standard)	OIML R76 III	DC8.4V ($\pm 4.2V$) (standard)	83	2000	0
CAIS3	31250 (Standard)	OIML R76 III	DC8.4V ($\pm 4.2V$) (standard)	83	2000	0
CAISL3	31250	OIML R76	DC8.4V ($\pm 4.2V$)	83	2000	0

Tabletop Display

Minebea Intec

2023/03/22

	(Standard)	III	(standard)				
Parts No.	Signal voltage range upper limit [mV]	Zero adjustment range lower limit [mV]	Zero adjustment range upper limit [mV]	Internal resolution	Minimum input sensitivity	Display	Display unit
CAIS1	27.7	4.2	27.7	1/4,000,000 max.	Above 0.672μV/e (For Pind = 0.5)	20mm LCD, 7 digits, 14 segments, backlight	g, kg, t, lb, status symbol
CAISL1	27.7	4.2	27.7	1/4,000,000 max.	Above 0.672μV/e (For Pind = 0.5)	20mm LCD, 7 digits, 14 segments, backlight	g, kg, t, lb, status symbol
CAIS2	27.7	4.2	27.7	1/4,000,000 max.	Above 0.672μV/e (For Pind = 0.5)	20mm LCD, 7 digits, 14 segments, backlight	g, kg, t, lb, status symbol
CAISL2	27.7	4.2	27.7	1/4,000,000 max.	Above 0.672μV/e (For Pind = 0.5)	20mm LCD, 7 digits, 14 segments, backlight	g, kg, t, lb, status symbol
CAIS3	27.7	4.2	27.7	1/4,000,000 max.	Above 0.672μV/e (For Pind = 0.5)	20mm LCD, 7 digits, 14 segments, backlight	g, kg, t, lb, status symbol
CAISL3	27.7	4.2	27.7	1/4,000,000 max.	Above 0.672μV/e (For Pind = 0.5)	20mm LCD, 7 digits, 14 segments, backlight	g, kg, t, lb, status symbol

Parts No.	External power supply	Operating temp. range lower limit [deg.C]	Operating temp. range upper limit [deg.C]	Operating humidity range	Class of protection	Material
CAIS1	AC100-240VAC(-15/+10%), 50-60Hz, 17W 23VA max. with 2m cable	-10	40	Within 85%RH (with no condensation)	IP68/IP69K	Stainless steel JIS SUS304 equivalent Polished finish
CAISL1	AC100-240VAC(-15/+10%), 50-60Hz, 17W 23VA max. with 2m cable	-10	40	Within 85%RH (with no condensation)	IP68/IP69K	Stainless steel JIS SUS304 equivalent

Tabletop Display

Minebea Intec

2023/03/22

				Condensation)		Polished finish
CAIS2	AC100-240VAC(-15/+10%), 50-60Hz, 17W 23VA max. with 2m cable	-10	40	Within 85%RH (with no condensation)	IP68/IP69K	Stainless steel JIS SUS304 equivalent Polished finish
CAISL2	AC100-240VAC(-15/+10%), 50-60Hz, 17W 23VA max. with 2m cable	-10	40	Within 85%RH (with no condensation)	IP68/IP69K	Stainless steel JIS SUS304 equivalent Polished finish
CAIS3	AC100-240VAC(-15/+10%), 50-60Hz, 17W 23VA max. with 2m cable	-10	40	Within 85%RH (with no condensation)	IP68/IP69K	Stainless steel JIS SUS304 equivalent Polished finish
CAISL3	AC100-240VAC(-15/+10%), 50-60Hz, 17W 23VA max. with 2m cable	-10	40	Within 85%RH (with no condensation)	IP68/IP69K	Stainless steel JIS SUS304 equivalent Polished finish

Parts No.	Size(W) [cm]	Size(D) [cm]	Size(H) [cm]	Specification sheet	Instruction Manual
CAIS1	30.2	187	10±1	382CAIS-A.pdf	294-1871-A.pdf
CAISL1	30.2	187	10±1	382CAIS-A.pdf	294-1871-A.pdf
CAIS2	30.2	187	10±1	382CAIS-A.pdf	294-1871-A.pdf
CAISL2	30.2	187	10±1	382CAIS-A.pdf	294-1871-A.pdf
CAIS3	30.2	187	10±1	382CAIS-A.pdf	294-1871-A.pdf
CAISL3	30.2	187	10±1	382CAIS-A.pdf	294-1871-A.pdf

External view

External Dimensions



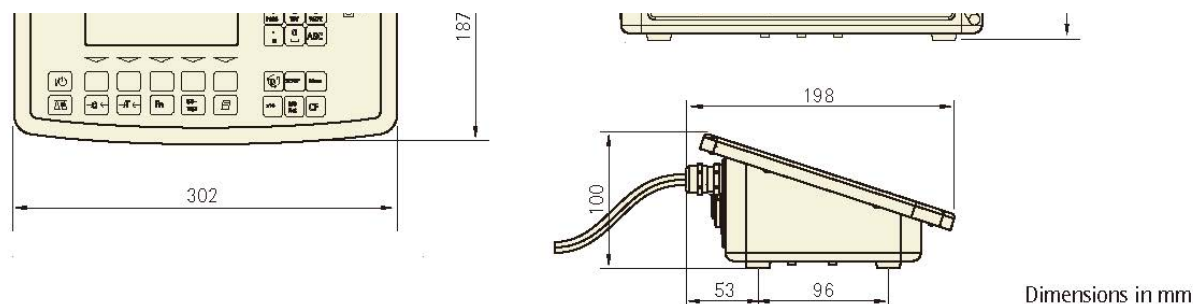
ミネベアミツミ株式会社

Copyright©MinebeaMitsumi Inc. All right reserved.

Tabletop Display

Minebea Intec

2023/03/22



Indicator combination configuration table

Function		Model	CAIS (L) 1	CAIS (L) 2	CAIS (L) 3	
Input	Load Cell Type	None	⊙	⊙	⊙	
	Electromagnetic Type	A7	●	●	●	
Output	COM1	RS-232C	None *1	⊙	⊙	
	COM2	RS-232C	None	X	⊙	
	UniCOM	RS-232C	A1	●	●	●
		RS-422	A2	●	●	●
		RS-485	A3	●	●	●
		4 ~ 20 mA	A9 *2	●	●	●
		Profibus	B1	●	●	●
Ethernet	B9	●	●	●		
GMP compliance printing			X	⊙	⊙	
Ten-key input			X	⊙	⊙	

⊙ Equipped as standard ● Optional

*1 Printers can only be connected to COM1.

*2 4~20 mA output has an output accuracy of approximately 1/700, so cannot be used with electromagnetic types.

[Click here to visit the website of Intec Germany.](#)