

PR6207 Series

Minebea Intec

2023/03/22

Features



- Stainless steel housing: 1.4122
- Completely waterproof IP67

Specification

Specification name	Specification contents
OIML Accuracy class	C3
Accuracy class	0.017%Emax
Safe load limit	150%Emax
Destructive load	> 300%Emax
Rated output	2.0mV/V
Rated output tolerance	< 0.1%Cn
Zero balance	< 1.0%Cn
Reproducibility	< 0.01%Cn

PR6207 Series

Minebea Intec

2023/03/22

Creep	<0.017%Cn
Non-linearity	<0.017%Cn
Hysteresis	<0.018%Cn
Temperature effect on Zero	<0.013%Cn/10K
Temperature effect on Span	<0.008%Cn/10K
Input resistance	350Ω~480Ω
Rated output	355.88Ω~356.12Ω
Insulation resistance	>5000×10 ⁶ Ω
Nominal supply voltage	4~24V
Maximum supply voltage	18
Nominal ambient temperature range	-10℃~+70℃
Usable ambient temperature range	-40℃~+70℃
Storage ambient temperature range	-50℃~+85℃
Class of protection	IP68 / IEC 529 (completely waterproof · water depth 1.5m 10000h)
Material of element	Housing:EN 1.4122(DIN 17440)SUS
Cable specification	Polyethylene, 6 core shielded cable / length 3m / diameter 5.4mm / cable 6 x 0.35mm ²
Wiring specification	Applied voltage +red/-blue Output signal +white/-red Sensing+green/-gray Shield yellow
Accessories	Earth wire 1pc / instruction manual 1pc

Table of P/N

Parts No.	Rated Capacity [kgf]	Weight [kg]	Gross Weight [kg]	Packaged Size(W) [cm]	Packaged Size(L) [cm]	Packaged Size(H) [cm]
PR6207/11 C3	10	0.5	1.0	25	16	10
PR6207/21 C3	20	0.5	1.0	25	16	10
PR6207/51 C3	50	0.5	1.0	25	16	10
PR6207/12 C3	100	0.5	1.0	25	16	10
PR6207/22 C3	200	0.5	1.0	25	16	10

PR6207 Series

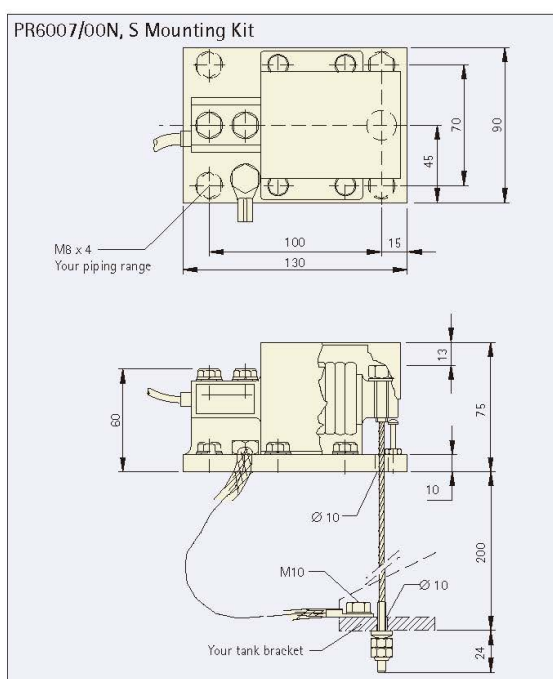
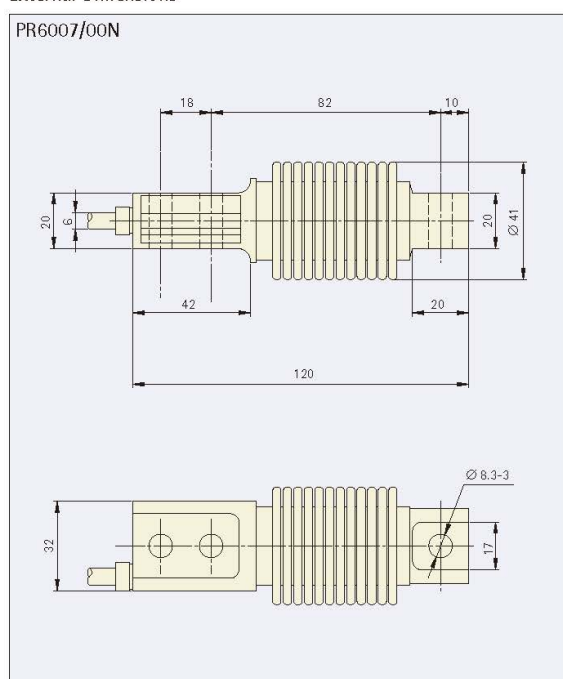
Minebea Intec

2023/03/22

Parts No.	PDF data (outline drawing)	Specification sheet	Instruction Manual
PR6207/11 C3	KT60859-1.pdf	213PR6207-C3.pdf	KT60860-1.pdf
PR6207/21 C3	KT60859-1.pdf	213PR6207-C3.pdf	KT60860-1.pdf
PR6207/51 C3	KT60859-1.pdf	213PR6207-C3.pdf	KT60860-1.pdf
PR6207/12 C3	KT60859-1.pdf	213PR6207-C3.pdf	KT60860-1.pdf
PR6207/22 C3	KT60859-1.pdf	213PR6207-C3.pdf	KT60860-1.pdf

External view

External Dimensions



Dimensions in mm

Model		Destructive Lateral Force (tf)	Permissible Lift Off Protection Force (tf)	Package Size L x W x H (cm)	Weight (kg)	
General Use	Stainless Steel				Net	Gross
PR6007/00N	PR6007/00S	—	—	15 x 11 x 9	1.7	2.1

[Click here to visit the website of Intec Germany.](#)

ミネベアミツミ株式会社

Copyright©MinebeaMitsumi Inc. All right reserved.