

## PR6202 Series

2023/03/22

Minebea Intec

### Features



- Highly corrosion-resistant housing material AISI316L
- Average surface roughness less than 1 $\mu$ m
- Completely waterproof IP68/69K
- Completely water-draining structure(EHEDG compliant)
- Automatic alignment function
- Wide operating temperature range:-40 to +95 $^{\circ}$ C
- Completely water-draining mounting FlexLock PR6002 type available
- Registered design EU 000 210 349-0001/-0002 Japan 2005-478 US 22/222,249

### Specification

Specification name	Specification contents	Specification contents2	Specification contents3
OIML Accuracy class	C1	C1E	C3
Accuracy class	0.03%Emax	0.03%Emax	0.015%Emax
Safe load limit	150%Emax	150%Emax	150%Emax
Destructive load	>300%Emax	>300%Emax	>300%Emax
Rated output	2.0mV/V	2.0mV/V	2.0mV/V

## PR6202 Series

2023/03/22

Minebea Intec

Rated output tolerance	<0.25%Cn	<0.25%Cn	<0.07%Cn
Zero balance	<1.0%Cn	<1.0%Cn	<1.0%Cn
Reproducibility	<0.01%Cn	<0.01%Cn	<0.005%Cn
Creep	<0.03%Cn	<0.03%Cn	<0.015%Cn
Non-linearity	<0.03%Cn	<0.03%Cn	<0.01%Cn
Hysteresis	<0.03%Cn	<0.03%Cn	<0.015%Cn
Temperature effect on Zero	<0.028%Cn/10K	<0.028%Cn/10K	<0.01%Cn/10K
Temperature effect onSpan	<0.02%Cn/10K	<0.02%Cn/10K	<0.01%Cn/10K
Input resistance	1070Ω~1090Ω	1070Ω~1090Ω	1070Ω~1090Ω
Rated output	1008Ω~1012Ω	1008Ω~1012Ω	1009Ω~1011Ω
Insulation resistance	>5000×10 <sup>6</sup> Ω	>5000×10 <sup>6</sup> Ω	>5000×10 <sup>6</sup> Ω
NominalSupply voltage	4~24V	4~24V	4~24V
MaximumSupply voltage	32V	25V	32V
Nominal ambient temperature range	-10℃~+70℃	-10℃~+70℃	-10℃~+55℃
Usable ambient temperature range	-40℃~+95℃	-40℃~+95℃	-40℃~+95℃
Storage ambient temperature range	-40℃~+95℃	-40℃~+95℃	-40℃~+95℃
Explosion-proof certification in Japan	【JPEX】 Ex ia IIC T6 Ga(DEK19.0066/DEKRA)	【JPEX】 Ex ia IIC T6 Ga(DEK19.0066/DEKRA)	【JPEX】 Ex ia IIC T6 Ga(DEK19.0066/DEKRA)
Conforms to overseas explosion protectionStandards	【IECEX】 Ex ia IIC T6 Ga/ 【ATEX】 II 1G Ex ia IIC T6 Ga	【IECEX】 Ex ia IIC T6 Ga/ 【ATEX】 II 1G Ex ia IIC T6 Ga	【IECEX】 Ex ia IIC T6 Ga/ 【ATEX】 II 1G Ex ia IIC T6 Ga
Class of protection	IP68 / IEC 529 (completely waterproof · water depth 1.5m 10000h) /IP69K,DIN 40050 NEMA6	IP68 / IEC 529 (completely waterproof · water depth 1.5m 10000h) /IP69K,DIN 40050 NEMA6	IP68 / IEC 529 (completely waterproof · water depth 1.5m 10000h) /IP69K,DIN 40050 NEMA6
Material of element	Housing:StainlessSteelSUS 316 L {1.4404 (DIN 17440)} nitrogen gas enclosed	Housing:StainlessSteelSUS 316 L {1.4404 (DIN 17440)} nitrogen gas enclosed	Housing:StainlessSteelSUS 316 L {1.4404 (DIN 17440)} nitrogen gas enclosed
CableSpecification	Polyethylene, 4-coreShield cable Length 5m (1 to 10t), 12m (25t to) diameter 5mm / cable 4 × 0.35mm2	Polyethylene, 4-coreShield cable Length 5m (1 to 10t), 12m (25t to) diameter 5mm / cable 4 × 0.35mm2	Polyethylene, 4-coreShield cable Length 5m (1 to 10t), 12m (25t to) diameter 5mm / cable 4 × 0.35mm2
WiringSpecification	Applied voltage +red/-blue OutputSignal +green/-ash	Applied voltage +red/-blue OutputSignal +green/-ash	Applied voltage +red/-blue OutputSignal +green/-ash

Specification contents4

Specification contents5

Specification contents6

## PR6202 Series

2023/03/22

Minebea Intec

C3E	C4	C4E
0.015%Emax	0.012%Emax	0.012%Emax
150%Emax	150%Emax	150%Emax
>300%Emax	>300%Emax	>300%Emax
2.0mV/V	2.0mV/V	2.0mV/V
<0.07%Cn	<0.07%Cn	<0.07%Cn
<1.0%Cn	<1.0%Cn	<1.0%Cn
<0.005%Cn	<0.005%Cn	<0.005%Cn
<0.015%Cn	<0.0125%Cn	<0.0125%Cn
<0.01%Cn	<0.01%Cn	<0.01%Cn
<0.015%Cn	<0.0125%Cn	<0.0125%Cn
<0.01%Cn/10K	<0.007%Cn/10K	<0.007%Cn/10K
<0.01%Cn/10K	<0.008%Cn/10K	<0.008%Cn/10K
1070Ω~1090Ω	1070Ω~1090Ω	1070Ω~1090Ω
1009Ω~1011Ω	1009Ω~1011Ω	1009Ω~1011Ω
>5000×10 <sup>6</sup> Ω	>5000×10 <sup>6</sup> Ω	>5000×10 <sup>6</sup> Ω
4~24V	4~24V	4~24V
25V	32V	25V
-10℃~+55℃	-10℃~+55℃	-10℃~+55℃
-40℃~+95℃	-40℃~+95℃	-40℃~+95℃
-40℃~+95℃	-40℃~+95℃	-40℃~+95℃
【JPEX】 Ex ia IIC T6 Ga(DEK19.0066/DEKRA)	【JPEX】 Ex ia IIC T6 Ga(DEK19.0066/DEKRA)	【JPEX】 Ex ia IIC T6 Ga(DEK19.0066/DEKRA)
【IECEX】 Ex ia IIC T6 Ga/ 【ATEX】 II 1G Ex ia IIC T6 Ga	【IECEX】 Ex ia IIC T6 Ga/ 【ATEX】 II 1G Ex ia IIC T6 Ga	【IECEX】 Ex ia IIC T6 Ga/ 【ATEX】 II 1G Ex ia IIC T6 Ga
IP68 / IEC 529 (completely waterproof · water depth 1.5m 10000h) /IP69K,DIN 40050 NEMA6	IP68 / IEC 529 (completely waterproof · water depth 1.5m 10000h) /IP69K,DIN 40050 NEMA6	IP68 / IEC 529 (completely waterproof · water depth 1.5m 10000h) /IP69K,DIN 40050 NEMA6
Housing:StainlessSteelSUS 316 L {1.4404 (DIN 17440)} nitrogen gas enclosed	Housing:StainlessSteelSUS 316 L {1.4404 (DIN 17440)} nitrogen gas enclosed	Housing:StainlessSteelSUS 316 L {1.4404 (DIN 17440)} nitrogen gas enclosed
Polyethylene, 4-coreShield cable Length 5m (1 to 10t), 12m (25t to) diameter 5mm / cable 4 × 0.35mm <sup>2</sup>	Polyethylene, 4-coreShield cable Length 5m (1 to 10t), 12m (25t to) diameter 5mm / cable 4 × 0.35mm <sup>2</sup>	Polyethylene, 4-coreShield cable Length 5m (1 to 10t), 12m (25t to) diameter 5mm / cable 4 × 0.35mm <sup>2</sup>
Applied voltage +red/-blue OutputSignal +green/-ash	Applied voltage +red/-blue OutputSignal +green/-ash	Applied voltage +red/-blue OutputSignal +green/-ash

### Table of P/N

ミネベアミツミ株式会社

Copyright©MinebeaMitsumi Inc. All right reserved.

## PR6202 Series

2023/03/22

Minebea Intec

TABLE 01 / 1

Parts No.	Rated Capacity [tf]	Weight [kg]	Gross Weight [kg]	Packaged Size(W) [cm]	Packaged Size(L) [cm]	Packaged Size(H) [cm]
PR6202/1t/C1	1	1.2	2.1	24	24	15.5
PR6202/2t/C1	2	1.2	2.1	24	24	15.5
PR6202/2t/C3	2	1.2	2.1	24	24	15.5
PR6202/4t/C1	4	1.2	2.1	24	24	15.5
PR6202/4t/C3	4	1.2	2.1	24	24	15.5
PR6202/4t/C4	4	1.2	2.1	24	24	15.5
PR6202/6t/C1	6	1.2	2.1	24	24	15.5
PR6202/6t/C3	6	1.2	2.1	24	24	15.5
PR6202/6t/C4	6	1.2	2.1	24	24	15.5
PR6202/10t/C1	10	1.6	2.5	24	24	15.5
PR6202/10t/C3	10	1.6	2.5	24	24	15.5
PR6202/10t/C4	10	1.6	2.5	24	24	15.5
PR6202/25t/C1	25	2.8	3.7	24	24	15.5
PR6202/25t/C3	25	2.8	3.7	24	24	15.5
PR6202/25t/C3	25	2.8	3.7	24	24	15.5
PR6202/50t/C1	50	3.2	4.1	24	24	15.5
PR6202/50t/C3	50	3.2	4.1	24	24	15.5
PR6202/50t/C4	50	3.2	4.1	24	24	15.5
PR6202/1t/C1E	1	1.2	2.1	24	24	15.5
PR6202/2t/C1E	2	1.2	2.1	24	24	15.5
PR6202/2t/C3E	2	1.2	2.1	24	24	15.5
PR6202/4t/C1E	4	1.2	2.1	24	24	15.5
PR6202/4t/C3E	4	1.2	2.1	24	24	15.5
PR6202/4t/C4E	4	1.2	2.1	24	24	15.5
PR6202/6t/C1E	6	1.2	2.1	24	24	15.5
PR6202/6t/C3E	6	1.2	2.1	24	24	15.5
PR6202/6t/C4E	6	1.2	2.1	24	24	15.5
PR6202/10t/C1E	10	1.6	2.5	24	24	15.5
PR6202/10t/C3E	10	1.6	2.5	24	24	15.5
PR6202/10t/C4E	10	1.6	2.5	24	24	15.5
PR6202/25t/C1E	25	2.8	3.7	24	24	15.5
PR6202/25t/C3E	25	2.8	3.7	24	24	15.5
PR6202/25t/C4E	25	2.8	3.7	24	24	15.5
PR6202/50t/C1E	50	3.2	4.1	24	24	15.5

## PR6202 Series

2023/03/22

Minebea Intec

PR6202/50t/C3E	50	3.2	4.1	24	24	15.5
PR6202/50t/C4E	50	3.2	4.1	24	24	15.5

Parts No.	PDF data (outline drawing)	Specification sheet	Instruction Manual
PR6202/1t/C1	<a href="#">KT54531-2.pdf</a>	<a href="#">211PR6202-A.pdf</a>	<a href="#">KT60856-1.pdf</a>
PR6202/2t/C1	<a href="#">KT54531-2.pdf</a>	<a href="#">211PR6202-A.pdf</a>	<a href="#">KT60856-1.pdf</a>
PR6202/2t/C3	<a href="#">KT54531-2.pdf</a>	<a href="#">211PR6202-A.pdf</a>	<a href="#">KT60856-1.pdf</a>
PR6202/4t/C1	<a href="#">KT54531-2.pdf</a>	<a href="#">211PR6202-A.pdf</a>	<a href="#">KT60856-1.pdf</a>
PR6202/4t/C3	<a href="#">KT54531-2.pdf</a>	<a href="#">211PR6202-A.pdf</a>	<a href="#">KT60856-1.pdf</a>
PR6202/4t/C4	<a href="#">KT54531-2.pdf</a>	<a href="#">211PR6202-A.pdf</a>	<a href="#">KT60856-1.pdf</a>
PR6202/6t/C1	<a href="#">KT54531-2.pdf</a>	<a href="#">211PR6202-A.pdf</a>	<a href="#">KT60856-1.pdf</a>
PR6202/6t/C3	<a href="#">KT54531-2.pdf</a>	<a href="#">211PR6202-A.pdf</a>	<a href="#">KT60856-1.pdf</a>
PR6202/6t/C4	<a href="#">KT54531-2.pdf</a>	<a href="#">211PR6202-A.pdf</a>	<a href="#">KT60856-1.pdf</a>
PR6202/10t/C1	<a href="#">KT54531-2.pdf</a>	<a href="#">211PR6202-A.pdf</a>	<a href="#">KT60856-1.pdf</a>
PR6202/10t/C3	<a href="#">KT54531-2.pdf</a>	<a href="#">211PR6202-A.pdf</a>	<a href="#">KT60856-1.pdf</a>
PR6202/10t/C4	<a href="#">KT54531-2.pdf</a>	<a href="#">211PR6202-A.pdf</a>	<a href="#">KT60856-1.pdf</a>
PR6202/25t/C1	<a href="#">KT54530-2.pdf</a>	<a href="#">211PR6202-A.pdf</a>	<a href="#">KT60856-1.pdf</a>
PR6202/25t/C3	<a href="#">KT54530-2.pdf</a>	<a href="#">211PR6202-A.pdf</a>	<a href="#">KT60856-1.pdf</a>
PR6202/25t/C3	<a href="#">KT54530-2.pdf</a>	<a href="#">211PR6202-A.pdf</a>	<a href="#">KT60856-1.pdf</a>
PR6202/50t/C1	<a href="#">KT54530-2.pdf</a>	<a href="#">211PR6202-A.pdf</a>	<a href="#">KT60856-1.pdf</a>
PR6202/50t/C3	<a href="#">KT54530-2.pdf</a>	<a href="#">211PR6202-A.pdf</a>	<a href="#">KT60856-1.pdf</a>
PR6202/50t/C4	<a href="#">KT54530-2.pdf</a>	<a href="#">211PR6202-A.pdf</a>	<a href="#">KT60856-1.pdf</a>
PR6202/1t/C1E	<a href="#">KT54531-2.pdf</a>	<a href="#">211PR6202-A.pdf</a>	<a href="#">KT60856-1.pdf</a>
PR6202/2t/C1E	<a href="#">KT54531-2.pdf</a>	<a href="#">211PR6202-A.pdf</a>	<a href="#">KT60856-1.pdf</a>
PR6202/2t/C3E	<a href="#">KT54531-2.pdf</a>	<a href="#">211PR6202-A.pdf</a>	<a href="#">KT60856-1.pdf</a>
PR6202/4t/C1E	<a href="#">KT54531-2.pdf</a>	<a href="#">211PR6202-A.pdf</a>	<a href="#">KT60856-1.pdf</a>
PR6202/4t/C3E	<a href="#">KT54531-2.pdf</a>	<a href="#">211PR6202-A.pdf</a>	<a href="#">KT60856-1.pdf</a>
PR6202/4t/C4E	<a href="#">KT54531-2.pdf</a>	<a href="#">211PR6202-A.pdf</a>	<a href="#">KT60856-1.pdf</a>
PR6202/6t/C1E	<a href="#">KT54531-2.pdf</a>	<a href="#">211PR6202-A.pdf</a>	<a href="#">KT60856-1.pdf</a>
PR6202/6t/C3E	<a href="#">KT54531-2.pdf</a>	<a href="#">211PR6202-A.pdf</a>	<a href="#">KT60856-1.pdf</a>
PR6202/6t/C4E	<a href="#">KT54531-2.pdf</a>	<a href="#">211PR6202-A.pdf</a>	<a href="#">KT60856-1.pdf</a>
PR6202/10t/C1E	<a href="#">KT54531-2.pdf</a>	<a href="#">211PR6202-A.pdf</a>	<a href="#">KT60856-1.pdf</a>
PR6202/10t/C3E	<a href="#">KT54531-2.pdf</a>	<a href="#">211PR6202-A.pdf</a>	<a href="#">KT60856-1.pdf</a>
PR6202/10t/C4E	<a href="#">KT54531-2.pdf</a>	<a href="#">211PR6202-A.pdf</a>	<a href="#">KT60856-1.pdf</a>
PR6202/25t/C1E	<a href="#">KT54530-2.pdf</a>	<a href="#">211PR6202-A.pdf</a>	<a href="#">KT60856-1.pdf</a>
PR6202/25t/C3E	<a href="#">KT54530-2.pdf</a>	<a href="#">211PR6202-A.pdf</a>	<a href="#">KT60856-1.pdf</a>
PR6202/25t/C4E	<a href="#">KT54530-2.pdf</a>	<a href="#">211PR6202-A.pdf</a>	<a href="#">KT60856-1.pdf</a>
PR6202/50t/C1E	<a href="#">KT54530-2.pdf</a>	<a href="#">211PR6202-A.pdf</a>	<a href="#">KT60856-1.pdf</a>

## PR6202 Series

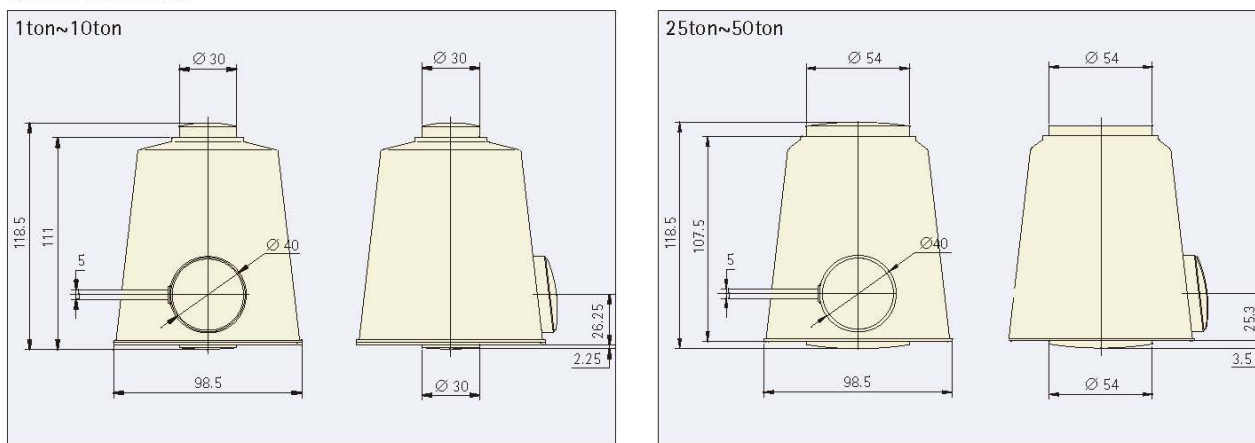
2023/03/22

Minebea Intec

PR6202/50t/C3E	<a href="#">KT54530-2.pdf</a>	<a href="#">211PR6202-A.pdf</a>	<a href="#">KT60856-1.pdf</a>
PR6202/50t/C4E	<a href="#">KT54530-2.pdf</a>	<a href="#">211PR6202-A.pdf</a>	<a href="#">KT60856-1.pdf</a>

### External view

External Dimensions



Dimensions in mm

[Click here to visit the website of Intec Germany.](#)