

PR6201 Series Compression Type High Accuracy Standard Stainless Steel Load Cell

2023/03/22

Minebea Intec

Features



- Stainless steel load cells for high capacity
- Stainless steel housing:SUS304 equivalent
- Completely waterproof IP68

Specification

PR6201 Series Compression Type High Accuracy
Standard Stainless Steel Load Cell

2023/03/22

Minebea Intec

Specification name	Specification contents	Specification contents2	Specification contents3
OIML Accuracy class	L(100t)	N(100t)	N(200t)
Accuracy class	0.06E _{max} ~0.5E _{max}	0.06E _{max} ~0.5E _{max}	0.06E _{max} ~0.5E _{max}
Safe load limit	400%E _{max}	200%E _{max}	200%E _{max}
Destructive load	>500%E _{max}	>500%E _{max}	>500%E _{max}
Rated output	1.0mV/V~2.6mV/V	1.0mV/V~2.6mV/V	1.0mV/V~2.6mV/V
Rated output tolerance	<1.0%C _n	0.25%C _n	0.25%C _n
Zero balance	<2.0%C _n	<1.0%C _n	<1.0%C _n
Reproducibility	<0.02%C _n	<0.01%C _n	<0.01%C _n
Creep	<0.05%C _n	<0.03%C _n	<0.03%C _n
Non-linearity	<0.3%C _n	<0.05C _n /10K	<0.05C _n /10K
Hysteresis	<0.25%C _n	<0.04C _n /10K	<0.06C _n /10K
Temperature effect on Zero	<0.2%C _n /10K	<0.06C _n /10K	<0.06C _n /10K
Temperature effect on Span	<0.1%C _n /10K	<0.03C _n /10K	<0.03C _n /10K
Input resistance	600Ω~700Ω	644Ω~656Ω	644Ω~656Ω
Rated output	607Ω~613Ω	609Ω~611Ω	609Ω~611Ω
Insulation resistance	>5000×10 ⁶ Ω	>5000×10 ⁶ Ω	>5000×10 ⁶ Ω
Nominal supply voltage	4~24V	4~24V	4~24V
Maximum supply voltage	32V	32V	32V
Nominal ambient temperature range	-10℃~+40℃	-10℃~+40℃	-10℃~+40℃
Usable ambient temperature range	-40℃~+95℃	-40℃~+95℃	-40℃~+95℃
Storage ambient temperature range	-40℃~+95℃	-40℃~+95℃	-40℃~+95℃
Explosion proof structure	Intrinsic safety explosion-proof structure (ib) Test pass number TC17926	Intrinsic safety explosion-proof structure (ib) Test pass number TC17926	Intrinsic safety explosion-proof structure (ib) Test pass number TC17926
The degree of ignition and the explosion grade of the target gas or steam	IIC T6 (when combined with our company's barrier PR1626/60)	IIC T6 (when combined with our company's barrier PR1626/60)	IIC T6 (when combined with our company's barrier PR1626/60)
Class of protection	IP68 / IEC 529 (completely waterproof · water depth 1.5m 10000h), IP69K/DIN40050	IP68 / IEC 529 (completely waterproof · water depth 1.5m 10000h), IP69K/DIN40050	IP68 / IEC 529 (completely waterproof · water depth 1.5m 10000h), IP69K/DIN40050
Material of element	Housing: stainless steel SUS 316 L {1.4301(DIN 17 440)304 S15(B.S.)} nitrogen gas enclosed	Housing: stainless steel SUS 316 L {1.4301(DIN 17 440)304 S15(B.S.)} nitrogen gas enclosed	Housing: stainless steel SUS 316 L {1.4301(DIN 17 440)304 S15(B.S.)} nitrogen gas enclosed
Cable specification	Polyethylene, 4-core shield cable Length 12m	Polyethylene, 4-core shield cable Length 12m	Polyethylene, 4-core shield cable Length 12m
Wiring specification	Applied voltage +red/-blue Output signal +green/-ash	Applied voltage +red/-blue Output signal +green/-ash	Applied voltage +red/-blue Output signal +green/-ash

PR6201 Series Compression Type High Accuracy
Standard Stainless Steel Load Cell

2023/03/22

Minebea Intec

	signal +green/-ash	signal +green/-ash	signal +green/-ash
Accessories	Earth wire 1pc / 1 grease bag	Earth wire 1pc / 1 grease bag	Earth wire 1pc / 1 grease bag

Specification contents4	Specification contents5
N(300t)	L(520t)
0.06E _{max} ~0.5E _{max}	0.06E _{max} ~0.5E _{max}
135%E _{max}	106%E _{max}
>350%E _{max}	>192%E _{max}
1.0mV/V~2.6mV/V	1.0mV/V~2.6mV/V
0.25%C _n	<1.0%C _n
<1.0%C _n	<2.0%C _n
<0.01%C _n	<0.02%C _n
<0.03%C _n	<0.02%C _n
<0.05C _n /10K	<0.1%C _n /10K
<0.06C _n /10K	<0.5C _n /10K
<0.06C _n /10K	<0.2C _n /10K
<0.03C _n /10K	<0.1C _n /10K
644Ω~656Ω	600Ω~700Ω
609Ω~611Ω	607Ω~613Ω
>5000×10 ⁶ Ω	>5000×10 ⁶ Ω
4~24V	4~24V
32V	32V
-10℃~+40℃	-10℃~+40℃
-40℃~+95℃	-40℃~+95℃
-40℃~+95℃	-40℃~+95℃
Intrinsic safety explosion-proof structure (ib) Test pass number TC17926	Intrinsic safety explosion-proof structure (ib) Test pass number TC17926
IIC T6 (when combined with our company's barrier PR1626/60)	IIC T6 (when combined with our company's barrier PR1626/60)
IP68 / IEC 529 (completely waterproof · water depth 1.5m 10000h), IP69K/DIN40050	IP68 / IEC 529 (completely waterproof · water depth 1.5m 10000h), IP69K/DIN40050
Housing: stainless steel SUS 316 L {1.4301(DIN 17 440)304 S15(B.S.)} nitrogen gas enclosed	Housing: stainless steel SUS 316 L {1.4301(DIN 17 440)304 S15(B.S.)} nitrogen gas enclosed
Polyethylene, 4-core shield cable Length 12m	PET thermoplastic, 4-core shield cable Length 12m
Applied voltage +red/-blue Output signal +green/-ash	Applied voltage +red/-blue Output signal +green/-ash
Earth wire 1pc / 1 grease bag	instruction manual 1pc

PR6201 Series Compression Type High Accuracy
Standard Stainless Steel Load Cell

2023/03/22

Minebea Intec

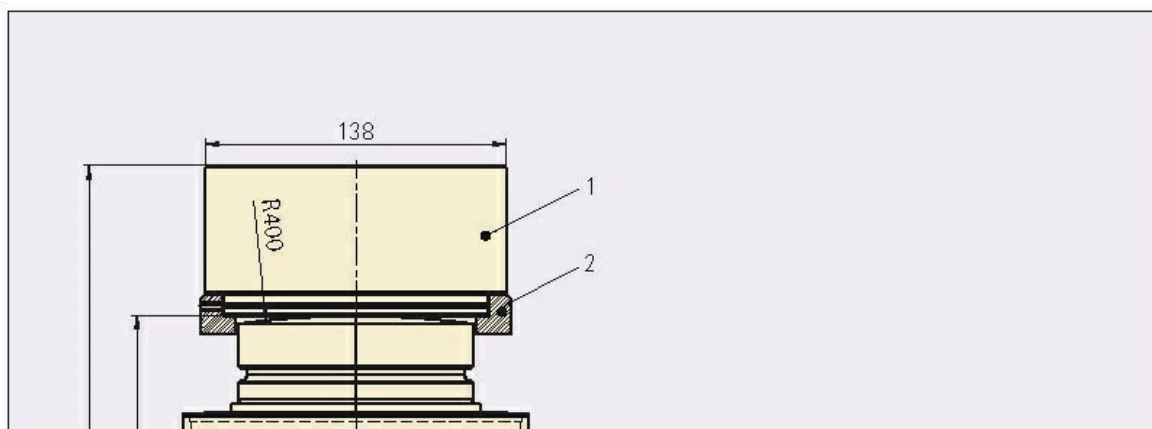
Table of P/N

Parts No.	Rated Capacity [tf]	Weight [kg]	Gross Weight [kg]	Packaged Size(W) [cm]	Packaged Size(L) [cm]	Packaged Size(H) [cm]
PR6201/15 L	100	11.2	12.9	28	28	35
PR6201/15 N	100	11.2	12.9	28	28	35
PR6201/25 N	200	26.0	29.0	34	35	47
PR6201/35 N	300	26.0	29.0	34	35	47
PR6201/55L	520	19.4	20.9	28	28	32

Parts No.	Instruction Manual
PR6201/15 L	KT60855-1.pdf
PR6201/15 N	KT60855-1.pdf
PR6201/25 N	KT60855-1.pdf
PR6201/35 N	KT60855-1.pdf
PR6201/55L	KT60855-1.pdf

External view

External Dimensions



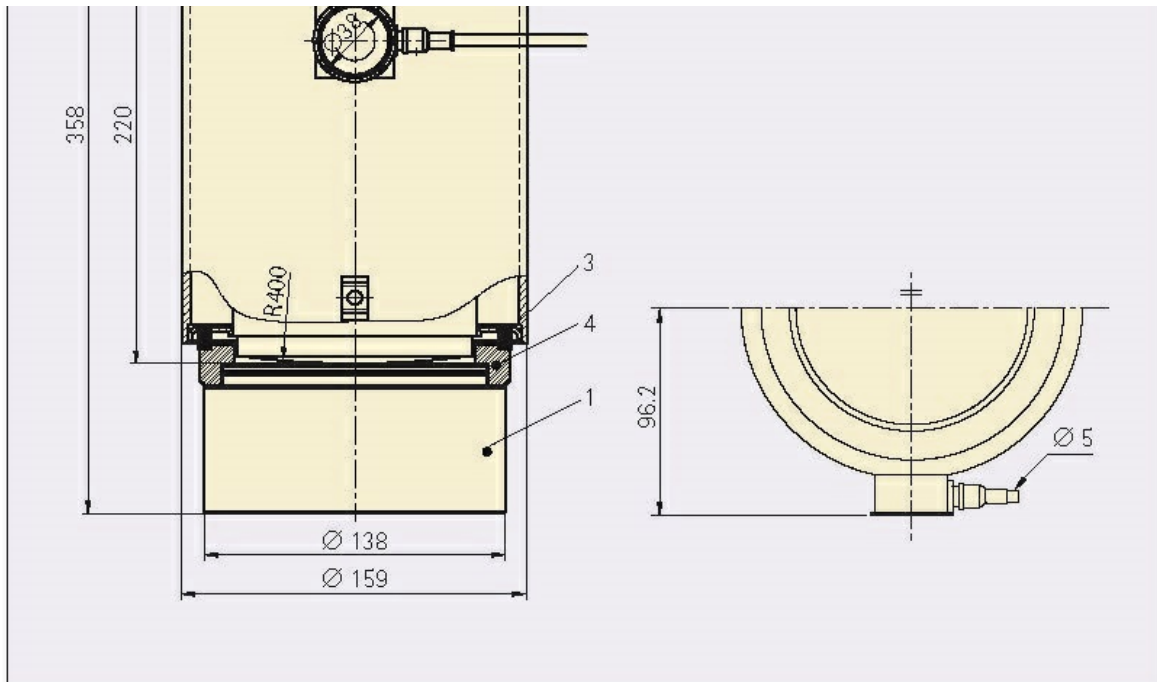
ミネベアミツミ株式会社

Copyright©MinebeaMitsumi Inc. All right reserved.

PR6201 Series Compression Type High Accuracy Standard Stainless Steel Load Cell

2023/03/22

Minebea Intec



Dimensions in mm

[Click here to visit the website of Intec Germany.](#)