


OPERATION MANUAL


(For Force sensor type Load Cells)

Read this operation manual with care before using this product .
Be sure to observe the important points mentioned in this manual . Keep this manual in custody near by in such a way that you may refer thereto anytime , if required .

The symbols used in this manual are as follows and have the following meanings .

Matters which you must not do absolutely or pay full attention to or keep in mind are marked with the following symbols . Read the sentences marked with these symbols without fall .

	NOTE : If this rule is not complied with , a trouble of injury or accident will be , caused , resulting in endangering human body . What is explained here must not be done absolutely .
---	--


	This shows an important point or limitation when carrying out operation or doing work . Be sure to read without fall in order to avoid doing in a wrong way .
--	--

1 . Preface

Thank you very much for your purchase of Minebea type load cell .
To begin with , check whether or not the delivered load cell has been damaged in transit or its type is correct as specified . If found defective , be sure to contact the agent from which you purchased this product or sales office . Refer to the catalogue or specification for the details of specification of the respective types .

2 . Outline

Force sensor type load cell is a product designed and manufactured by bonding a strain gauge to the simple shaped part . It is suited for handy load measurement and balance etc . As a special multielement gauge is used , wiring is very simple .

	NOTE	<ul style="list-style-type: none"> • In case of static loads , use the load cell within the range of rated capacities . In case of dynamic loads , use it less than 70% of the rated capacity . • Do not apply a voltage exceeding the max . applying voltage to the input terminal . • Fit this load cell with hexagonal (holed) bolts . The bolt sizes to be used are mentioned in the catalogue and specification . Select bolts higher than strength class10.9 of JIS B 1051. • Under such circumstances that screws tend to loosen , be sure to retighten them periodically or provide detent if required . • When fitting it to medical machines or apparatuses involving human life , be sure to provide a protective circuit in preparation for functional failure of load cell . • If used under special operating circumstances , be sure to consult with us once before starting use .
---	-------------	---

1. Fitting method

FSI, FSU

Using hexagonal bolts (holed) , fit the load cell as illustrated hereunder .

Use spring washers for prevention of loosening .

Select fitting bolts higher than strength class 10.9 of JIS B 1051 .

If stainless steel bolts are used , use bolts of strength class 80 of JIS B1054 .

As for the fitting length of screws , it shall be longer than the nominal diameter of screw .The pedestal must have full rigidity and flat, higher than 25s in surface finish .

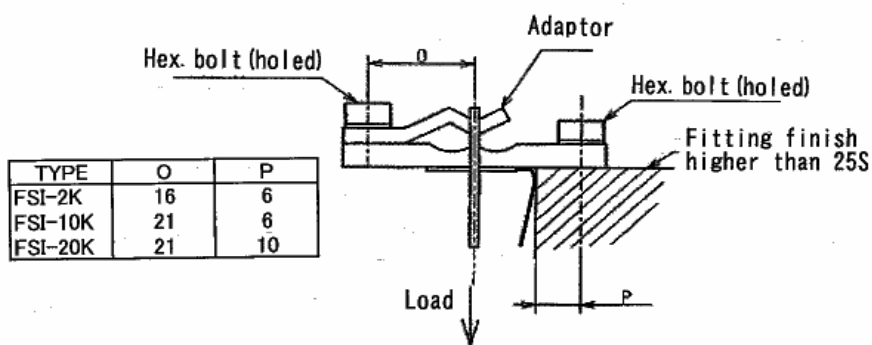
Fit it in such a way that no dust or foreign matter is not held between .

The bolt sizes to be used shall be those mentioned in the catalogue and specification .

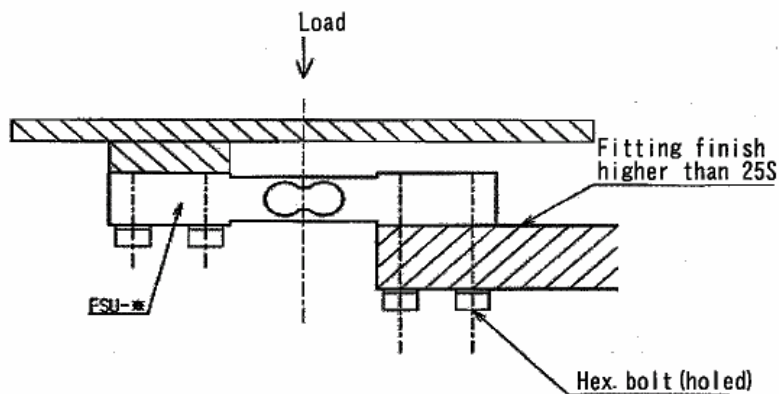
The proper tightening torques shall be adopted , referring to the following table .

NOMINAL DIA .OF BOLT	PROPER TIGHTENING TORQUE(N-m)	
	(N·m)	(kgf·cm)
4	3.92	40
5	7.84	80

FSI



FSU





2. Important points for use

In case of static loads , use it within the range of rated capacities .
 In case of dynamic loads , use it less than 70% of rated capacities .
 If there should be an impact load or vibration , a dynamic load calculated by multiplying static load by acceleration will act on the load cell .
 Therefore , take a measure to prevent the value calculated by taking into consideration acceleration from exceeding the rated capacity of load cell .
 If there is a possibility that an overload will act on load cell , provide a safety device against damage .
 The installing place must have full strength .
 Use it in an ambient temperature within the range temperature compensation range .
 Be sure to avoid a rapid change in temperature and direct heat .
 Checking protecting class , use it in such an environmental condition free from formation of dew .
 Under such circumstances where electric and magnetic fields are very strong , noise is generated sometimes .Therefore , avoid using it at such circumstances .
 Do not bend the cable lead hole extremely or pull strongly . When carrying it from place to place , do not hold the cable to suspend the load cell .
 Under vibrating circumstances , fix the cord in the vicinity of cable lead hole and provide a means for prevention of vibration thereto .
 Under such circumstances where screws tend to be loosened , retighten periodically and provide a detent means thereto , if required .
 When fitting it to medical treatment machines and other apparatuses involving human life , be sure to provide a protective circuit thereto , in preparation for functional failure of load cell .
 Do not disassemble the load cell .
 Do not drop any thing on the load cell or give a shock thereto .
 When discarded , dispose of it , taking into full consideration the environmental condition .

3. Wirings

Connect the lead wires with the specified terminals of gauges .

	INPUT		OUTPUT		SHIELD
	(+)	(-)	(+)	(-)	
COLOR OF CABLE LEAD	Red	white	Green	Blue	Yellow
STD CONNECTOR WIRING	A	C	D	B	E

Refer to the operation manual of gauge the terminals of gauges .

4. Troubl shooting

If an overload exceeding the allowable value is applied or if an overload other than center load is applied , be sure to make calibration again in order to check whether it can be used normally .If indication is unstable or abnormal , check whether or not connection with gauge is made correctly and reliably or the important matters in use in item 2 sre used properly .
 Check whether or not the input/output resistance is within the range of specified values with a tester etc .
 Check whether or not the insulation resistance of load cell body and core wires of cord is within the specified range of values .
 Check whether or not the output (zero balance) without load is within the range of specified valus .

If the values of the abovementioned measurement are abnormal , be sure to contact our company at once .
If there should be an unknown point in connection method etc ., contact our company .

Understand the text of the this manual is subject to change without notice .