

# Contego PR6041 Series

Minebea Intec

2023/03/22

## Features



- Hygienic integrated mount(EHEDG compliant) with built-in high-accuracy load cell(PR6241 type)
- Hygienic design(EHEDG compliant)
- highly corrosion-resistant top/bottom plates(AISI316L)
- FDA compliant silicone rubber sides
- Completely waterproof IP68/IP69K
- Cable outlet available in 2 directions(Horizontal:A、vertical:B)
- Base plate optionally available

## Specification

Specification name	Specification contents	Specification contents2	Specification contents3
OIML Accuracy class	D1	D1E	C3
Accuracy class	0.04%Emax	0.04%Emax	0.015%Emax
Safe load limit	150%Emax	150%Emax	150%Emax
Destructive load	300%Emax	300%Emax	300%Emax
Rated output	2 0mV/V	2 0mV/V	2 0mV/V

## Contego PR6041 Series

Minebea Intec

2023/03/22

Rated output tolerance	<0.25%Cn	<0.25%Cn	<0.07%Cn
Zero balance	<1.0%Cn	<1.0%Cn	<1.0%Cn
Reproducibility	<0.01%Cn	<0.01%Cn	<0.005%Cn
Creep	<0.03%Cn	<0.03%Cn	<0.015%Cn
Non-linearity	<0.03%Cn	<0.03%Cn	<0.01%Cn
Hysteresis	<0.04%Cn	<0.04%Cn	<0.015%Cn
Temperature effect on Zero	<0.028%Cn/10K	<0.028%Cn/10K	<0.01%Cn/10K
Temperature effect on Span	<0.03%Cn/10K	<0.03%Cn/10K	<0.01%Cn/10K
Input resistance	644Ω~656Ω	644Ω~656Ω	644Ω~656Ω
Rated output	609Ω~611Ω	609Ω~611Ω	609.5Ω~610.5Ω
Insulation resistance	>5000×10 <sup>6</sup> Ω	>5000×10 <sup>6</sup> Ω	>5000×10 <sup>6</sup> Ω
Nominal supply voltage	4~24V	4~24V	4~24V
Maximum supply voltage	28V	25V	28V
Nominal ambient temperature range	-10°C~+50°C	-10°C~+50°C	-10°C~+50°C
Usable ambient temperature range	-40°C~+95°C	-40°C~+95°C	-40°C~+95°C
Storage ambient temperature range	-40°C~+95°C	-40°C~+95°C	-40°C~+95°C
Explosion-proof certification in Japan	【JPEX】 Ex ia IIC T6 Ga(DEK19.0066/DEKRA)	【JPEX】 Ex ia IIC T6 Ga(DEK19.0066/DEKRA)	【JPEX】 Ex ia IIC T6 Ga(DEK19.0066/DEKRA)
Conforms to overseas explosion protection standards	【IECEX】 Ex ia IIC T6 Ga/ 【ATEX】 II 1G Ex ia IIC T6 Ga	【IECEX】 Ex ia IIC T6 Ga/ 【ATEX】 II 1G Ex ia IIC T6 Ga	【IECEX】 Ex ia IIC T6 Ga/ 【ATEX】 II 1G Ex ia IIC T6 Ga
Class of protection	IP68 / IEC 529 (completely waterproof · water depth 1.5m 10000h)	IP68 / IEC 529 (completely waterproof · water depth 1.5m 10000h)	IP68 / IEC 529 (completely waterproof · water depth 1.5m 10000h)
Material of element	Body: Stainless steel 1.4542 (DIN 17440) S 604, S 622 (B.S), 17-4 PH equivalent	Body: Stainless steel 1.4542 (DIN 17440) S 604, S 622 (B.S), 17-4 PH equivalent	Body: Stainless steel 1.4542 (DIN 17440) S 604, S 622 (B.S), 17-4 PH equivalent
Cable specification	Polyethylene, 4 core shielded cable / length 5m / diameter 5mm / cable 4 x 0.35mm <sup>2</sup>	Polyethylene, 4 core shielded cable / length 5m / diameter 5mm / cable 4 x 0.35mm <sup>2</sup>	Polyethylene, 4 core shielded cable / length 5m / diameter 5mm / cable 4 x 0.35mm <sup>2</sup>
Wiring specification	Applied voltage +red/-blue Output signal +green/-ash	Applied voltage +red/-blue Output signal +green/-ash	Applied voltage +red/-blue Output signal +green/-ash
Accessories	Earth wire 1pc	Earth wire 1pc	Earth wire 1pc

Specification contents4	Specification contents5	Specification contents6
C3E	C6	C6E
0.015%Emax	0.008%Emax	0.008%Emax

## Contego PR6041 Series

Minebea Intec

2023/03/22

150%Emax	150%Emax	150%Emax
300%Emax	300%Emax	300%Emax
2.0mV/V	2.0mV/V	2.0mV/V
<0.07%Cn	<0.07%Cn	<0.07%Cn
<1.0%Cn	<1.0%Cn	<1.0%Cn
<0.005%Cn	<0.005%Cn	<0.005%Cn
<0.015%Cn	<0.008%Cn	<0.008%Cn
<0.01%Cn	<0.01%Cn	<0.01%Cn
<0.015%Cn	<0.008%Cn	<0.008%Cn
<0.01%Cn/10K	<0.007%Cn/10K	<0.007%Cn/10K
<0.01%Cn/10K	<0.005%Cn/10K	<0.005%Cn/10K
644Ω~656Ω	644Ω~656Ω	644Ω~656Ω
609.5Ω~610.5Ω	609.5Ω~610.5Ω	609.5Ω~610.5Ω
>5000×10 <sup>6</sup> Ω	>5000×10 <sup>6</sup> Ω	>5000×10 <sup>6</sup> Ω
4~24V	4~24V	4~24V
25V	28V	25V
-10℃~+50℃	-10℃~+40℃	-10℃~+40℃
-40℃~+95℃	-40℃~+95℃	-40℃~+95℃
-40℃~+95℃	-40℃~+95℃	-40℃~+95℃
【JPEX】 Ex ia IIC T6 Ga(DEK19.0066/DEKRA)	【JPEX】 Ex ia IIC T6 Ga(DEK19.0066/DEKRA)	【JPEX】 Ex ia IIC T6 Ga(DEK19.0066/DEKRA)
【IECEX】 Ex ia IIC T6 Ga/ 【ATEX】 II 1G Ex ia IIC T6 Ga	【IECEX】 Ex ia IIC T6 Ga/ 【ATEX】 II 1G Ex ia IIC T6 Ga	【IECEX】 Ex ia IIC T6 Ga/ 【ATEX】 II 1G Ex ia IIC T6 Ga
IP68 / IEC 529 (completely waterproof · water depth 1.5m 10000h)	IP68 / IEC 529 (completely waterproof · water depth 1.5m 10000h)	IP68 / IEC 529 (completely waterproof · water depth 1.5m 10000h)
Body: Stainless steel 1.4542 (DIN 17 440) S 604, S 622 (B.S), 17-4 PH equivalent	Body: Stainless steel 1.4542 (DIN 17 440) S 604, S 622 (B.S), 17-4 PH equivalent	Body: Stainless steel 1.4542 (DIN 17 440) S 604, S 622 (B.S), 17-4 PH equivalent
Polyethylene, 4 core shielded cable / length 5m / diameter 5mm / cable 4 x 0.35mm <sup>2</sup>	Polyethylene, 4 core shielded cable / length 5m / diameter 5mm / cable 4 x 0.35mm <sup>2</sup>	Polyethylene, 4 core shielded cable / length 5m / diameter 5mm / cable 4 x 0.35mm <sup>2</sup>
Applied voltage +red/-blue Output signal +green/-ash	Applied voltage +red/-blue Output signal +green/-ash	Applied voltage +red/-blue Output signal +green/-ash
Earth wire 1pc	Earth wire 1pc	Earth wire 1pc

## Table of P/N

Parts No.	Rated Capacity [kgf]	Weight [kg]	Gross Weight [kg]	Packaged Size(W) [cm]	Packaged Size(L) [cm]	Packaged Size(H) [cm]
DD6041/12 D1						

# Contego PR6041 Series

Minebea Intec

2023/03/22

PR6041/12 D1 A/B	100	11	12	24	24	18.5
PR6041/22 D1 A/B	200	11	12	24	24	18.5
PR6041/22 C3 A/B	200	11	12	24	24	18.5
PR6041/22 C6 A/B	200	11	12	24	24	18.5
PR6041/32 D1 A/B	300	11	12	24	24	18.5
PR6041/32 C3 A/B	300	11	12	24	24	18.5
PR6041/32 C6 A/B	300	11	12	24	24	18.5
PR6041/52 D1 A/B	500	11	12	24	24	18.5
PR6041/52 C3 A/B	500	11	12	24	24	18.5
PR6041/52 C6 A/B	500	11	12	24	24	18.5
PR6041/13 D1 A/B	1000	11	12	24	24	18.5
PR6041/13 C3 A/B	1000	11	12	24	24	18.5
PR6041/13 C6 A/B	1000	11	12	24	24	18.5
PR6041/23 D1 A/B	2000	11	12	24	24	18.5
PR6041/23 C3 A/B	2000	11	12	24	24	18.5
PR6041/23 C6 A/B	2000	11	12	24	24	18.5
PR6041/12 D1E A/B	100	11	12	24	24	18.5
PR6041/22 D1E A/B	200	11	12	24	24	18.5
PR6041/22 C3E A/B	200	11	12	24	24	18.5
PR6041/22 C6E A/B	200	11	12	24	24	18.5
PR6041/32 D1E A/B	300	11	12	24	24	18.5
PR6041/32 C3E A/B	300	11	12	24	24	18.5
PR6041/32 C6E	300	11	12	24	24	18.5

# Contego PR6041 Series

Minebea Intec

2023/03/22

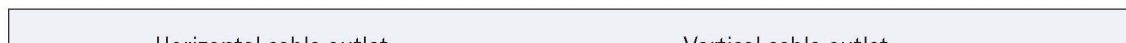
A/B						
PR6041/52 D1E A/B	500	11	12	24	24	18.5
PR6041/52 C3E A/B	500	11	12	24	24	18.5
PR6041/52 C6E A/B	500	11	12	24	24	18.5
PR6041/13 D1E A/B	1000	11	12	24	24	18.5
PR6041/23 C3E A/B	2000	11	12	24	24	18.5
PR6041/23 C6E A/B	2000	11	12	24	24	18.5

## Installation example



## External view

### External Dimensions



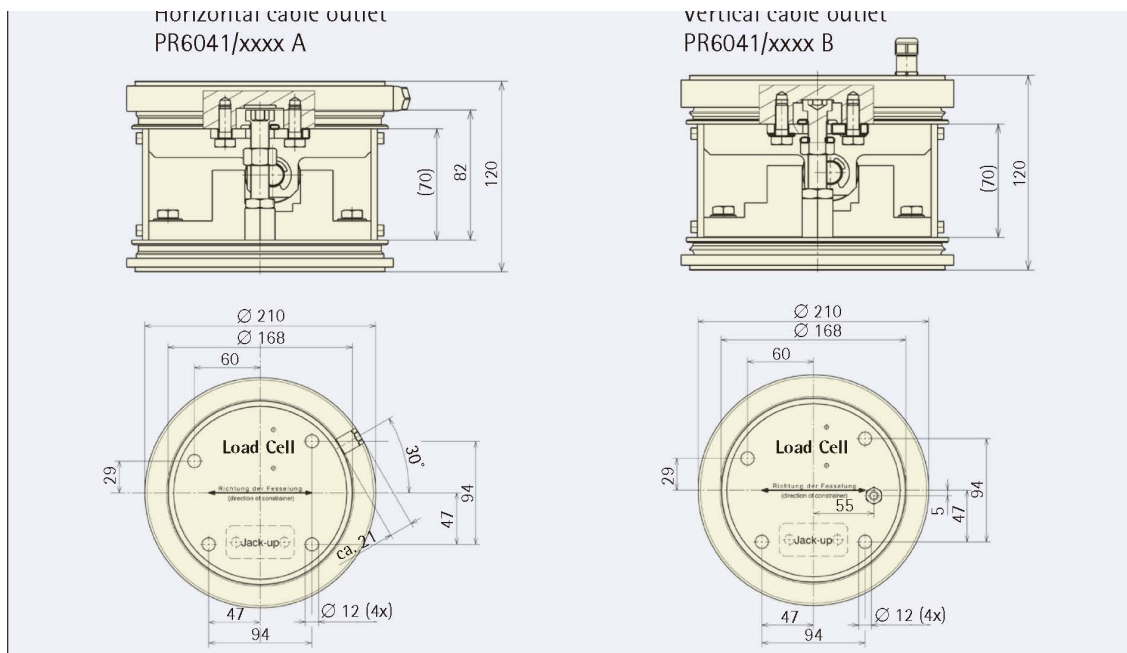
ミネベアミツミ株式会社

Copyright©MinebeaMitsumi Inc. All right reserved.

# Contego PR6041 Series

Minebea Intec

2023/03/22



Dimensions in mm

[Click here to visit the website of Intec Germany.](#)