

# PR6261

Minebea Intec

2023/03/22

## Features



- Hygienic all-in-one solution for reliable weighing of vessels
- Hygienic weighing module ensures efficient cleaning
- High degree of process reliability and precision thanks to the innovative side-force-resistant system
- Quick and easy commissioning due to smart add-on parts
- Durable, reliable weighing solution with excellent corrosion resistance

## Specification

Specification name	Specification contents	Specification contents2
OIML Accuracy class	C3	C6
Accuracy class	0.015%Emax	0.015%Emax
Safe load limit	150%Emax	150%Emax
Destructive load	300%Emax	300%Emax
Rated output	2.0mV/V	2.0mV/V

## PR6261

Minebea Intec

2023/03/22

Rated output tolerance	<0.07%Cn	<0.07%Cn
Zero balance	<1.5%Cn	<1.5%Cn
Reproducibility	<0.005%Cn	<0.005%Cn
Creep	<0.016%Cn	<0.016%Cn
Non-linearity	<0.01%Cn	<0.01%Cn
Hysteresis	<0.016%Cn	<0.016%Cn
Temperature effect on Zero	<0.01%Cn/10K	<0.01%Cn/10K
Temperature effect on Span	<0.01%Cn/10K	<0.01%Cn/10K
Input resistance	1070Ω~1090Ω	1070Ω~1090Ω
Rated output	1009Ω~1011Ω	1009Ω~1011Ω
Insulation resistance	>5000×10 <sup>6</sup> Ω	>5000×10 <sup>6</sup> Ω
Nominal supply voltage	4~24V	4~24V
Maximum supply voltage	24	24
Nominal ambient temperature range	-10℃~+40℃	-10℃~+40℃
Usable ambient temperature range	-40℃~+95℃	-40℃~+95℃
Storage ambient temperature range	-40℃~+95℃	-40℃~+95℃
Explosion-proof certification in Japan	【JPEX】 Ex ia IIC T6 Ga(DEK19.0069/DEKRA)	【JPEX】 Ex ia IIC T6 Ga(DEK19.0069/DEKRA)
Conforms to overseas explosion protection standards	【IECEX】 Ex ia IIC T6 Ga/ 【ATEX】 II 1G Ex ia IIC T6 Ga	【IECEX】 Ex ia IIC T6 Ga/ 【ATEX】 II 1G Ex ia IIC T6 Ga
Class of protection	IP68、IP69	IP68、IP69
Material of element	Stainless steel {1.4418 (DIN EN10088-3)}	Stainless steel {1.4418 (DIN EN10088-3)}
Cable specification	Thermoplastic Elastomer (TPE),4-core shield cable Length:12m/DiameterΦ5mm 4×0.35mm <sup>2</sup>	Thermoplastic Elastomer (TPE),4-core shield cable Length:12m/DiameterΦ5mm 4×0.35mm <sup>2</sup>
Wiring specification	Applied voltage +red/-blue Output signal +green/-ash	Applied voltage +red/-blue Output signal +green/-ash

## Table of P/N

Parts No.	Rated Capacity [kgf]	Weight [kg]	Gross Weight [kg]	Packaged Size(W) [cm]	Packaged Size(L) [cm]	Packaged Size(H) [cm]
PR6261/125kgC3	125	1.4	1.7	29	21	12
PR6261/250kgC3	250	1.4	1.7	29	21	12
PR6261/500kgC3	500	1.4	1.7	29	21	12
PR6261/1000kgC3	1000	1.4	1.7	29	21	12

ミネベアミツミ株式会社

Copyright©MinebeaMitsumi Inc. All right reserved.

## PR6261

Minebea Intec

2023/03/22

PR6261/1000kgC3	1000	1.4	1.7	29	21	12
PR6261/2000kgC3	2000	1.4	1.7	29	21	12
PR6261/125kgC3E	125	1.4	1.7	29	21	12
PR6261/250kgC3E	250	1.4	1.7	29	21	12
PR6261/500kgC3E	500	1.4	1.7	29	21	12
PR6261/1000kgC3E	1000	1.4	1.7	29	21	12
PR6261/2000kgC3E	2000	1.4	1.7	29	21	12

Parts No.	Specification sheet	Instruction Manual	Instruction manual 2	Instruction manual 3	Instruction Manual 4	Instruction manual 5
PR6261/125kgC3	<a href="#">211PR6261-A.pdf</a>	<a href="#">MAN_Novego_Inst_ja.pdf</a>	<a href="#">PR6061-05.pdf</a>	<a href="#">PR6061-01.pdf</a>	<a href="#">PR6061-07.pdf</a>	<a href="#">PR6061-06.pdf</a>
PR6261/250kgC3	<a href="#">211PR6261-A.pdf</a>	<a href="#">MAN_Novego_Inst_ja.pdf</a>	<a href="#">PR6061-05.pdf</a>	<a href="#">PR6061-01.pdf</a>	<a href="#">PR6061-07.pdf</a>	<a href="#">PR6061-06.pdf</a>
PR6261/500kgC3	<a href="#">211PR6261-A.pdf</a>	<a href="#">MAN_Novego_Inst_ja.pdf</a>	<a href="#">PR6061-05.pdf</a>	<a href="#">PR6061-01.pdf</a>	<a href="#">PR6061-07.pdf</a>	<a href="#">PR6061-06.pdf</a>
PR6261/1000kgC3	<a href="#">211PR6261-A.pdf</a>	<a href="#">MAN_Novego_Inst_ja.pdf</a>	<a href="#">PR6061-05.pdf</a>	<a href="#">PR6061-01.pdf</a>	<a href="#">PR6061-07.pdf</a>	<a href="#">PR6061-06.pdf</a>
PR6261/2000kgC3	<a href="#">211PR6261-A.pdf</a>	<a href="#">MAN_Novego_Inst_ja.pdf</a>	<a href="#">PR6061-05.pdf</a>	<a href="#">PR6061-01.pdf</a>	<a href="#">PR6061-07.pdf</a>	<a href="#">PR6061-06.pdf</a>
PR6261/125kgC3E	<a href="#">211PR6261-A.pdf</a>	<a href="#">MAN_Novego_Inst_ja.pdf</a>	<a href="#">PR6061-05.pdf</a>	<a href="#">PR6061-01.pdf</a>	<a href="#">PR6061-07.pdf</a>	<a href="#">PR6061-06.pdf</a>
PR6261/250kgC3E	<a href="#">211PR6261-A.pdf</a>	<a href="#">MAN_Novego_Inst_ja.pdf</a>	<a href="#">PR6061-05.pdf</a>	<a href="#">PR6061-01.pdf</a>	<a href="#">PR6061-07.pdf</a>	<a href="#">PR6061-06.pdf</a>
PR6261/500kgC3E	<a href="#">211PR6261-A.pdf</a>	<a href="#">MAN_Novego_Inst_ja.pdf</a>	<a href="#">PR6061-05.pdf</a>	<a href="#">PR6061-01.pdf</a>	<a href="#">PR6061-07.pdf</a>	<a href="#">PR6061-06.pdf</a>
PR6261/1000kgC3E	<a href="#">211PR6261-A.pdf</a>	<a href="#">MAN_Novego_Inst_ja.pdf</a>	<a href="#">PR6061-05.pdf</a>	<a href="#">PR6061-01.pdf</a>	<a href="#">PR6061-07.pdf</a>	<a href="#">PR6061-06.pdf</a>
PR6261/2000kgC3E	<a href="#">211PR6261-A.pdf</a>	<a href="#">MAN_Novego_Inst_ja.pdf</a>	<a href="#">PR6061-05.pdf</a>	<a href="#">PR6061-01.pdf</a>	<a href="#">PR6061-07.pdf</a>	<a href="#">PR6061-06.pdf</a>

Parts No.	Instruction manual 7	Movie
PR6261/125kgC3	<a href="#">PR6061-02.pdf</a>	<a href="#">Product introduction</a>
PR6261/250kgC3	<a href="#">PR6061-02.pdf</a>	<a href="#">Product introduction</a>
PR6261/500kgC3	<a href="#">PR6061-02.pdf</a>	<a href="#">Product introduction</a>
PR6261/1000kgC3	<a href="#">PR6061-02.pdf</a>	<a href="#">Product introduction</a>
PR6261/2000kgC3	<a href="#">PR6061-02.pdf</a>	<a href="#">Product introduction</a>
PR6261/125kgC3E	<a href="#">PR6061-02.pdf</a>	<a href="#">Product introduction</a>
PR6261/250kgC3E	<a href="#">PR6061-02.pdf</a>	<a href="#">Product introduction</a>
PR6261/500kgC3E	<a href="#">PR6061-02.pdf</a>	<a href="#">Product introduction</a>
PR6261/1000kgC3E	<a href="#">PR6061-02.pdf</a>	<a href="#">Product introduction</a>
PR6261/2000kgC3E	<a href="#">PR6061-02.pdf</a>	<a href="#">Product introduction</a>

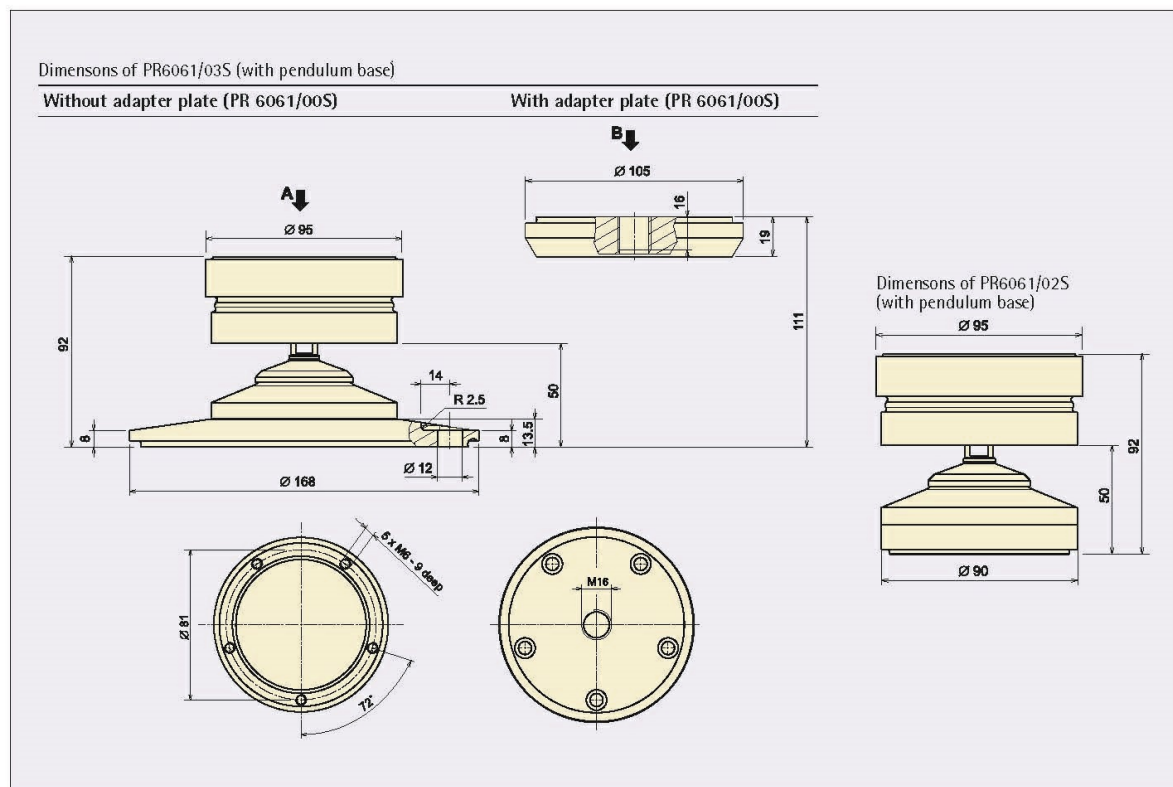
**PR6261**

Minebea Intec

2023/03/22

**External view**

## External Dimensions



Dimensions in mm

[Click here to visit the website of Intec Germany.](#)