

SPECIFICATION

Rocker pin type mounting attachment
with slide stop mechanism for C2B1 B-200K~2T

Mounting attachment with slide stop
mechanism RCA-C2B1B-※-S

SPEC.No.EN216117-C 1/1

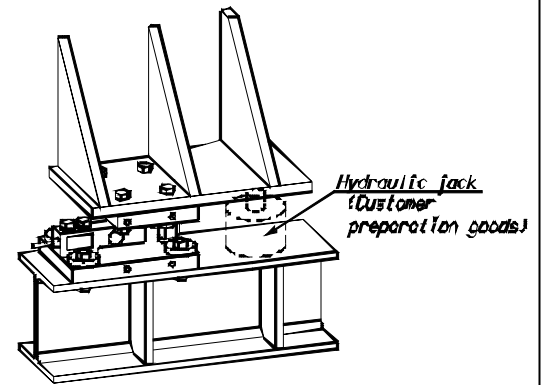
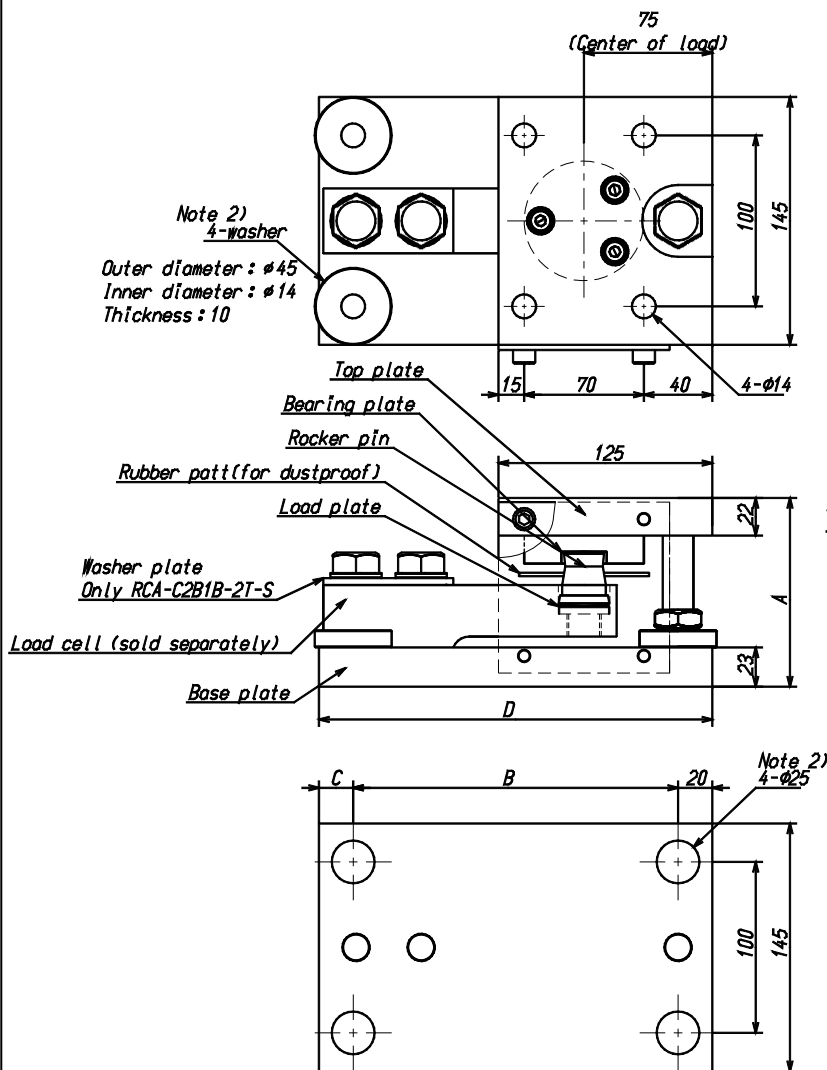
Applicable load cell : C2B1B-200K~2T
 Safe overload Note-1) : 150 %R.C. Note-2
 Allowable horizontal load : 30 %R.C.
 Allowable horizontal moving length : ±2 mm (No directionality)
 Allowable lifting load : 19.61 kN{2 tf}

Material : Equivalent to SUS304

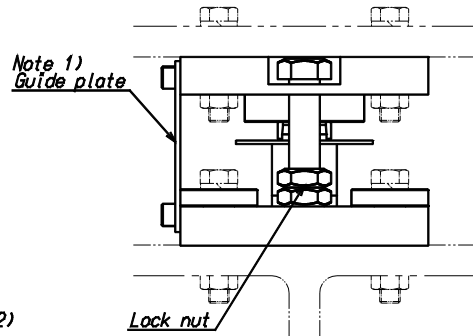
Note-1) Safe overload : An allowable overload of the C2B1B is shown.

Note-2) R.C.(RATED CAPACITY): A rated capacity of the C2B1B is shown.

| Composition | |
|-------------|---|
| Main body | 1 |
| Washer | 4 |
| Guide plate | 1 |



Construction example



Note

- 1) Please remove the guide plate after the installation.
- 2) Please install the base plate by the washer (Recommended installation screw : M12)

Outline dimensions

Unit:mm

| P/N | Applicable load cell | A | B | C | D | Weight(Approx.kg) |
|---------------------|----------------------|-------|-----|----|-----|-------------------|
| RCA-C2B1B-200K/1T-S | C2B1B-200K~1T | 96.6 | 150 | 25 | 195 | 9.1 |
| RCA-C2B1B-2T-S | C2B1B-2T | 109.9 | 190 | 20 | 230 | 10.1 |

※Specifications and outline dimensions and so on which have printed may subject to change for the purpose of improvement without notice.