

SPECIFICATIONS

Mounting attachment with slide stop mechanism FCA-CCP1-※

Spec. No. EN216073-G 1/4

Flexible stop method
mounting attachment with slide stop mechanism
for CCP1 (A) -200K~20T (-U,-Z)

- P/N : FCA-CCP1-50K/100K
 - Applicable load cell : CCP1-50K~100K
 - Allowable horizontal load : $\pm 5.884 \text{ kN}$ { $\pm 600 \text{ kgf}$ }
 - Allowable horizontal moving length : $\pm 10 \text{ mm}$
 - Surface treatment : Plating (Material: SS400 or equivalent)
 - Weigit : Approx. 7 kg
 - Accessories : Bearing plate 1 piece
Pin for load cell 1 piece
Guide plate 2 pieces
Instruction manual 1 piece
- P/N : FCA-CCP1-200K/1T
 - Applicable load cell : CCP1(A)-200K~1T(-U,-Z)
 - Allowable horizontal load : $\pm 5.884 \text{ kN}$ { $\pm 600 \text{ kgf}$ }
 - Allowable horizontal moving length : $\pm 10 \text{ mm}$
 - Surface treatment : Plating (Material: SS400 or equivalent)
 - Weigit : Approx. 7 kg
 - Accessories : Bearing plate 1 piece
Pin for load cell 1 piece
Guide plate 2 pieces
Instruction manual 1 piece
 - Optional products : Dummy load cell P/N: FCAD-CCP1-200K/1T
- P/N : FCA-CCP1-2T/5T
 - Applicable load cell : CCP1-2T~5T(-U,-Z)
 - Allowable horizontal load : $\pm 29.42 \text{ kN}$ { $\pm 3 \text{ tf}$ }
 - Allowable horizontal moving length : $\pm 10 \text{ mm}$
 - Surface treatment : Plating (Material: SS400 or equivalent)
 - Weigit : Approx. 16 kg
 - Accessories : Bearing plate 1 piece
Pin for load cell 1 piece
Guide plate 2 pieces
Instruction manual 1 piece
 - Optional products : Dummy load cell P/N: FCAD-CCP1-2T/5T
- P/N : FCA-CCP1-10T
 - Applicable load cell : CCP1-10T(-U,-Z)
 - Allowable horizontal load : $\pm 58.84 \text{ kN}$ { $\pm 6 \text{ tf}$ }
 - Allowable horizontal moving length : $\pm 10 \text{ mm}$
 - Surface treatment : Plating (Material: SS400 or equivalent)
 - Weigit : Approx. 27 kg
 - Accessories : Bearing plate 1 piece
Pin for load cell 1 piece
Guide plate 1 piece
Instruction manual 1 piece
 - Optional products : Dummy load cell P/N: FCAD-CCP1-10T

SPECIFICATIONS

Mounting attachment with slide stop mechanism FCA-CCP1-※

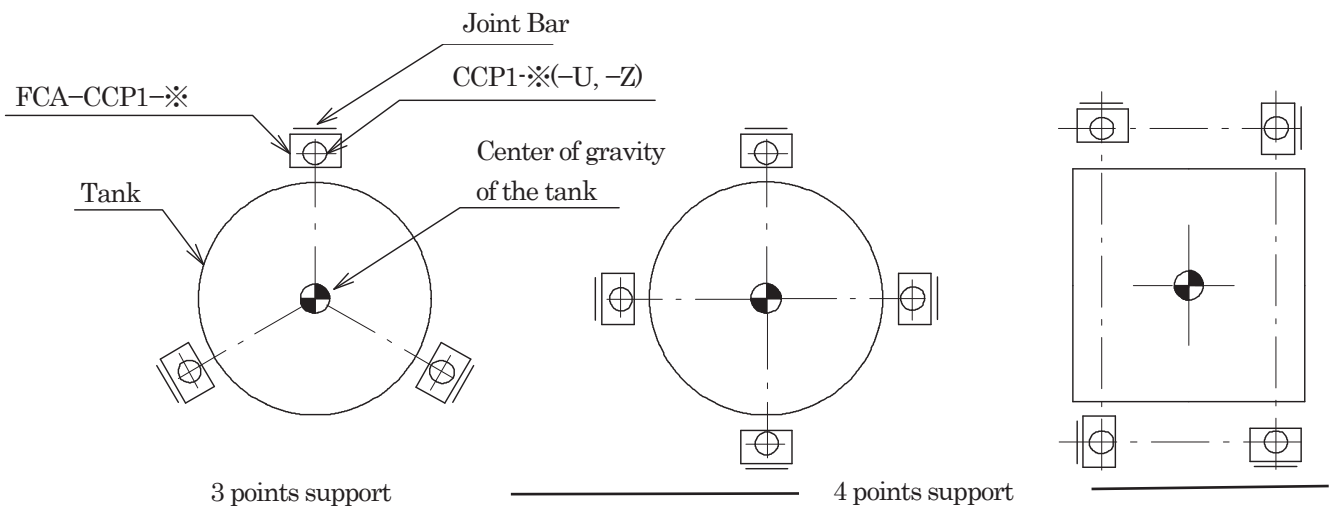
Spec. No. EN216073-G

2/4

• P/N	: FCA-CCP1-20T	
Applicable load cell	: CCP1-20T (-U, -Z)	
Allowable horizontal load	: $\pm 117.7 \text{ kN}$ { $\pm 12 \text{ tf}$ }	
Allowable horizontal moving length	: $\pm 10 \text{ mm}$	
Surface treatment	: Plating (Material: SS400 or equivalent)	
Weight	: Approx. 80 kg	
Accessories	: Bearing plate	1 piece
	Pin for load cell	1 piece
	Guide plate	1 piece
	Instruction manual	1 piece
Optional products	: Dummy load cell	P/N: FCAD-CCP1-20T

Remarks

- 1) Secure the space around bracket part of the tank for using the jack.
- 2) Please prepare the fall prevention mechanism separately.
- 3) Installed height recommends the vicinity of the tank center of gravity position.
- 4) Install the joint bar facing to outside. (Refer to the below drawing.)

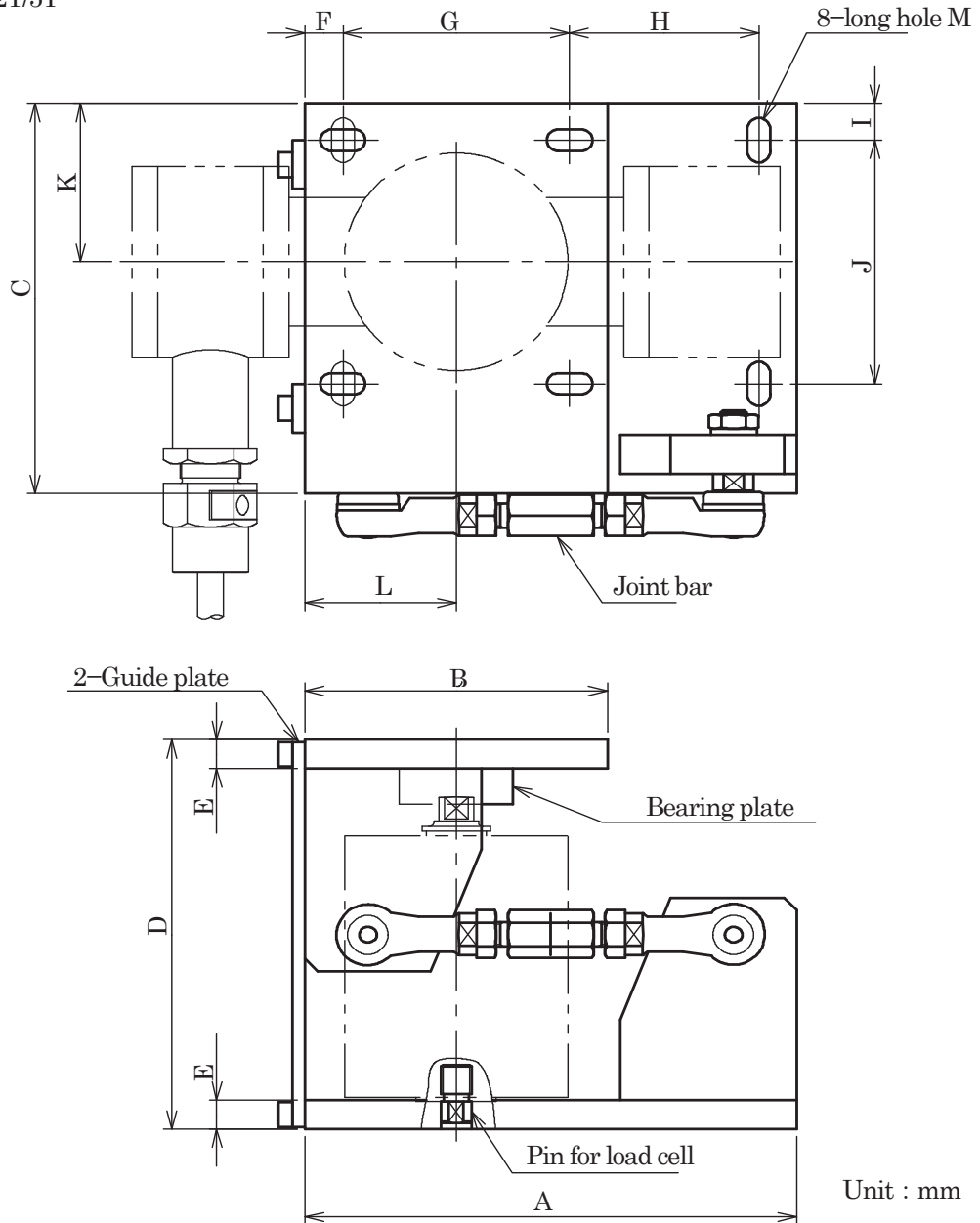


SPECIFICATIONS

- FCA-CCP1-50K/100K
- FCA-CCP1-200K/1T
- FCA-CCP1-2T/5T

Mounting attachment with slide stop mechanism FCA-CCP1-※

Spec. No. EN216073-G 3/4



Outline dimensions

Unit : mm

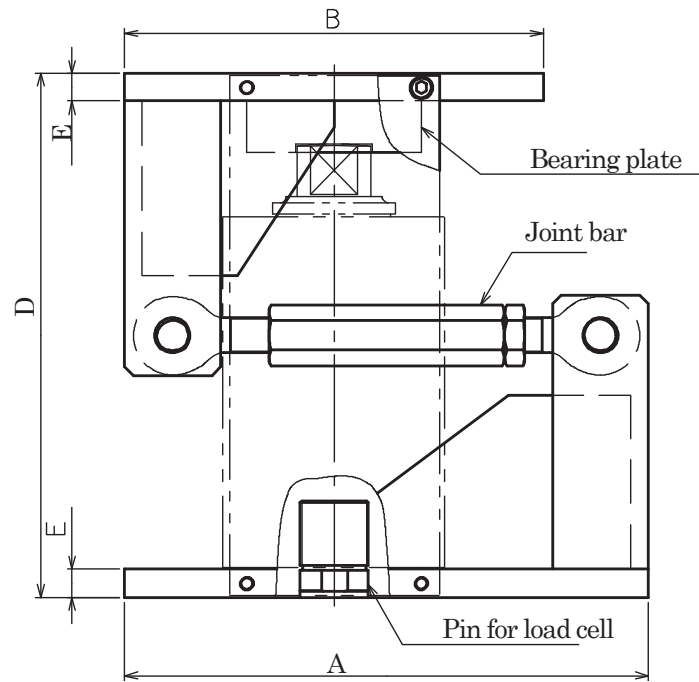
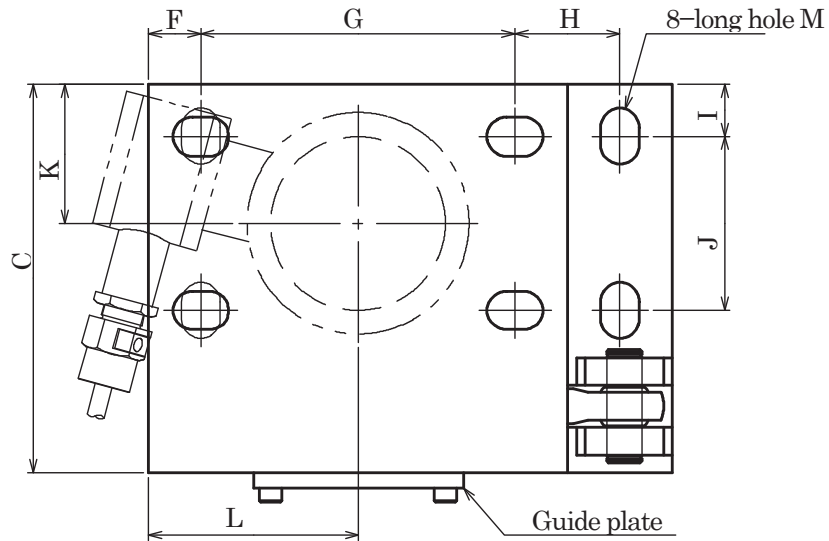
P/N	Applicable load cell	A	B	C	D	E	F	G	H	I	J	K	L	M
FCA-CCP1-50K/100K	CCP1-50K~100K	195	120	160	160	12	15	90	75	15	100	65	60	18×9
FCA-CCP1-200K/1T	CCP1(A)-200K~1T(-U,-Z)	195	120	160	160	12	15	90	75	15	100	65	60	18×9
FCA-CCP1-2T/5T	CCP1-2T,3T,5T(-U,-Z)	280	150	200	217	16	25	100	130	25	100	75	75	28×13

SPECIFICATIONS

FCA-CCP1-10T
FCA-CCP1-20T

Mounting attachment with slide stop mechanism FCA-CCP1-※

Spec. No. EN216073-G 4/4



Unit : mm

Outline dimensions

Unit : mm

P/N	Applicable load cell	A	B	C	D	E	F	G	H	I	J	K	L	M
FCA-CCP1-10T	CCP1-10T (-U,-Z)	300	240	223	301	16	30	180	60	30	100	80	120	33×22
FCA-CCP1-20T	CCP1-20T (-U,-Z)	400	320	300	402.5	28	50	220	80	40	120	100	160	42×22

※Specifications and outline dimensions and so on which have printed may subject to change for the purpose of improvement without notice.