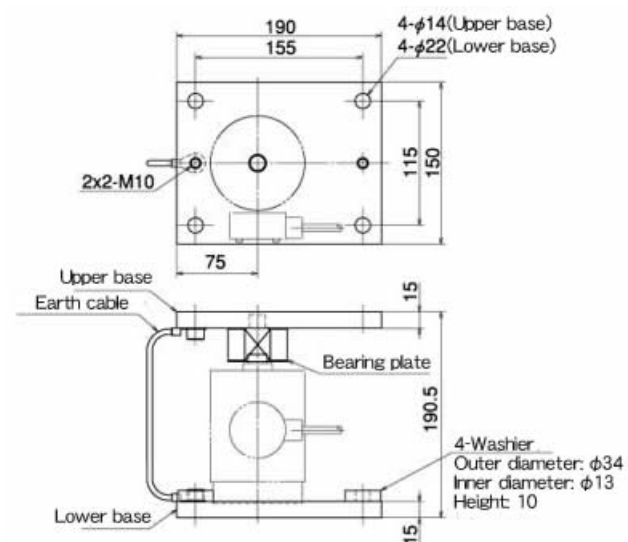


AIC series AIC1

2023/03/22

CC010(-C3) series metal fitting



Item	Accessory part No.	Weight [kg]
CC010-500K, CC010-1T use	AIC-035-500K/1T(-S)	7.3
CC010-2T, CC010-3T use	AIC-035-2T/3T(-S)	7.3
CC010-5T~CC010-30T use	AIC-035-5T/30T(-S)	7.3
CC010-50T use	AIC-035-50T(-S)	7.3