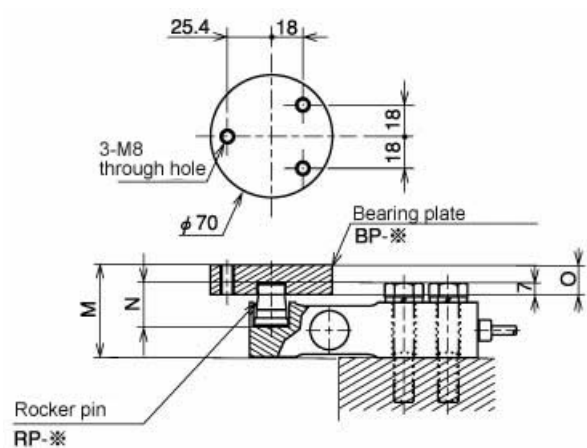


BP(SB)/RP(SB) series BPRP1

2023/03/22

C3B1(-NS) series bearing plate + rocker pin



Item	Accessory part No.	M [mm]	N [mm]	O [mm]	Weight [kg]
C3B1-200K(-NS)~C3B1-1T(-NS) use	RP-1, BP-1	53	25.4	17	1.7
C3B1-2T(-NS)~C3B1-5T(-NS) use	RP-2, BP-2	66	31.9	20	2.7