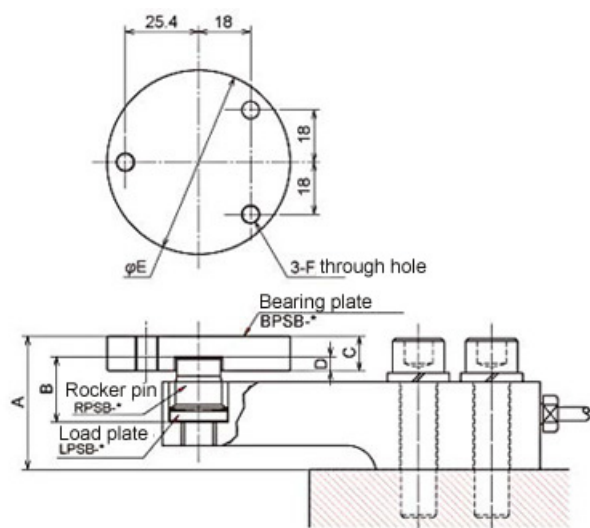


BP(SB)/RP(SB) series BPRP2

2023/03/22

C2B1B(-C3) series bearing plate + rocker pin



| Item | Accessory part No. | A [mm] | B [mm] | C [mm] | D [mm] | φE [mm] |
|-----------------------------------|--------------------|-----------|-----------|-----------|-----------|------------|
| C2B1B-200K(-C3)~C2B1B-1T(-C3) use | RPSB-1, BPSB-1 | 46 | 22.8 | 12 | 5 | 63.5 |
| C2B1B-2T(-C3) use | RPSB-2, BPSB-2 | 56.6 | 29.1 | 15 | 7 | 70 |

| Item | F | Weight [kg] |
|-----------------------------------|----|----------------|
| C2B1B-200K(-C3)~C2B1B-1T(-C3) use | M6 | 1.5 |
| C2B1B-2T(-C3) use | M8 | 2.5 |