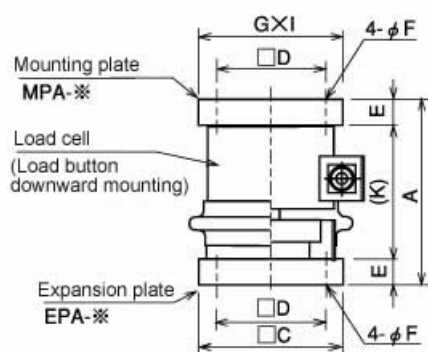


EP series EP3

2023/03/22

CCR1(B) series expansion plate + mounting plate



Item	Accessory part No.	A [mm]	□C (X1) [mm]	□D [mm]	E [mm]	φF [mm]
CCR1B-500K~ CCR1B-2T use	EPA-3, MPA-3-B	166	130	105	23	12
CCR1-5T~ CCR1-10T use	EPA-4, MPA-4-B	215	160	125	30	14
CCR1-20T use	EPA-6, MPA-6-B	270	200	150	30	14

Item	G [mm]	I [mm]	K [mm]	N (Expansion limit) [mm]	Weight [kg]
CCR1B-500K~ CCR1B-2T use	130	130	120	±8	8
CCR1-5T~ CCR1-10T use	160	155	155	±10	16
CCR1-20T use	200	185	210	±10	26