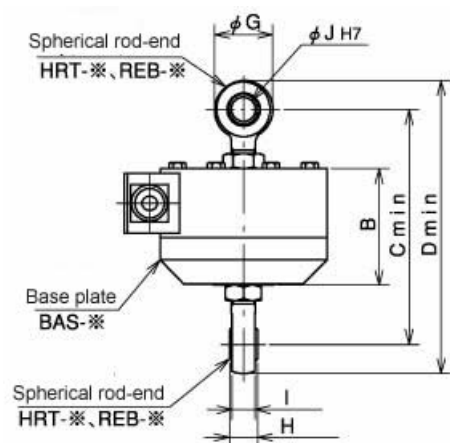


REB/PR/HRT series REB2

2023/03/22

UWV1 series spherical rod-end



Item	Accessory part No.	B [mm]	C [mm]	D [mm]	φG [mm]	H [mm]
UWV1-2T use	BAS-1, HRT-16E	78	157	196	39	19
UWV1-5T use	BAS-2, HRT-18E	78	177	220	43	20
UWV1-10T use	BAS-3, HRT-25E	105	233	303	70	35
UWV1-20T use	BAS-4, REB-5	135	377	477	100	43

Item	I [mm]	φJ [mm]	Weight [kg]
UWV1-2T use	15.3	16	2.4
UWV1-5T use	16.3	18	2.5
UWV1-10T use	25.3	25	5.4
UWV1-20T use	39	40	16.5