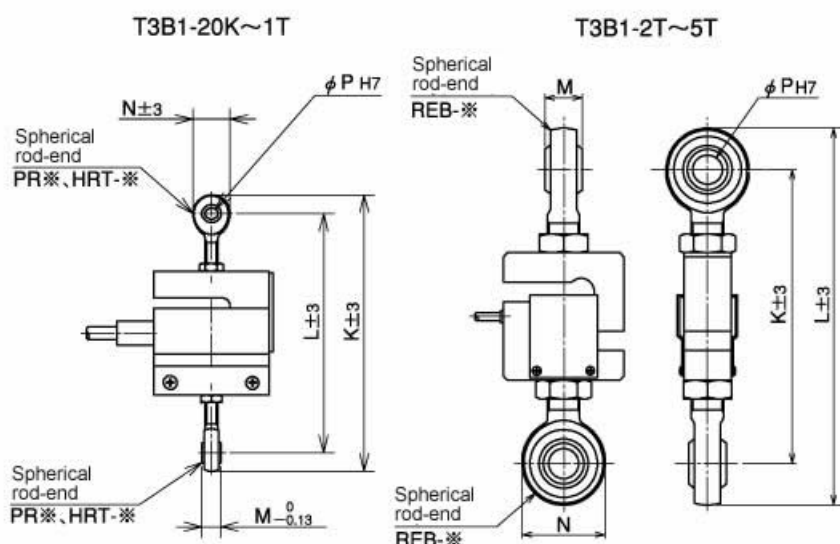


## REB/PR/HRT series REB3

2023/03/22

## T3B1 series spherical rod-end



Item	Accessory part No.	K [mm]	L [mm]	M [mm]	N [mm]	φP [mm]
T3B1-20K~T3B1-50K use	PR-6E	134	116	9	18	6
T3B1-100K use	PR-6E	144	126	9	18	6
T3B1-200K~T3B1-1T use(PR-6E)	PR-12E	176	146	16	30	12
T3B1-200K~T3B1-1T use(HRT-12E)	HRT-12E	194	160	16	34	12
T3B1-2T use	REB-4A	219	281	28	62	22
T3B1-5T use	REB-4A	226	288	28	62	22

Item	Weight [g]
T3B1-20K~T3B1-50K use	20
T3B1-100K use	20
T3B1-200K~T3B1-1T use(PR-6E)	100
T3B1-200K~T3B1-1T use(HRT-12E)	125
T3B1-2T use	1150
T3B1-5T use	1150