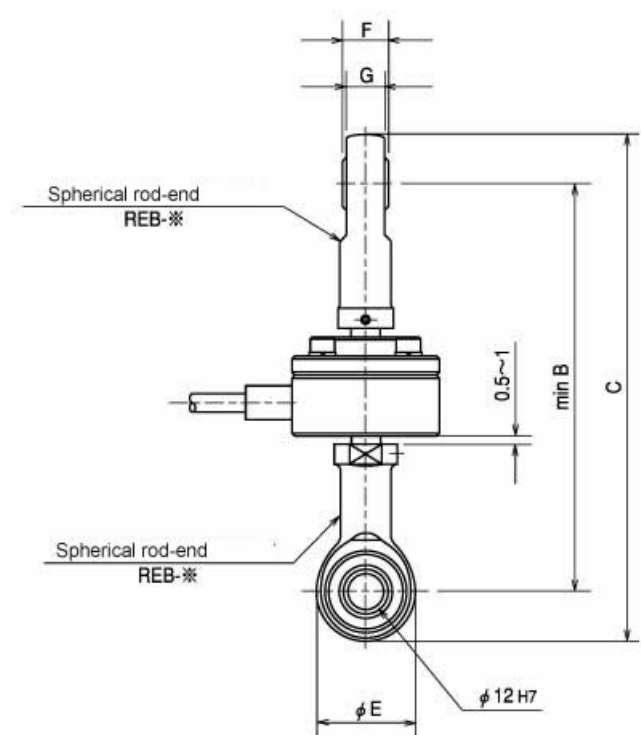


## REB/PR/HRT series REB6

2023/03/22

## UMM1 series spherical rod-end



Item	Accessory part No.	B [mm]	C [mm]	φE [mm]	F [mm]	G [mm]
UMM1-50K~UMM1-2T use	REB-1	140	175	34	16	13.25
UMM1-50K~UMM1-500K use	REB-1L	140	170	30	16	12

Item	Stopper screw / Hexagon nut [mm]	Weight [g]
UMM1-50K~UMM1-2T use	M3 x 0.5	131
UMM1-50K~UMM1-500K use	M3 x 0.5	109