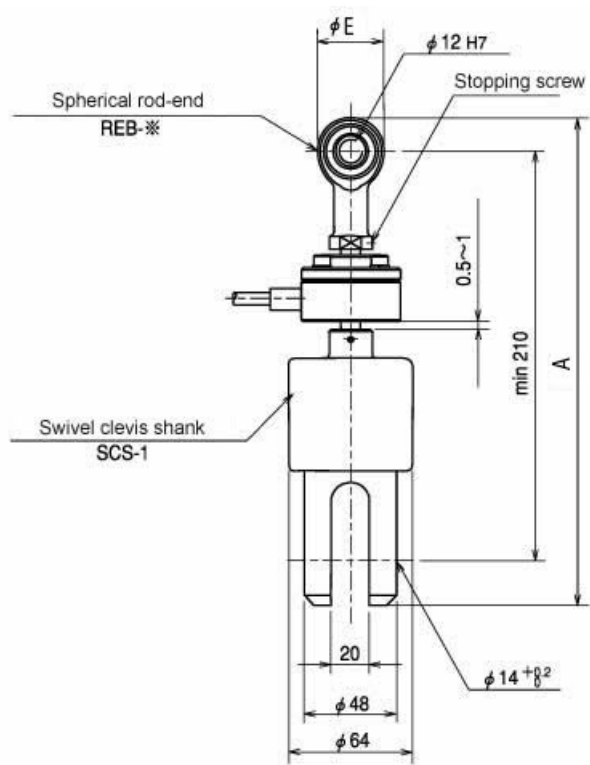


SCS series SCS2

2023/03/22

UMM1 series swivel clevis shank + spherical rod end



Item	Accessory part No.	A [mm]	φE [mm]	Stopper screw / Hexagon nut [mm]	Weight [g]
UMM1-50K~UMM1-2T use	REB-1, SCS-1	250	34	M3 x 0.5	1.98
UMM1-50K~UMM1-500K use	REB-1L, SCS-1	248	30	M3 x 0.5	1.97