

## SPECIFICATIONS

Summing type junction Box

B-307-※

SPEC.No. EN353307-E

1/2

### 1. General

This instrument is applied when the signals from Minebea's digital load cell are summed up to 4(four) pieces.

### 2. Specifications

- P/No. B-307-※
- Protective construction IP54
- Clamping gland Flame resisting, dustproof, and waterproof type(Material : Nylon66)
- Applied cable diameter  $\phi$  6.5 mm or more ,  $\phi$  8.5 mm or less for transducer application  
over  $\phi$  8.5 mm ,  $\phi$  10.5 mm or less for amplifier application
- Balance adjustment 4(four) points(for adjustment of bridge voltage)
- Paint color Mansell 5Y7/1
- Weight Approx. 0.9 kg

### 3. Parts No.

B-307-

①

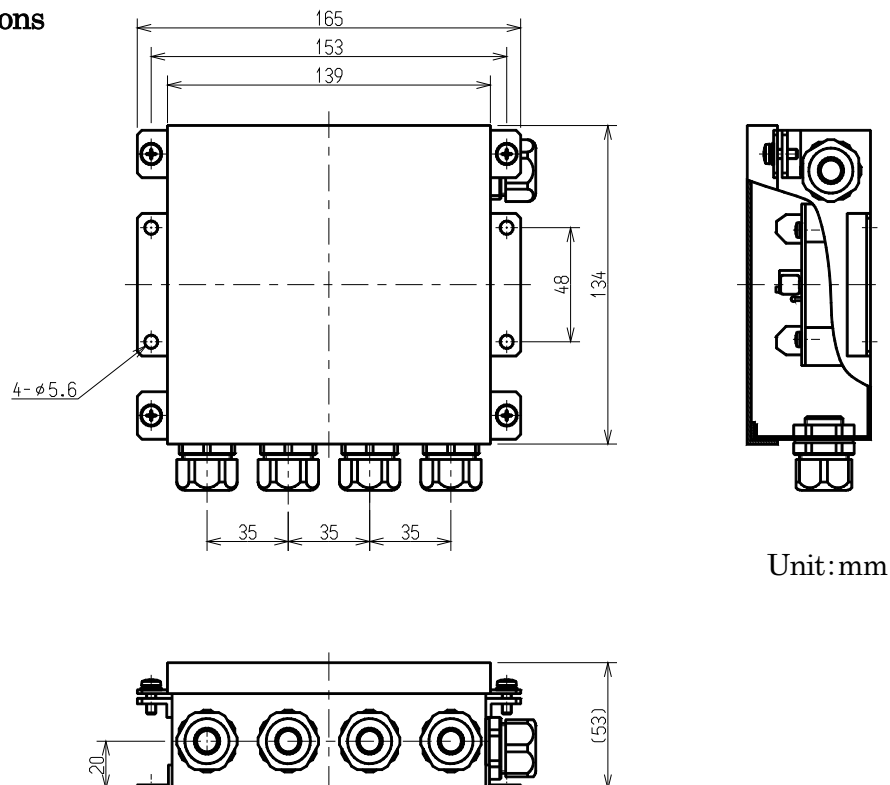
| ①No. of adding points |                  |
|-----------------------|------------------|
| No.                   | Specification    |
| 2                     | Summing 2 points |
| 3                     | Summing 3 points |
| 4                     | Summing 4 points |

### 4. Options

- Tightening ground

| Suitable cable diameter                       | P/No.    |
|---|----------|
| $\phi$ 6.5 mm or more , $\phi$ 8.5 mm or less | SCL-L10A |
| over $\phi$ 8.5 mm , $\phi$ 10.5 mm or less   | SCL-L10B |
| Dammy ground                                  | SCL-L10Z |

### 5. Outline dimensions



## SPECIFICATIONS

B-307-※

SPEC.No. EN353307-E

2/2

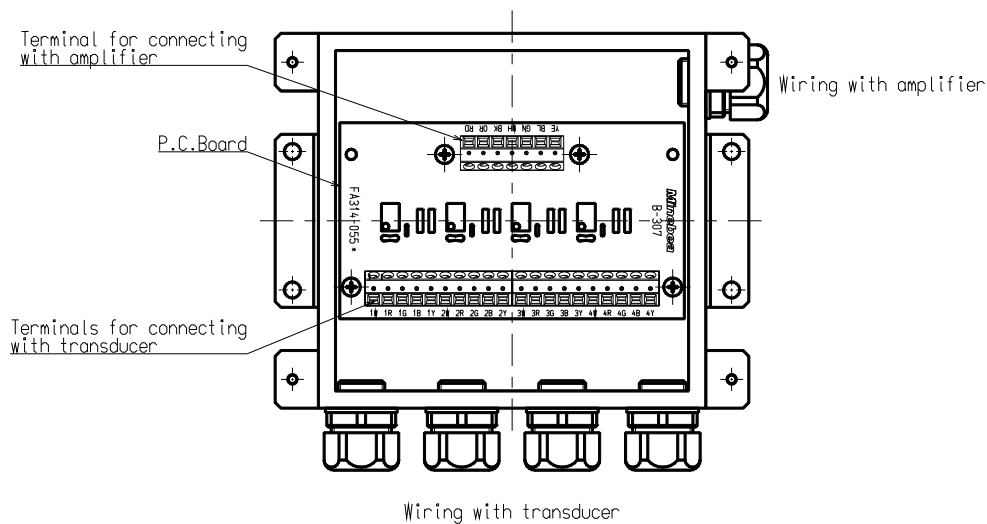
### 6. Wiring diagram

#### 6-1. Wiring of amplifier (The cable color is Minebea's standard color.)

| Terminal Name | Cable color of transducer | Remarks   |
|---------------|---------------------------|---|
| RD            | Red                       |   |
| OR            | Orange                    | The wiring for the OR and BK is unnecessary for the four-wire system. |
| BK            | Black                     |   |
| WH            | White                     |   |
| GN            | Green                     |   |
| BL            | Blue                      |   |
| YE            | Shield                    |   |

#### 6-2. Wiring of transducers (The cable color is Minebea's standard color.)

| Terminal Name  | Cable color of transducer |
|----------------|---------------------------|
| W(1W,2W,3W,4W) | White                     |
| R(1R,2R,3R,4R) | Red                       |
| G(1G,2G,3G,4G) | Green                     |
| B(1B,2B,3B,4B) | Blue                      |
| Y(1Y,2Y,3Y,4Y) | Shield (Yellow)           |



※Specifications and outline dimensions and so on which have printed may subject to change for the purpose of improvement without notice.