

Specifications

Summing type junction box

SB-320-**-**-**-*

Spec.No. EN353320-5-A

1/2

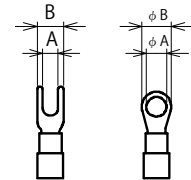
1. General

The instrument is used for summing the signals from strain gage applied transducers up to Four (4) pieces.

2. General Specifications

- P/N SB-320
- Protective construction IP67
- No. of adding points Four (4) points at maximum
- Applicable diameter of cable $\phi 3$ mm to $\phi 14$ mm
- Material of case SPS-13 (SUS304 or equivalent)
- Operating temperature -10 °C to 70 °C
- Weight Approx. 6.7 kg
- Explosion-proof structure Intrinsically safe explosion-proof structure

Suitable attachment terminal



(It is applied when using our company's load cell of explosion-proof acceptable type and Z961/964 that is zener barrier(safety barrier))

3. Parts No.

SB-320 - - - -
 ① ② ③ ④

① No. of adding points

No.	Specifications
2	Summing 2 points
3	Summing 3 points
4	Summing 4 points

② Type of the ground

No.	Specifications
A	Cable ground
B	Piping ground PF1/2

③ Applicable diameter of cable (Transducer side)

No.	Specifications
6	$\phi 3$ mm or more, $\phi 7$ mm or less
10	over $\phi 7$ mm, $\phi 11$ mm or less
14	over $\phi 11$ mm, $\phi 14$ mm or less

This model that is include applicable diameter of cable No.14 is not covered by intrinsically safe explosion-proof structure

④ Applicable diameter of cable (Amplifier side)

No.	Specifications
6	$\phi 3$ mm or more, $\phi 7$ mm or less
10	over $\phi 7$ mm, $\phi 11$ mm or less
14	over $\phi 11$ mm, $\phi 14$ mm or less
Blank	When the cable diameter on the amplifier side and the transducer side is the same.

This model that is include applicable diameter of cable No.14 is not covered by intrinsically safe explosion-proof structure

4. Accessories

- Short bar 2 pieces for each terminals for connecting the transducer
- Instruction manual 1 piece

Specifications

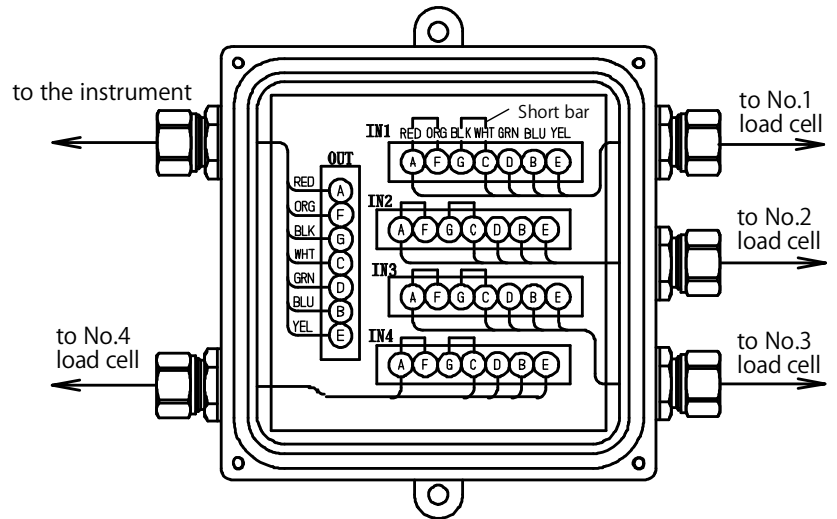
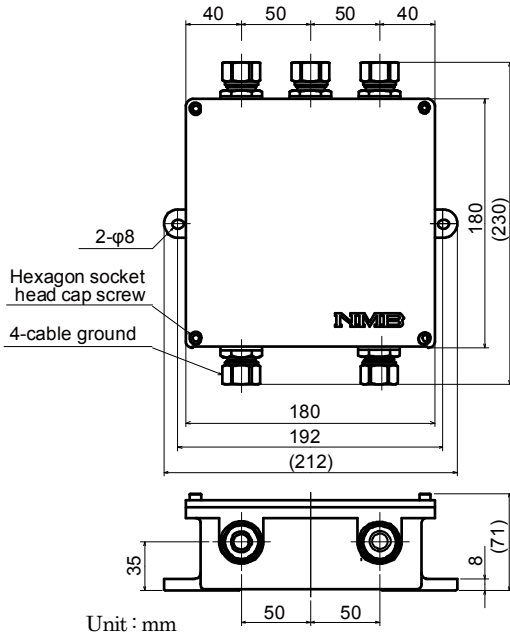
SB-320-**-**-**-*

Spec.No. EN353320-5-A

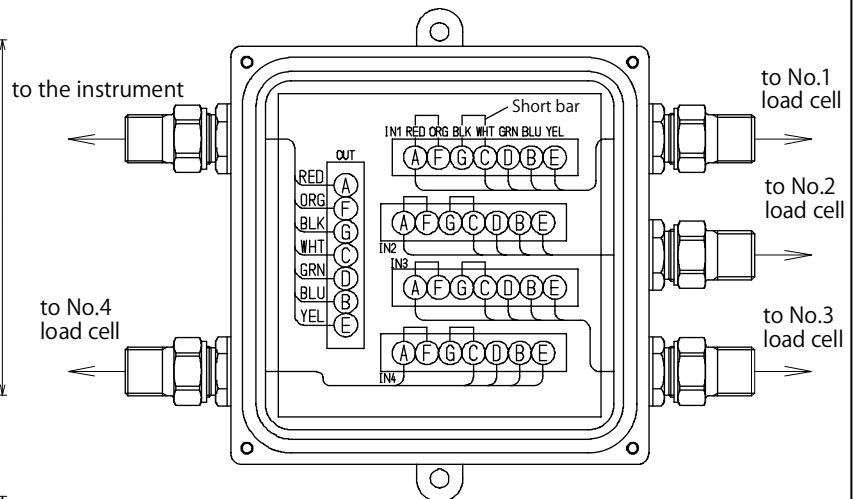
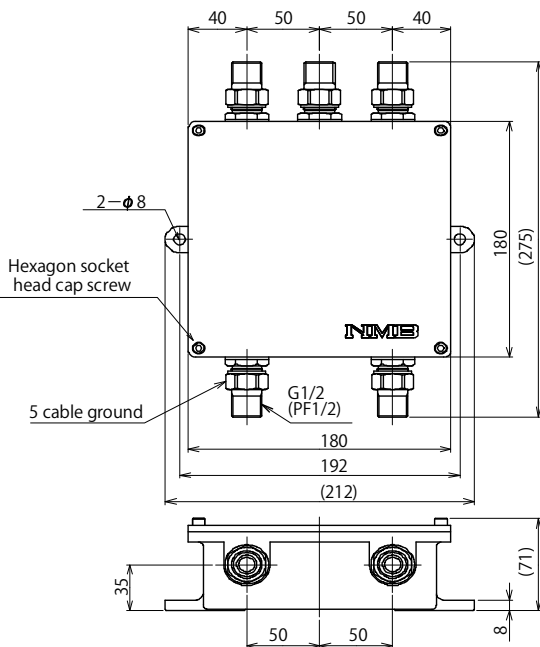
2/2

5. Outline dimensions

(Dimensional tolerance : JIS B 0403)



Parts No. : SB-320-4-A-*



Parts No. : SB-320-4-B-*

Caution

- 1) When the instrument is installed in outdoors, be sure to locate with the upper cover upward or in the vertical direction. And when vertical installation is required, set it in the status of drawing direction of ground for piping in parallel with the ground.
- 2) When deterioration of insulation is considered due to wide range of temperature change, fill the instrument with white Vaseline after cable connection is completed. (Dryer will do.)

* Specifications and outline dimensions and so which have printed may subject to change for the purpose of improvement.