



Object Type C2K1-※, C2T1-※  
CC002-※

## INSTRUCTION MANUAL

( For Truck Scale Type Load Cells )

Read this instruction manual with care before using this product.  
Be sure to observe the important points mentioned in this manual . Keep this manual in custody near by in such a way that you may refer thereto anytime , if required .

**The symbols used in this manual are as follows and have the following meanings .**

Matters which you must not do absolutely or pay full attention to or keep in mind are marked with the following symbols . Read the sentences marked with these symbols without fall .

	<b>NOTE</b> :If this rule is not complied with , a trouble of injury or accident will be , caused , resulting in endangering human body . What is explained here must not be done absolutely .
--	---

	This shows an important point or limitation when carrying out operation or doing work . Be sure to read without fall in order to avoid doing in a wrong way .
--	--

### 1. Preface

Thank you very much for your purchase of MinebeaMitsumi type load cell .  
To begin with , check whether or not the delivered load cell has been damaged in transit or its type is correct as specified . If found defective , be sure to contact the agent from which you purchased this product or sales office . Refer to the catalogue or specification for the details of specification of the respective types .

### 2. Outline

The truck scale type load cell is suited best for truck scale , multi-point system platform type platform scales . It can be used also for detection of load of such measuring systems .

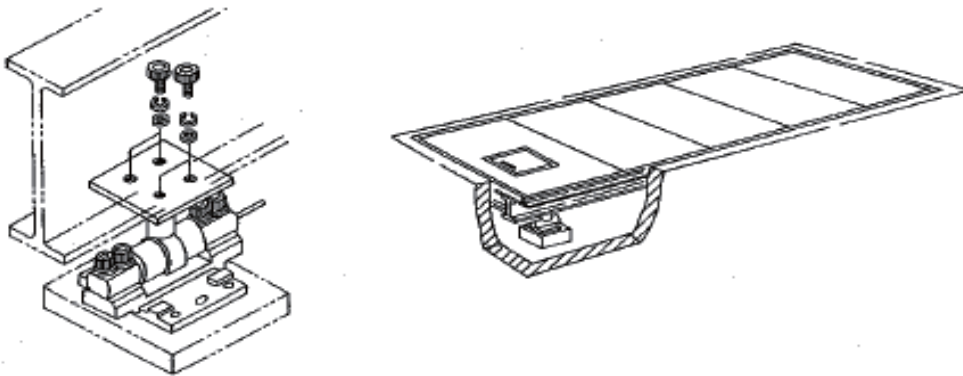
	<b>NOTE</b>	<ul style="list-style-type: none"> <li>▪ In case of static loads , use the load cell within the range of rated capacities . In case of dynamic loads , use it less than 70% of the rated capacity .</li> <li>▪ Do not apply a voltage exceeding the max . applying voltage to the input terminal .</li> <li>▪ Fit this load cell with hexagonal (holed) bolts . The bolt sizes to be used are mentioned in the catalogue and specification . Select bolts higher than strength class10.9 of JIS B 1051.</li> <li>▪ Under such circumstances that screws tend to loosen , be sure to retighten them periodically or provide detent if required .</li> <li>▪ When fitting it to medical machines or apparatuses involving human life , be sure to provide a protective circuit in preparation for functional failure of load cell .</li> <li>▪ If used under special operating circumstances , be sure to consult with us once before starting use .</li> <li>▪ As it is a heavy unit , take full care when handling .</li> </ul>
--	-------------	---

3. Fitting method

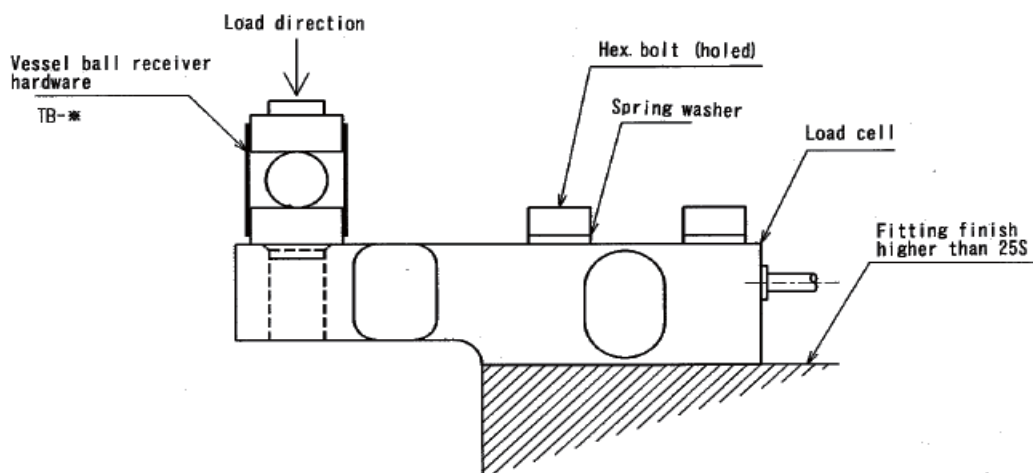
- ① Using hexagonal bolts (holed) , fit the load cell as illustrated hereunder .  
Use spring washers for prevention of loosening .
- ② Select fitting bolts higher than strength class 10.9 of JIS B 1051 .  
If stainless steel bolts are used , use bolts of strength class 80 of JIS B1054 .
- ③ As for the fitting length of screws , it shall be longer than the nominal diameter of screw .The pedestal must have full rigidity and flat, higher than 25s in surface finish .
- ④ Fit it in such a way that no dust or foreign matter is not held between .
- ⑤ The bolt sizes to be used shall be those mentioned in the catalogue and specification .
- ⑥ The proper tightening torques shall be adopted , referring to the following table .

NOMINAL DIA .OF BOLT	PROPER TIGHTENING TORQUE(N-m)	
	(N·m)	(kgf·cm)
16	279	2850
18	382	3900
20	539	5500
24	785	8000

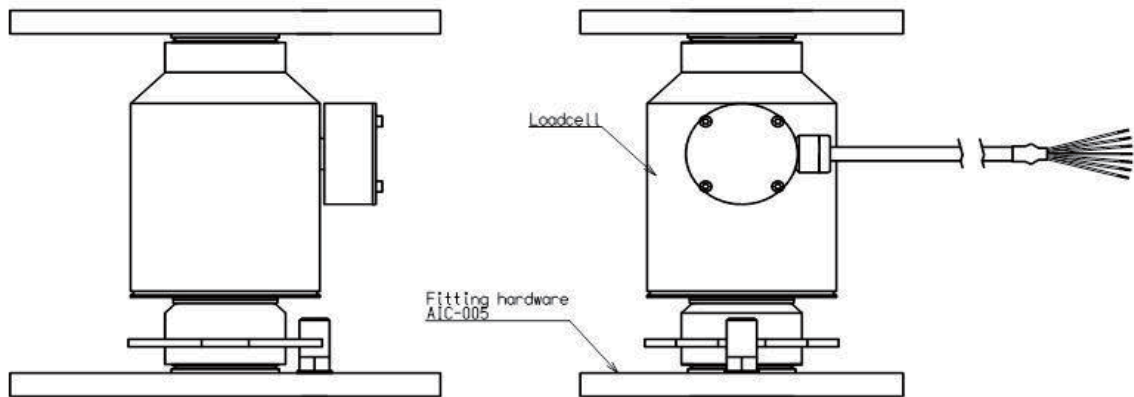
●C2K1



●C2T1



## ●CC002



## ACCESSORIES

For making better measurement ,fitting hard wares and spherical ball receivers which are separate-priced , are available .



## 4. Important points for use

- ① In case of static loads , use it within the range of rated capacities .  
In case of dynamic loads , use it less than 70% of rated capacities .
- ② If there should be an impact load or vibration , a dynamic load calculated by multiplying static load by acceleration will act on the load cell .  
Therefore , take a measure to prevent the value calculated by taking into consideration acceleration from exceeding the rated capacity of load cell .
- ③ If there is a possibility that an overload will act on load cell , provide a safety device against damage .
- ④ The installing place must have full strength .
- ⑤ Use it in an ambient temperature within the range temperature compensation range .
- ⑥ Be sure to avoid a rapid change in temperature and direct heat .
- ⑦ Checking protecting class , use it in such an environmental condition free from formation of dew .
- ⑧ Under such circumstances where electric and magnetic fields are very strong , noise is generated sometimes .Therefore , avoid using it at such circumstances .
- ⑨ The diaphragm block is thin-walled tends to be scratched .  
Full care must be taken when handling . (CC002)
- ⑩ Do not bend the cable lead hole extremely or pull strongly . When carrying it from place to place , do not hold the cable to suspend the load cell .
- ⑪ Under vibrating circumstances , fix the cord in the vicinity of cable lead hole and provide a means for prevention of vibration thereto .
- ⑫ Under such circumstances where screws tend to be loosened , retighten periodically and provide a detent means thereto , if required .
- ⑬ When fitting it to medical treatment machines and other apparatuses involving human life , be sure to provide a protective circuit thereto , in preparation for functional failure of load cell .
- ⑭ Do not disassemble the load cell .
- ⑮ Do not drop any thing on the load cell or give a shock thereto .
- ⑯ When discarded , dispose of it , taking into full consideration the environmental condition .
- ⑰ As it is a heavy unit , take full care when handling .

## 5. Wirings

- ① Connect the lead wires with the specified terminals of gauges .

	INPUT		OUTPUT		SHIELD
	(+)	(-)	(+)	(-)	
COLOR OF CABLE LEAD	Red	white	Green	Blue	Yellow
STD CONNECTOR WIRING	A	C	D	B	E

- ② Refer to the operation manual of gauge the terminals of gauges .

## 6. Trouble shooting

If an overload exceeding the allowable value is applied or if an overload other than center load is applied , be sure to make calibration again in order to check whether it can be used normally .If indication is unstable or abnormal , check whether or not connection with gauge is made correctly and reliably or the important matters in use in item 4 are used properly .

- ① Check whether or not the input/output resistance is within the range of specified values with a tester etc .
- ② Check whether or not the insulation resistance of load cell body and core wires of cord is within the specified range of values .
- ③ Check whether or not the output (zero balance) without load is within the range of specified values .

If the values of the abovementioned measurement are abnormal , be sure to contact our company at once .

If there should be an unknown point in connection method etc ., contact our company .

Understand the text of the this manual is subject to change without notice .