

LOADCELL TYPE UMM1J-50K to 2T

SPECIFICATIONS

● PERFORMANCE

Rated capacity(R.C.) : 490.3 N(50 kgf),
980.7 N(100 kgf),
1.961 kN(200 kgf),
4.903 kN(500 kgf),
9.807 kN(1 tf),
19.61 kN(2 tf)

Safe overload : 150 %R.C.
Ultimate overload : 200 %R.C.

Rated output(R.O.) : 2 mV/V±0.01 mV/V(COMPRESSION)
-2 mV/V±0.01 mV/V(TENSION)

Non-linearity : 0.15 %R.O.
Hysteresis : 0.1 %R.O.
Repeatability : 0.05 %R.O.

● ELECTRICAL

Recommended excitation : 12 V or under
Maximum excitation : 18 V
Zero balance : ±0.06 mV/V
Input terminal resistance : 425 Ω±50 Ω
Output terminal resistance : 350 Ω±5 Ω
Insulation resistance : 2000 MΩ or more(DC50V)
(Bridge-Body)

● TEMPERATURE

Compensated temperature range : -10 ℃ to 70 ℃
Safe temperature range : -20 ℃ to 80 ℃
Temperature effect : ±0.05 %R.O./10℃
on zero balance
Temperature effect : ±0.1 LOAD/10℃
on output

● THE OTHERS

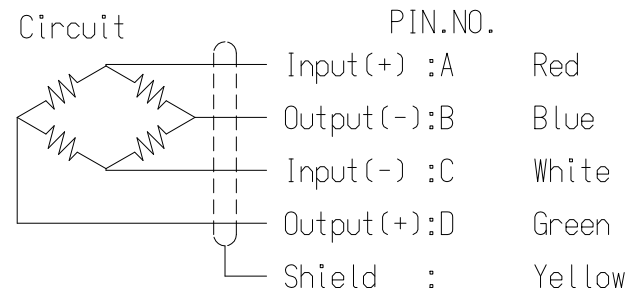
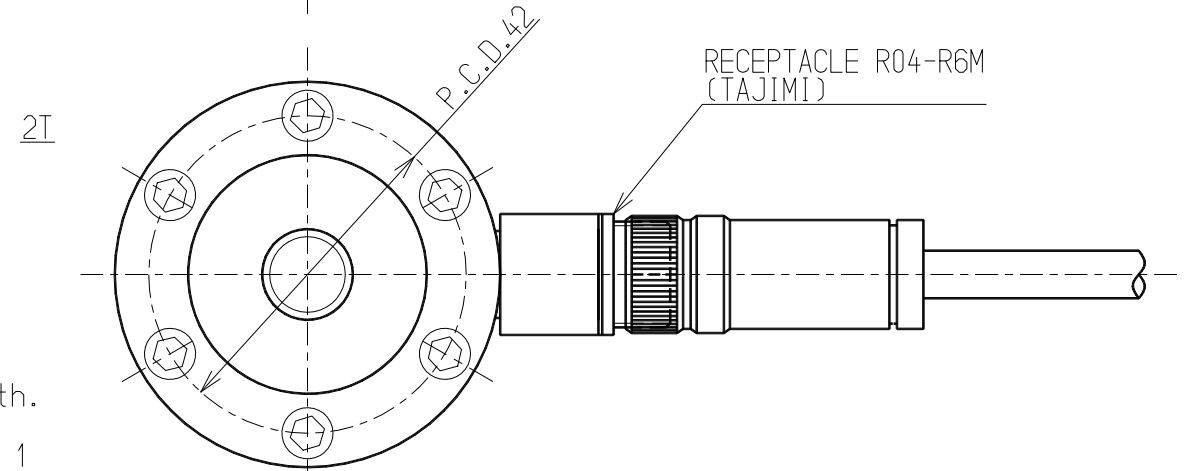
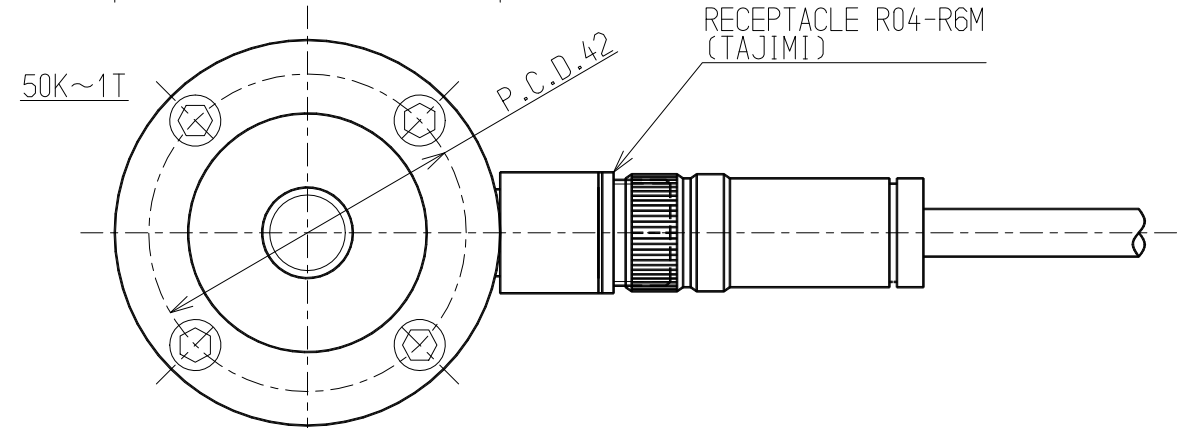
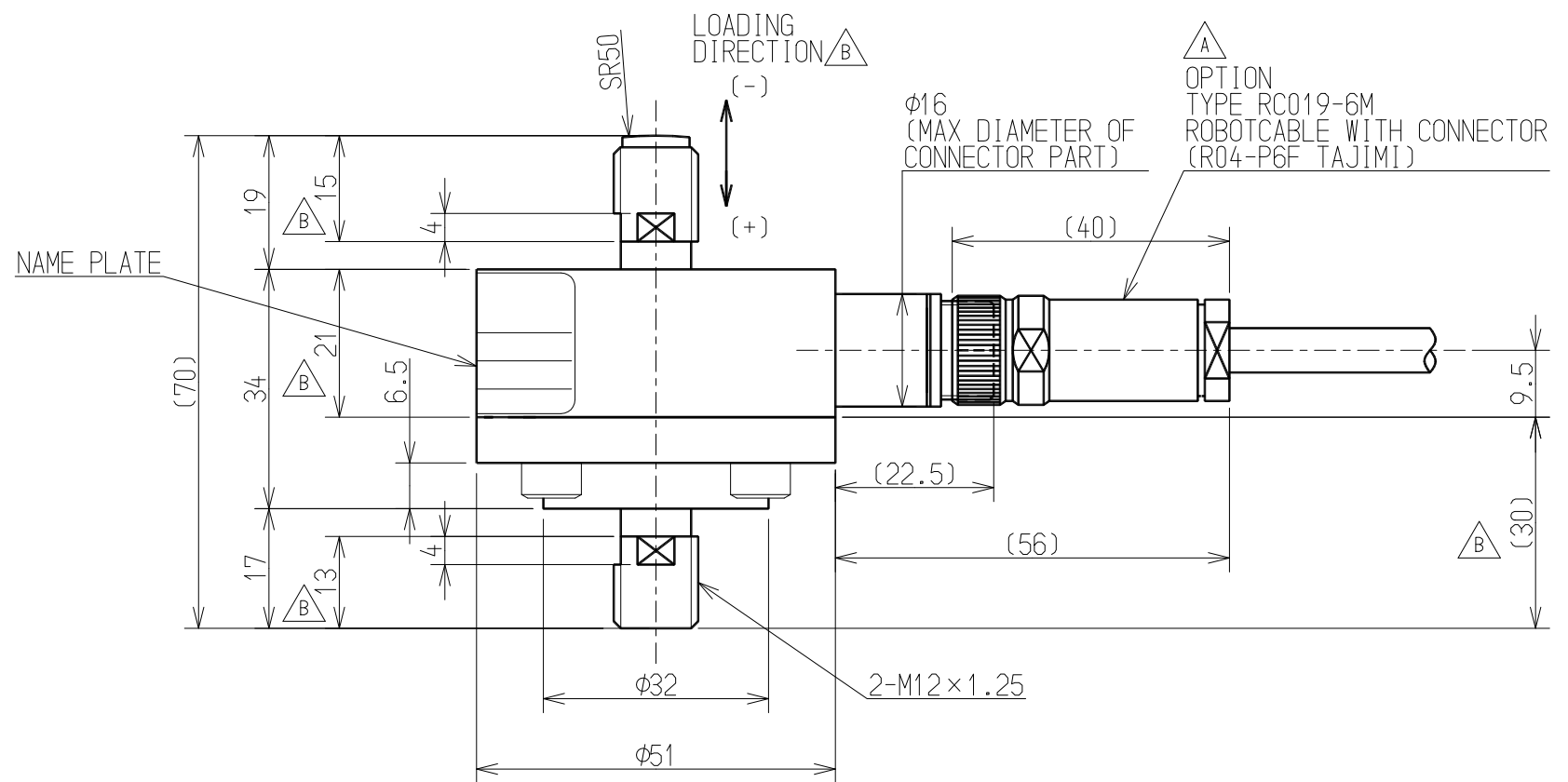
Receptacle : R04-R6M(TAJIMI)
Cable(Option) : TYPE RC019-6M
Φ6.3 4 core shield Robotcable 6m
Loadcell side R04-P6F
Another side Y-terminal

IP class : IP67
Weight : Applox 0.6 kg
Material : Stainless steel
Fatigue life : 10⁶ under the R.C.
RoHS : Compliant

TYPE	Displacement at rated load (mm)	Natural frequency (Hz)
UMM1J-50K	0.15	3600
UMM1J-100K	0.10	5000
UMM1J-200K	0.07	6000
UMM1J-500K	0.07	7000
UMM1J-1T	0.05	10000
UMM1J-2T	0.05	10000

NOTE A
This loadcell is calibrated output, when set option cable 6m(RC019-6M). Output will change if you change cable length.

△ C <<Accessories>> Calibration certificate 1



<p>ミネベア株式会社 Minebea Co.,Ltd. センシングデバイス事業部 Sensing Device Business Unit</p>					<p>単位 UNIT : mm 尺度 SCALE : free</p>	<p>材質 MATERIAL : SURF.ROUGH. 熱処理 HEAT TREAT.</p>	<p>作成日 DATE : 2016.03.30 品名 DESCRIPTION : OUTLINE</p>
C	2016.3.30	KN16-0150	A.TAKAHASHI	F.IDE	<p>APPROVED CHECKED DRAWN F.IDE S.UCHIBORI A.Takahashi</p>	<p>熱処理 HEAT TREAT.</p>	<p>型式 MODEL NAME : UMM1J-50K to 2T 図番 DRAWING NO. : KT53253-2</p>
B	2012.7.24	KN12-0285	T.TATSUTA	F.IDE			<p>葉番 SHEET : /</p>
A	2012.4.19	KN12-0133	T.TATSUTA	F.IDE			<p>改訂 REV. : C</p>
-	2011.10.20	NEW	T.TATSUTA	F.IDE			
行号 MARK	日付 DATE	変更事項 REASON	ECN NO.	担当 ENGINEER	承認 APPROVED		