

PR1626

Minebea Intec

2023/03/22

Features



- Intrinsically safe explosion-proof interface developed especially for load cells
- Load cell output changes due to temperature effects are minimal, enabling high accuracy measurement
- Dedicated interface for load cells installed in hazardous locations
- The PR1626/60 can connect up to four 650Ω load cells
- The PR1626/61 can be connected to load cell type explosion-proof scales and connect up to eight 650Ω load cells
- W & M Approval OIML R76 class III

Specification

Specification name	Specification contents
Class of protection	IP20
Power supply voltage	DC24V(DC18V~30)
Power consumption	3.8W/6.6V
Measurement voltage	0~40mV
Operating temperature range	-10℃~55℃
Operating humidity range	-40℃~70℃
Case · Material	Makrolon
Explosion-proof [JPEX]	[E x ib Gb] II B/C(DEK19.0060 / DEK19.0059)

PR1626

Minebea Intec

2023/03/22

Explosion-proof [IECEX]	[E x ib] II B/C(PTB 18.0032)
Explosion-proof [ATEX]	II(2)G[E x ib] II B/C(PTB 02 ATEX 2056)
mounting	DIN rail mounting type
Accessories	CD(Manuals, certificates)

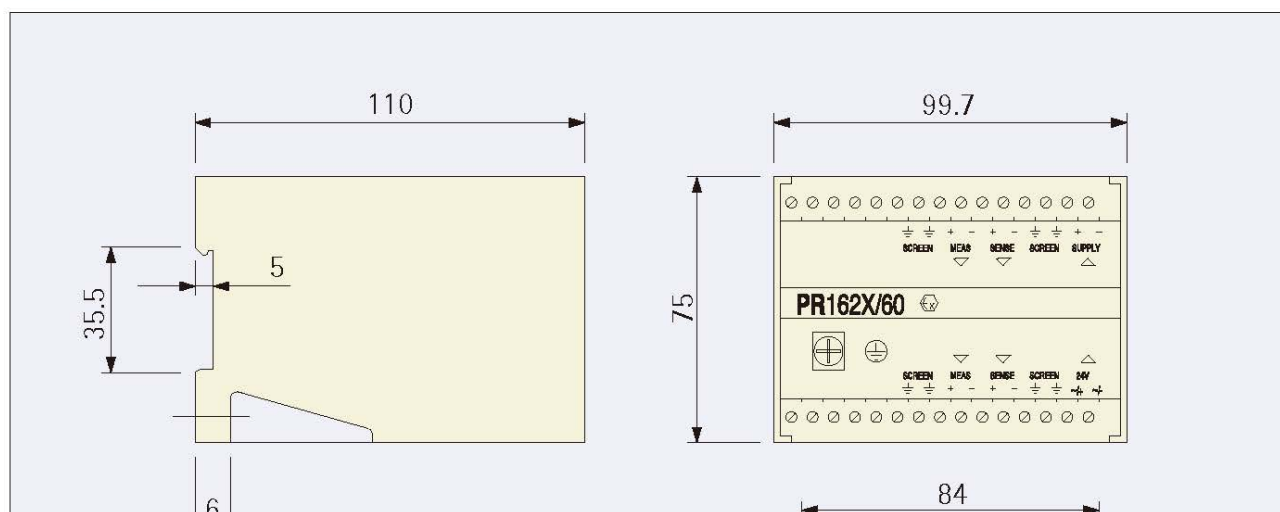
Item list

Parts No.	Load cell Nominal supply voltage [DC]	load [min.]	Weight [kg]	Gross Weight [kg]	Dimensions(W) [mm]	Dimensions(D) [mm]
PR1626/60	12V (within 80 mA)	150Ω	0.5	1	100	75
PR1626/61	7.5V (within 92 mA)	80Ω	0.5	1	100	75

Parts No.	Dimensions(H) [mm]	Specification sheet	Instruction Manual
PR1626/60	110	353PR1626-60-A.pdf	294-1947.pdf
PR1626/61	110	353PR1626-61-A.pdf	294-1947.pdf

External view

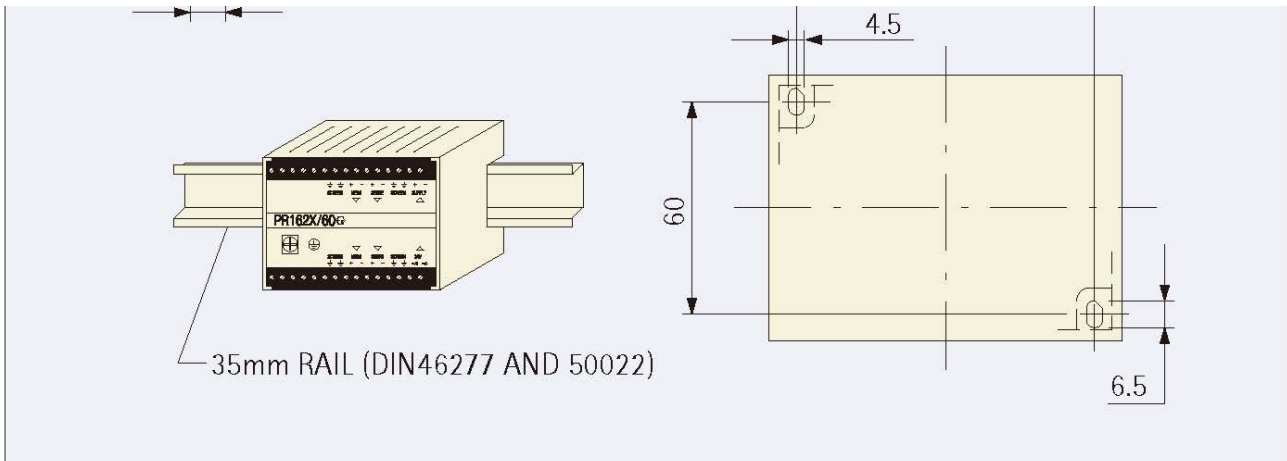
External Dimensions



PR1626

Minebea Intec

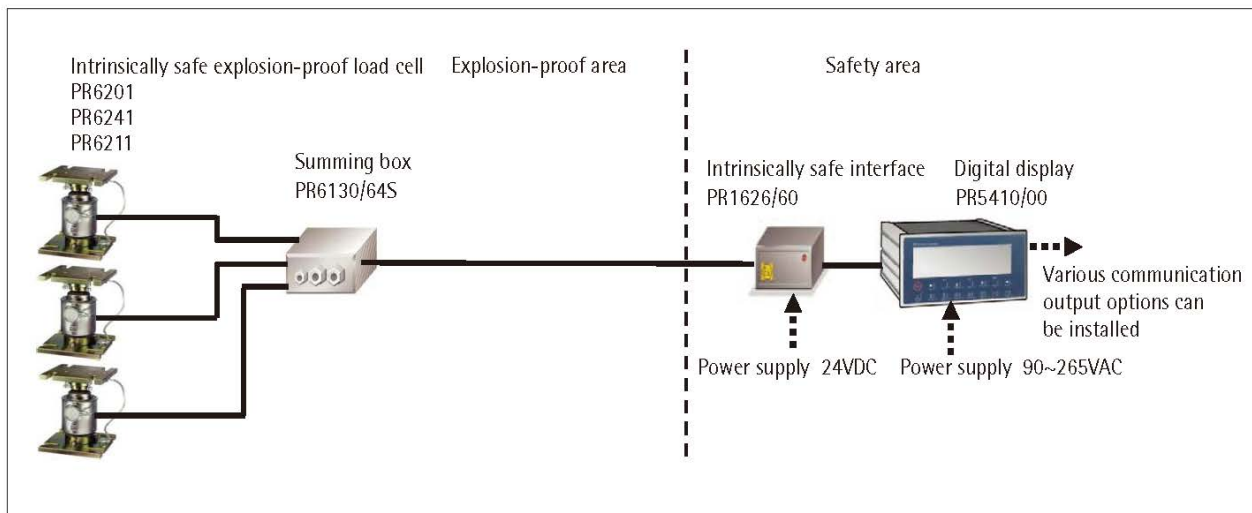
2023/03/22



Dimensions in mm

Digital Indicators

Digital Indicator



[Click here to visit the website of Intec Germany.](#)