

PR6130

Minebea Intec

2023/03/22

Features



- Up to 4 load cell units can be connected
- No problems even if jet spray adheres to the board surface
- Flame arrestor equipped as standard

Specification

Specification name	Specification contents
Class of protection	IP68/IP69
Load cell connection point	1~4点
Material	Stainless steel
Surface Preparation	Electrolytic polishing
Operating temperature range(non-hazardous area)	-30℃~80℃
Storage temperature range	-30℃~80℃

Item list

ミネベアミツミ株式会社

Copyright©MinebeaMitsumi Inc. All right reserved.

PR6130

Minebea Intec

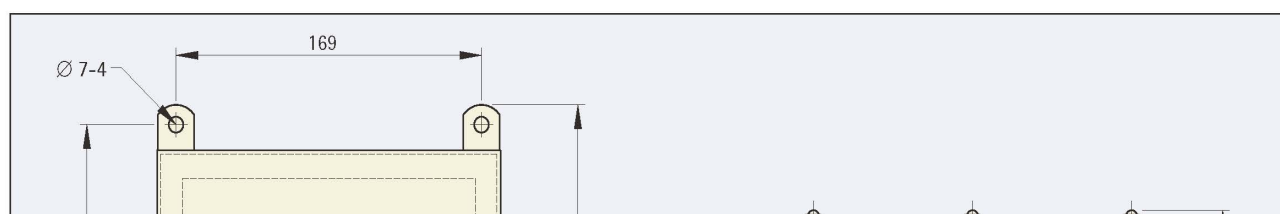
2023/03/22

Parts No.	Operating temperature range(hazardous area) lower limit [deg.C]	Operating temperature range(hazardous area) upper limit [deg.C]	Explosion-proof certification in Japan 【TIIS】	Conforms to overseas explosion protection standards 【IECEX】	Conforms to overseas explosion protection standards 【ATEX】	Accessories
PR6130/34Sa						Sealing ring for cable (M20) 13m / pc / Sealing ring for cable (M12) 13m / pcs
PR6130/64Sa	-20	60	Ex ia IIC T6 Ga (第 TC22601号)	Ex ia IIC T6/T4 Ga (IECEX DEK 13.0042 X)	II 1G Ex ia IIC T6/T4 Ga (DEKRA 13ATEX0133X)	Sealing ring for cable (M12) 13m / pcs / Hexa bag 13m / pcs

Parts No.	Weight [kg]	Gross Weight [kg]	Dimensions(W) [mm]	Dimensions(D) [mm]	Dimensions(H) [mm]	Specification sheet	Information
PR6130/34Sa	0.94	1.09	160	169	50	353PR6130_34Sa.pdf	29 19
PR6130/64Sa	1	1.1	160	190	70	353PR6130_64Sa_A.pdf	29 19

External view

External Dimensions



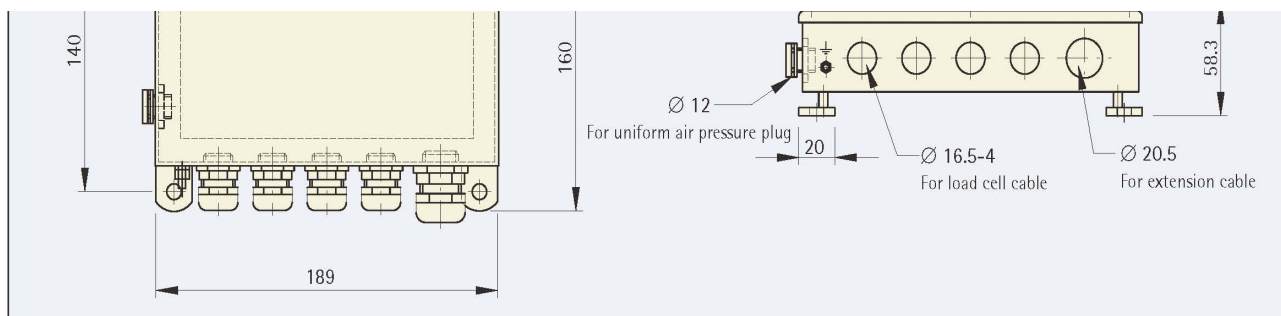
ミネベアミツミ株式会社

Copyright©MinebeaMitsumi Inc. All right reserved.

PR6130

Minebea Intec

2023/03/22



Dimensions in mm

[Click here to visit the website of Intec Germany.](#)