

Vistus-RMFZ Series

Minebea Intec

2023/03/22

Features



- Selectable combinations of coil, tube and separator
- Multi-frequency technology
- Tracking technology
- Automatic learn function
- Registers up to 200 products
- Protection class IP65

Specification

Specification name	Specification contents	Specification contents2	Specification contents3	Specification contents4	Specification contents5
Item	Vistus-RMFZ 12	Vistus-RMFZ 17.2	Vistus-RMFZ 21.6	Vistus-RMFZ 26.9	Vistus-RMFZ 34.1
Diameter of search coil	120mm	172mm	216mm	269mm	341mm
Product pass-through opening	100mm	150mm	200mm	250mm	300mm
Inner diameter of tube(PP)	96.8mm	152.2mm	190.2mm	237.8mm	299.6mm
Inner diameter of tube(ESD)	97.4mm	141.8mm	177.2mm	221.6mm	279.2mm
Inner diameter of tube(Ceramic)	80mm	100mm	150mm	200mm	250mm

Vistus-RMFZ Series

Minebea Intec

2023/03/22

Throughput※1	6,000	13,500	24,000	38,000	54,000
Supply air pressure	4.0bar~10.0bar	4.0bar~10.0bar	4.0bar~10.0bar	4.0bar~10.0bar	4.0bar~10.0bar
Reject method	Separator using compressed air solenoid valve control	Separator using compressed air solenoid valve control	Separator using compressed air solenoid valve control	Separator using compressed air solenoid valve control	Separator using compressed air solenoid valve control
Number of items in memory	50 (Option up to 200)	50 (Option up to 200)	50 (Option up to 200)	50 (Option up to 200)	50 (Option up to 200)
Display method	5.7inch color touch screen	5.7inch color touch screen	5.7inch color touch screen	5.7inch color touch screen	5.7inch color touch screen
Power supply	AC90~260V	AC90~260V	AC90~260V	AC90~260V	AC90~260V
Operating environment	-10℃~+45℃	-10℃~+45℃	-10℃~+45℃	-10℃~+45℃	-10℃~+45℃
Product temperature	-30℃~+55℃	-30℃~+55℃	-30℃~+55℃	-30℃~+55℃	-30℃~+55℃
Protection class	IP65(Option:IP69k)	IP65(Option:IP69k)	IP65(Option:IP69k)	IP65(Option:IP69k)	IP65(Option:IP69k)
Data interface	TCP-IP, RS232, RS422, CAN bus, Fieldbus, Profibus	TCP-IP, RS232, RS422, CAN bus, Fieldbus, Profibus	TCP-IP, RS232, RS422, CAN bus, Fieldbus, Profibus	TCP-IP, RS232, RS422, CAN bus, Fieldbus, Profibus	TCP-IP, RS232, RS422, CAN bus, Fieldbus, Profibus
Options	USB printing, signal light tower, buzzer, etc.	USB printing, signal light tower, buzzer, etc.	USB printing, signal light tower, buzzer, etc.	USB printing, signal light tower, buzzer, etc.	USB printing, signal light tower, buzzer, etc.

Table of P/N

Parts No.	Catalog data	Catalog data2	Catalog data3	Catalog data4
Vistus-RMFZ Series	DS_Vistus_Freefall_EC_en.pdf	DS_Vistus_Freefall_FL_en.pdf	DS_Vistus_Freefall_ST_en (Standard).pdf	DS_Vistus_Freefall_SW_en.pdf

Combine from the parts below based on product characteristics and applications

●サーチコイル



Vistus R

標準の最も感度が高いタイプ。

●チューブ



PPチューブ

ポリプロピレン製のチューブ。帯電しない製品向け。

●排出装置



ST型セパレータ

スタンダードタイプ。汎用性に優れ、安価で幅広い製品に対応します。

ミネベアミツミ株式会社

Copyright©MinebeaMitsumi Inc. All right reserved.

Vistus-RMFZ Series

Minebea Intec

2023/03/22

**ESDチューブ**

炭素化合物を含有したチューブ。帯電防止の効果があるため、コーヒーやスパイスなどの粉体向け。

**セラミックチューブ**

セラミック製のチューブ。摩耗性や高温の製品向け。製品温度150度まで対応。

**FL型セパレータ**

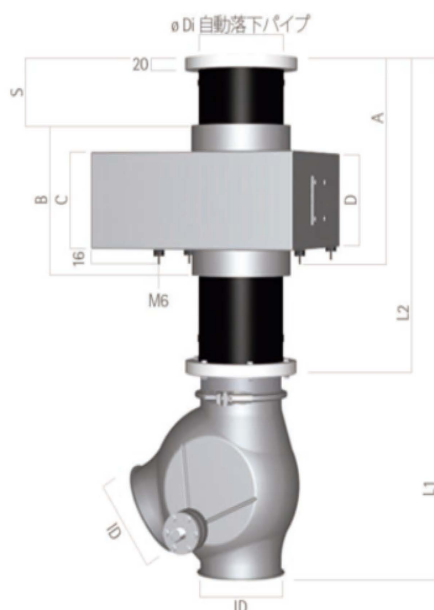
低背タイプ。RMFZと組み合わせ低メタルフリーゾーンを実現します。

**EC型セパレータ**

ハイジエニックタイプ。分解がしやすい構造のため、簡単に点検や清掃が行えます。

External view

※When selecting Vistus-R ST separator



Model	12	17/2	21.6	26.9	34.1
L2	436	525	859	1036	1243
A	308	355	395	482	545
B	240	250	260	310	320
C	160	160	160	200	200
D	160	160	160	200	200
S	96	138	173	215	273

※Dimensions vary depending on the combination

Control unit terminal

Vistus® E operator terminal

Control unit terminal

One control unit is suitable for connecting up to four search coils.

ミネベアミツミ株式会社

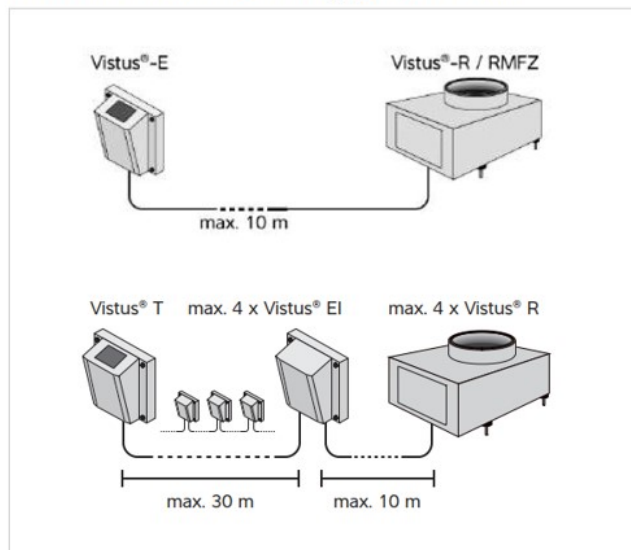
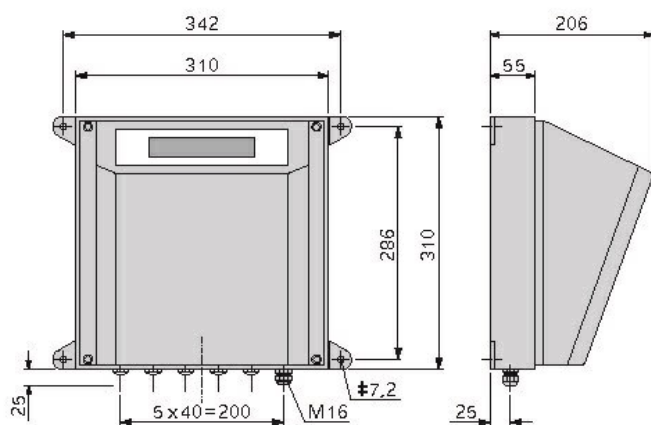
Copyright©MinebeaMitsumi Inc. All right reserved.

Vistus-RMFZ Series

Minebea Intec

2023/03/22

Scale drawing



[Click here to visit the website of Intec Germany.](#)