

Vistus-RS Series

Minebea Intec

2023/03/22

Features



- Safe detection of metallic foreign objects with the highest detection sensitivity
- Exceptionally space saving
- Simple installation and operation
- Protection class IP65

Specification

Specification name	Specification contents	Specification contents2
Item	Vistus-RS 100	Vistus-RS 150
Diameter of search coil	100mm	150mm
Power supply	AC90~260V	AC90~260V
Frequency	47Hz~63Hz	47Hz~63Hz
Power consumption	max100VA	max100VA
Product speed	0.02m/s~20m/s	0.02m/s~20m/s
Operating environment Operating range	-10°C~+55°C	-10°C~+55°C
Ambient temperature Operation	-30°C~+55°C	-30°C~+55°C
Relative air humidity Operation	<58% at + 55°C	<58% at + 55°C
Relative air humidity Storage	<30% at + 70°C	<30% at + 70°C
Protection class	IP65	IP65

Vistus-RS Series

Minebea Intec

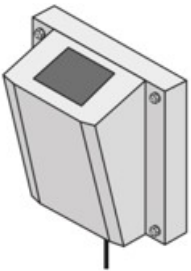
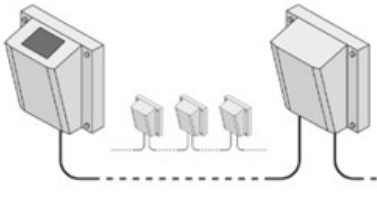
2023/03/22

Housing	1.4301 stainless steel (AISI304)	1.4301 stainless steel (AISI304)
Search tunnel material	PVC	PVC
Data interface	TCP-IP, RS232, RS422, XML server/client, Profibus	TCP-IP, RS232, RS422, XML server/client, Profibus
Options	USB printing, signal light tower, buzzer, etc.	USB printing, signal light tower, buzzer, etc.

Table of P/N

Parts No.	Catalog data
Vistus-RS Series	DS_Vistus_RS_enカタログ.pdf

Controller options

Controller Options Diagram	Parts No.	User interface	Relay outputs	Freely programmable outputs	Number of search coils	Max. cable length (between coil and terminal)
 <p>Vistus-ERS.jpg</p>	Vistus ERS	145mm 5.7" touch screen	1 x error/3 x free	4	1	5m
 <p>Vistus-T+ERSI.jpg</p>	Vistus T+Vistus ERSI	145mm 5.7" touch screen	1 x error/3 x free	4	3	35m

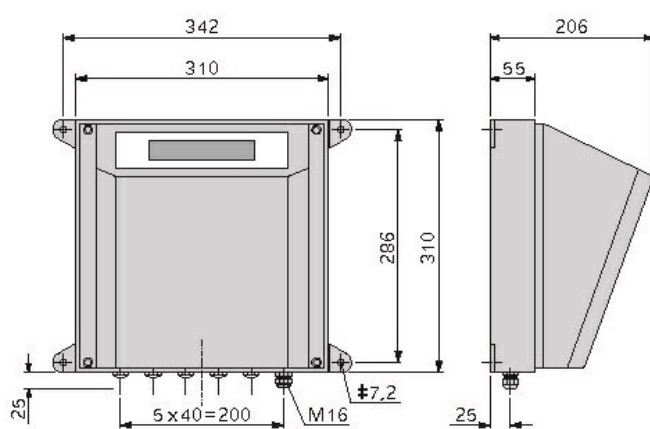
Vistus-RS Series

Minebea Intec

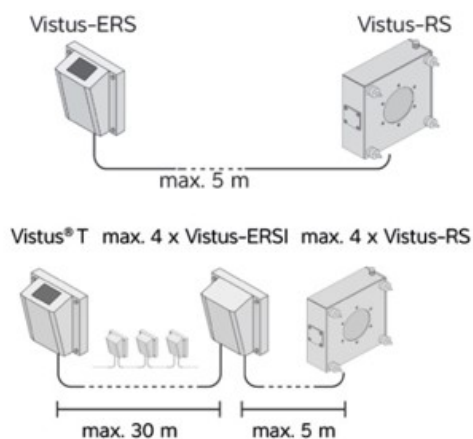
2023/03/22

Class of protection	Housing	Weight
IP65	1.4301 stainless steel (AISI304)	About 7kg
IP65	1.4301 stainless steel (AISI304)	About 7kg

Control unit terminal

Vistus® E operator terminal
Scale drawing

Control unit terminal



[Click here to visit the website of Intec Germany.](#)