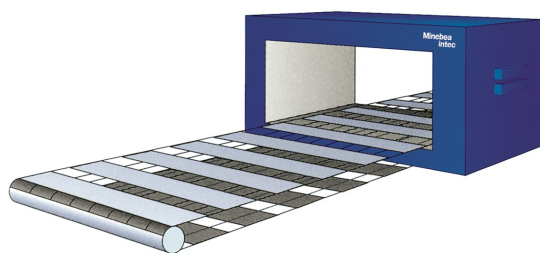


# Secus-C

Minebea Intec

2023/03/22

## Features



- Various coil sizes
- Tracking technology
- 5.7" color touch screen display
- Robust design
- Memory for 200 types of products
- Protection class IP55, IP66 optional

## Specification

Specification name	Specification contents
Power supply	90V~260V
Frequency	47Hz~63Hz
Outputs	3 freely programmable error outputs, 1 fixed output
Operating environment Operating range	-10°C~+55°C
Product temperature	-30°C~+55°C, up to +150°C if equipped with air cooling
Protection class	IP55 (standard), IP66 (option)
Housing	AISI 304 (1.3305) Steel (painted)
Data interface	TCP-IP, RS232, RS422, CAN bus, Fieldbus, Profibus
Options	Log-in by means of fingerprint sensor, Remote control, End position monitoring, Rejection monitoring, USB print, etc.

# Secus-C

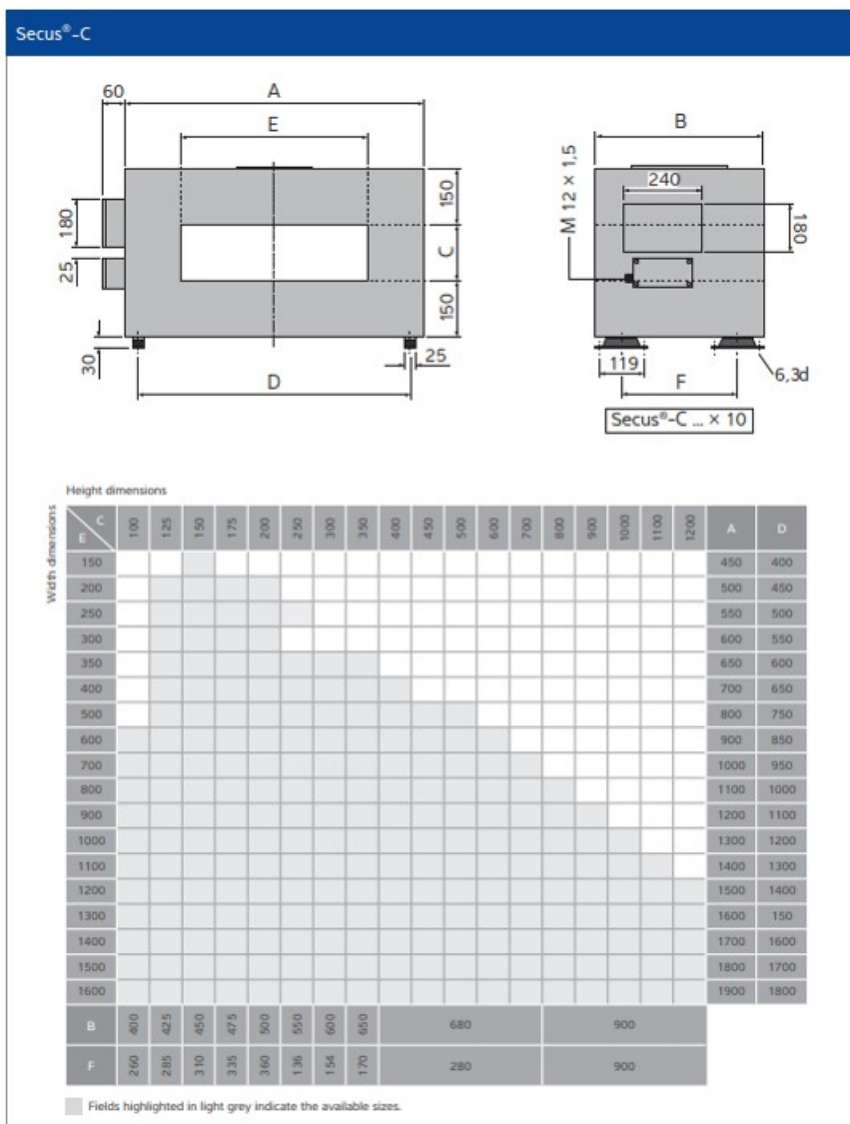
Minebea Intec

2023/03/22

## Table of P/N

Parts No.	Weight(depending on design)lower limit [kg]	Weight(depending on design)upper limit [kg]	Catalog data
Secus-C	5	500	<a href="#">DS_Secus_en.pdf</a>

## External view

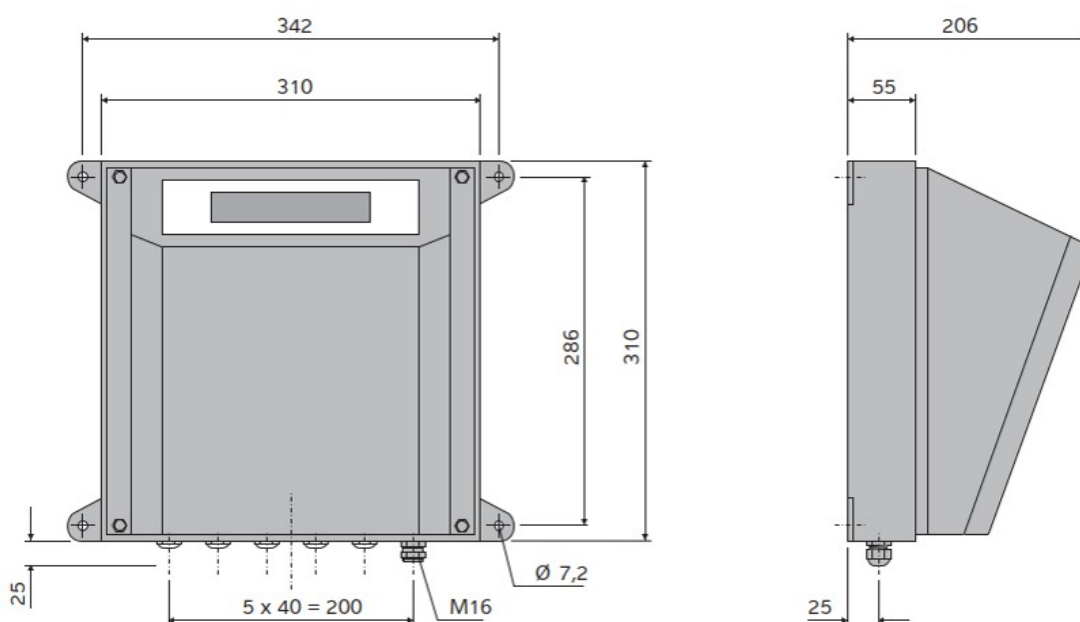


## Secus-C

Minebea Intec

2023/03/22

## Control unit terminal

Secus<sup>®</sup> Evaluation electronic

All dimensions in mm

## Control unit terminal

	Device	Function
	Secus <sup>®</sup> -E (Electronic)	Separate operator terminal with evaluation electronics
	Secus <sup>®</sup> -C (Compact)	Metal detector

	Device	Function
	Secus <sup>®</sup> -T (Terminal)	Separate operator terminal

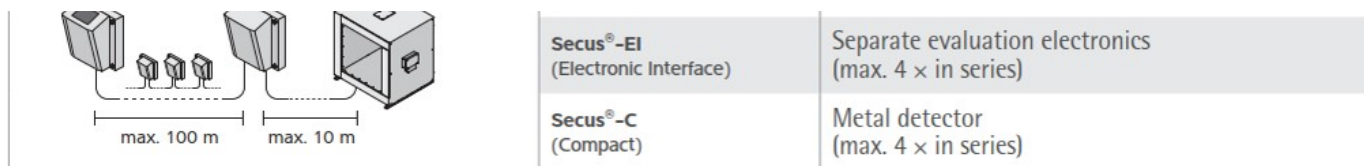
ミネベアミツミ株式会社

Copyright©MinebeaMitsumi Inc. All right reserved.

## Secus-C

Minebea Intec

2023/03/22



[Click here to visit the website of Intec Germany.](#)