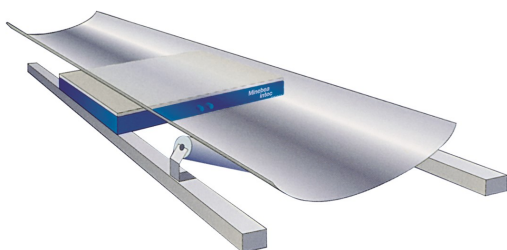


Secus-U

Minebea Intec

2023/03/22

Features



- Various coil sizes
- Tracking technology
- 5.7" color touch screen display
- Robust design
- Memory for 200 types of products
- Protection class IP55, IP66 optional

Specification

Specification name	Specification contents
Power supply	90V~260V
Frequency	47Hz~63Hz
Outputs	3 freely programmable error outputs, 1 fixed output
Operating environment Operating range	-10°C~+55°C
Product temperature	-30°C~+55°C, up to +150°C if equipped with air cooling
Protection class	IP55 (standard), IP66 (option)
Housing	AISI 304 (1.3305) Steel (painted)
Data interface	TCP-IP, RS232, RS422, CAN bus, Fieldbus, Profibus
Options	Log-in by means of fingerprint sensor, Remote control, End position monitoring, Rejection monitoring, USB print, etc.

Secus-U

Minebea Intec

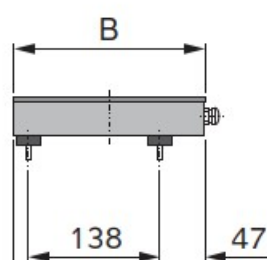
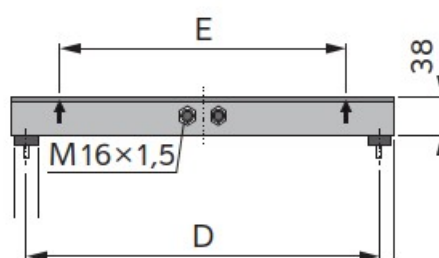
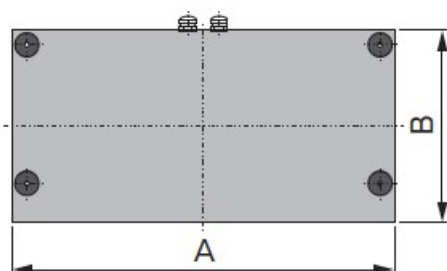
2023/03/22

Table of P/N

Parts No.	Weight(depending on design)lower limit [kg]	Weight(depending on design)upper limit [kg]	Catalog data
Secus-U	5	500	DS_Secus_en.pdf

External view

Secus[®]-U



Dimensions

Secus [®] -U	A	B	D	E	
30	400	200	370	300	
40	500	200	470	400	
50	600	200	570	500	
80	1000	400	970	800	
120	1400	400	1370	1200	

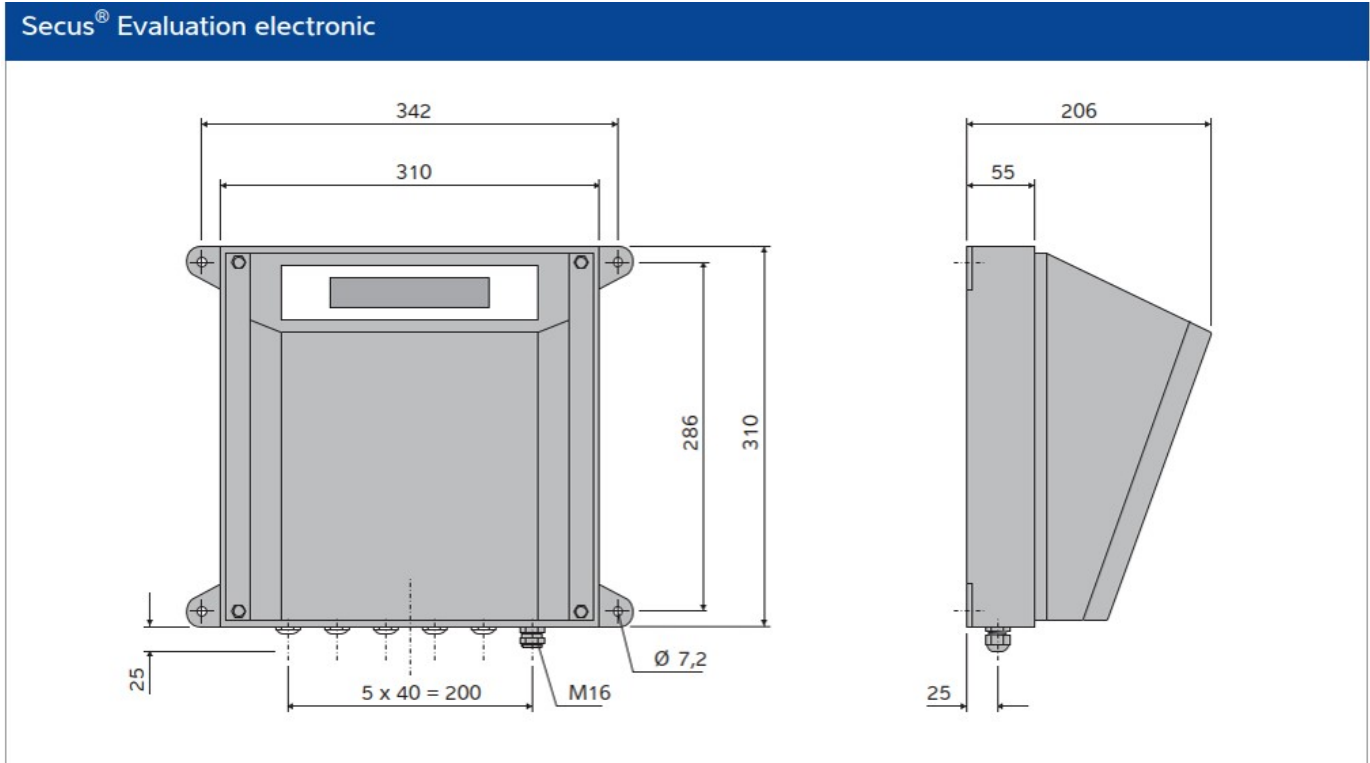
Fields highlighted in light grey indicate the available sizes.

Control unit terminal

Secus-U

Minebea Intec

2023/03/22



All dimensions in mm

Control unit terminal

	Device	Function
	Secus®-EU (Electronic for under-belt)	Separate operator terminal with evaluation electronics
	Secus®-U (Under-belt)	Under-belt metal detector

	Device	Function
	Secus®-T (Terminal)	Separate operator terminal
	Secus®-EIU (EI for under-belt)	Separate evaluation electronics (max. 4 × in series)
	Secus®-U (Under-belt)	Under-belt metal detector (max. 4 × in series)

Secus-U

Minebea Intec

2023/03/22

[Click here to visit the website of Intec Germany.](#)