

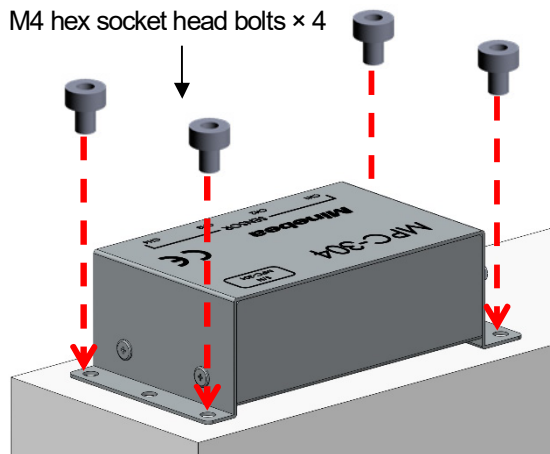
Detailed information for MPC-304 Molding Pressure Conversion Module Relay Box Mounting Procedure

For handling instructions for the overall system, refer to the MPC-203-25 Molding Pressure Conversion Module instruction manual.

Handling Instructions

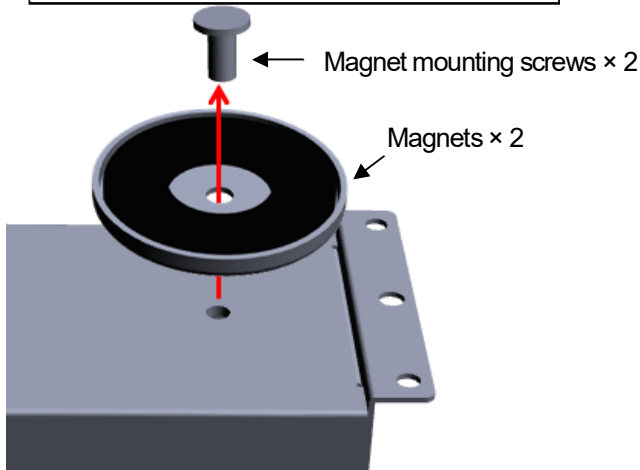
- The relay box can be mounted using the magnets or bolt-mounted using the mounting holes.
- When mounting using the magnets, attach to the moving part (platen) of the mold clamping unit. Make sure operating temperatures do not exceed 70 °C here.
- Use bolt mounting if the magnets provide insufficient magnetic attraction; if ambient temperatures at the installation location exceed 70 °C; or if the relay box is mounted to the mold.

Bolt mounting method



Mount using the M4 hex socket head bolts in two of the three holes on each side. (M4 tapped holes must be drilled in the mounting surface.)

Removing the magnets

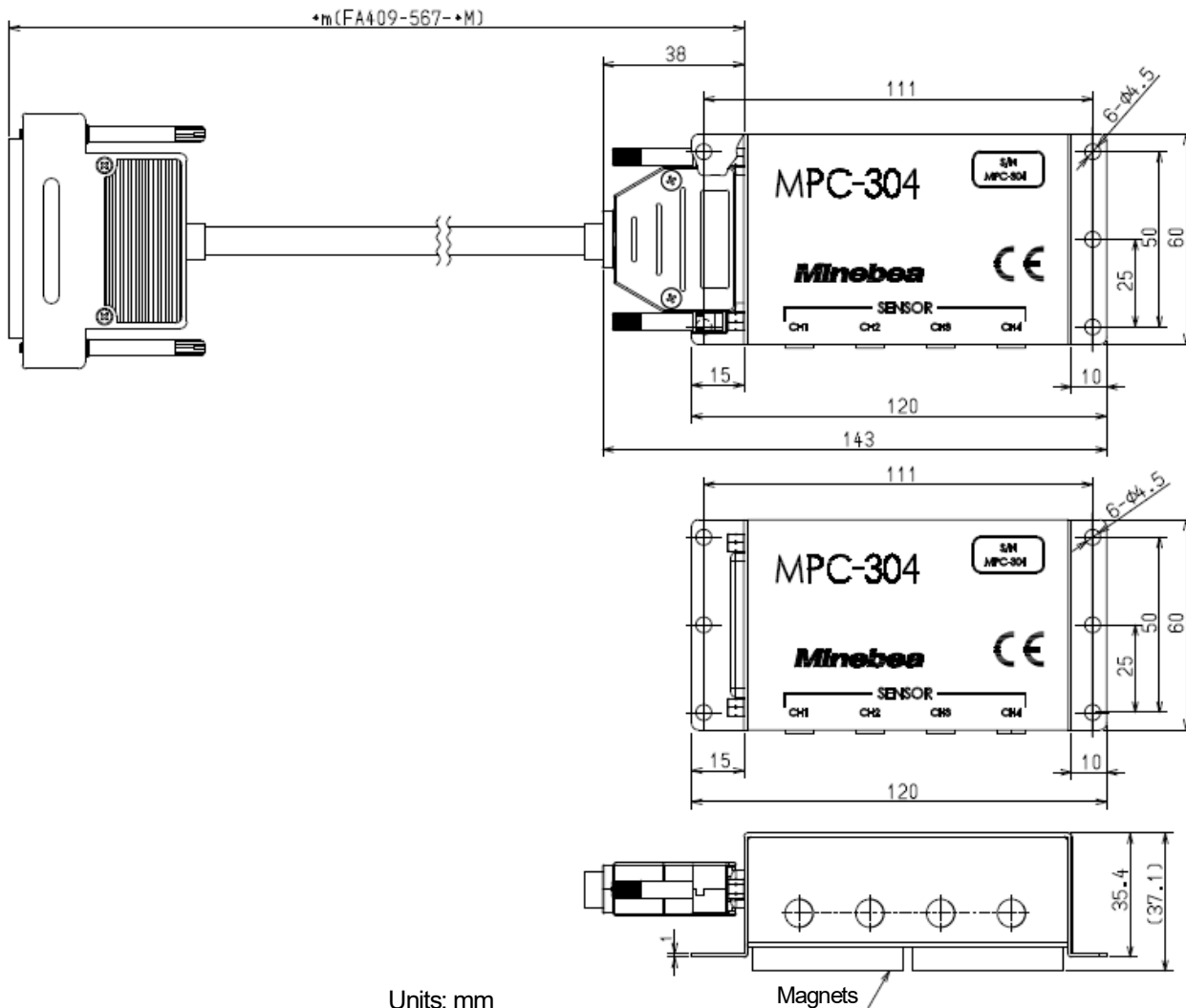


Remove the magnets before mounting using the bolts. The magnets can be removed by removing the screws in the center of the magnets.

Handling Precautions

- Make sure ambient temperatures around the box are between 0 °C and 70 °C when mounting using magnets and between 0 °C and 100 °C when bolt-mounted.
- When mounting using magnets, check to confirm sufficient magnetic attraction. If the magnetic attraction is insufficient due to mounting surface conditions or if the relay box is to be used for extended periods, mount using bolts.
- Keep credit cards and cash cards away from the magnets; the magnetic force may render them unusable.
Likewise, the magnets may also cause malfunctions if precision equipment such as PCs and mobile phones are located close by.
- Remove the magnets before mounting the box with the bolts. Otherwise, the box will not mount flush with the mounting surface.
- When mounting the box to the mold, be sure to mount using the bolts.

Exterior view



Units: mm

General specifications

- Operating temperature/humidity range
 Temperature: 0 °C to 70 °C (0 °C to 100 °C when not using magnets)
 Humidity: Max. 85 %RH (no condensation)
- Storage temperature range: -10 °C to 70 °C (-10 °C to 100 °C when not using magnets)
- Vibration resistance: 10 Hz to 55 Hz, double amplitude 1.5 mm, 2 hours in each of the directions X/Y/Z
- External dimensions (W × H × D): 120 mm × 60 mm × 35.4 mm (not including protrusions)
- Weight: Approx. 300 g (including magnets)
- Casing material: SUS430
- Compatible transducers: LSMS-S06 series, LSMSB series
- Compatible amplifiers: MPC-203-25

●The contents of this manual may subject to change without notice.

HEAD QUARTER: **MinebeaMitsumi Inc.**

4106-73 Miyota, Miyota-machi, Kitasaku gun, Nagano-ken 389-0293 Japan
Tel: +81-267-32-2200 Fax: +81-267-31-1350

Sensing Device Product Sales Management:

1-1-1, Katase, Fujisawa-shi, Kanagawa-ken, 251-8531 Japan
Tel: +81-466-23-2681 Fax: +81-466-22-7191

Sensing Device Business Unit

FUJISAWA PLANT 1-1-1, Katase, Fujisawa-shi, Kanagawa-ken, 251-8531 Japan
Tel: +81-466-22-7151 Fax: +81-466-22-1701

KARUIZAWA PLANT 4106-73 Miyota, Miyota-machi, Kitasaku gun, Nagano-ken 389-0293 Japan
Tel: +81-267-31-1309 Fax: +81-267-31-1353

HOME PAGE ADDRESS <http://www.minebea-mcd.com>