

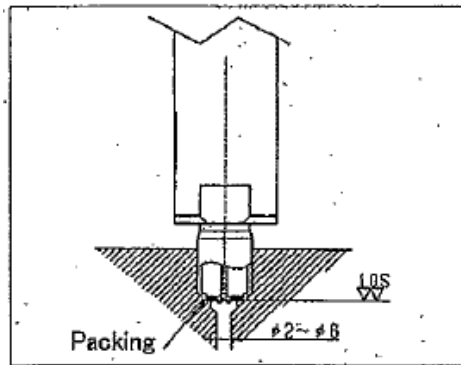
INSUTRUCTION MANUAL FOR PRESSURE TRANSDUCER

Thank you for purchasing this pressure transducer. Before using it, please read the operating instructions carefully through so that you can use it correctly.

1. Installation

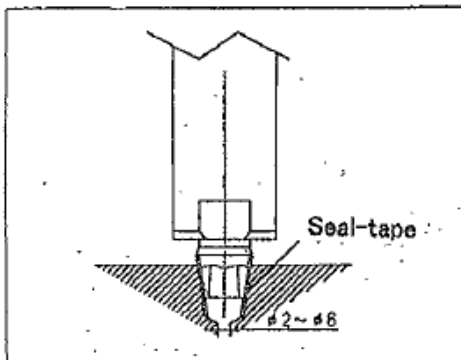
- ① Install the pressure transducer with attached packing. Fig.1 shows tightening torques.

Fig.1



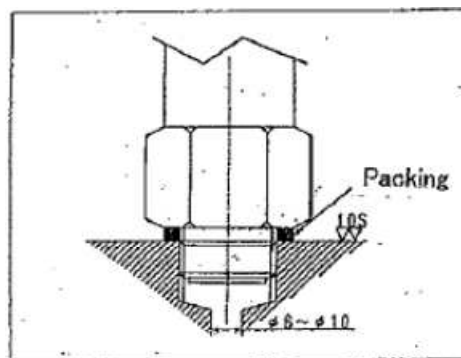
G [PF] type

tightening torque : 20 N·m to 40 N·m



R [PT] type

tightening torque : 20 N·m to 40 N·m



Flash diaphragm

tightening torque : 10 N·m to 20 N·m

2. Handling precautions

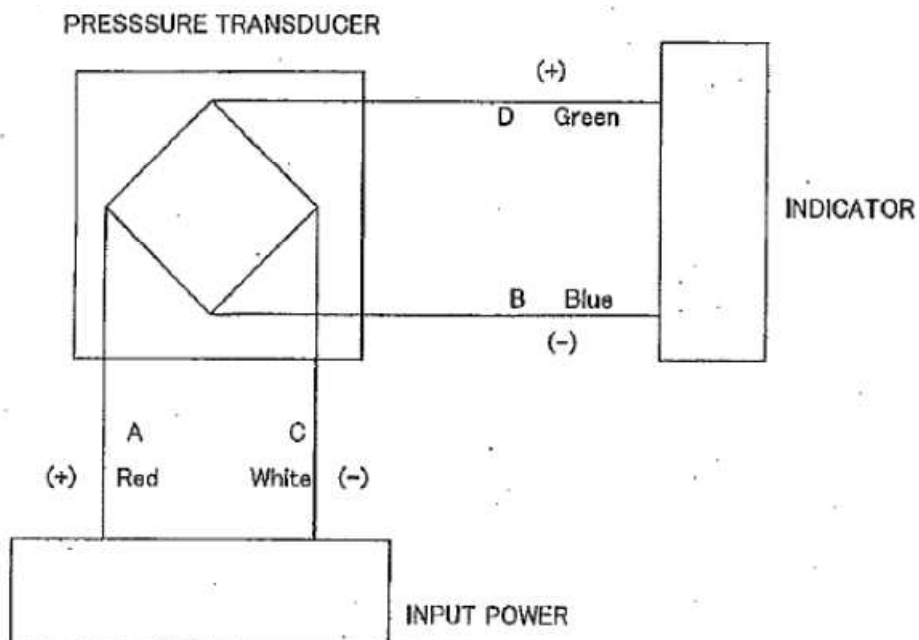
Observe the following precautions to obtain accurate measurements and for safety reasons.

- ① The installation base must be strong enough.
- ② Avoid abrupt temperature changes and direct enough.
- ③ Avoid strong electric or magnetic fields which will cause noise.
- ④ Do not bend the cord exit too much or do not pull it strongly.
- ⑤ In vibration environments ,fix the cord at it's outlet and use a proper lock.
- ⑥ Tighten the screws again at regular intervals in environments where it tend to loosen.
- ⑦ For combination with the pressure transducer, use constant-voltage type instruments.(Constant-current type ones cannot be used.)

3. Connection

Connect the pressure transducer by checking the colors of cord or pin numbers of connector as shown in Table.1.

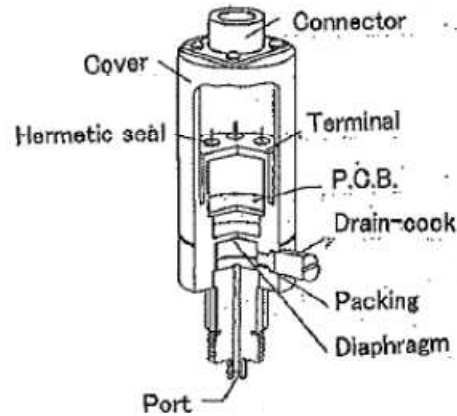
| CONNECTOR PIN | COLOR | INPUT(+) | INPUT(-) | OUTPUT(+) | OUTPUT(-) |
|---------------|-------|----------|----------|-----------|-----------|
| A | Red | Red | White | Green | Blue |
| B | | | | D | D |



4. Maintenance

- ① Do not disassemble the pressure transducer.
- ② Do not drop objects on the pressure transducer and avoid shocks on it.
- ③ Recalibrate the pressure transducer about once a year. If overloads (higher than the allowable load) or excessive loads are applied, always recalibrate the pressure transducer and check to make sure that it functions properly.
- ④ Avoid water splashes on the cord terminal or connector.
- ⑤ Do not suspend the pressure transducer by holding its cord.

Fig.2 shows Structure of typical pressure transducer.



5. Inspection

In case of unstable indicator values or malfunction, check if the pressure transducer is connected to indicators and if the precaution in Section 2 have been observed, then make the following inspections on the pressure transducer.

- ① Check input/output resistance with a tester or other instruments.
- ② Make sure the insulation resistance of the pressure transducer itself and cord conductor is $1000M\Omega / 50V$ D.C. or higher. Do not use a megger for measurement.
- ③ make sure the no-load output (initial unbalance) is within $\pm 0.25mV/V$. If these measured values are abnormal, contact your MINEBEA dealer.

Please contact us or the bought agency without resolving it when abnormality occurs in the pressure sensor.

Please contact us when there is an uncertain point(the connection way etc.).

About Purchase, Repair and Calibration,

<Contact from Japan>

| | | | | |
|-------------------|-----|--------------|-----|--------------|
| Kanto area sales | Tel | 03-6758-6761 | Fax | 03-6758-6760 |
| Nagoya area sales | Tel | 052-231-1181 | Fax | 052-231-1157 |
| Kansai area sales | Tel | 06-6263-8331 | Fax | 06-6263-7388 |

About engineering information***Telephone No. as below

Technical support Free Dial  0120-950008

<Contact from Other country>

Fujisawa factory Tel 81-466-22-7151 Fax 81-466-22-1701

please acknowledge that the content described in this book is subjected to variation without a previous notice beforehand.

MINEBEA CO.,LTD.
Sensing Device Business Unit