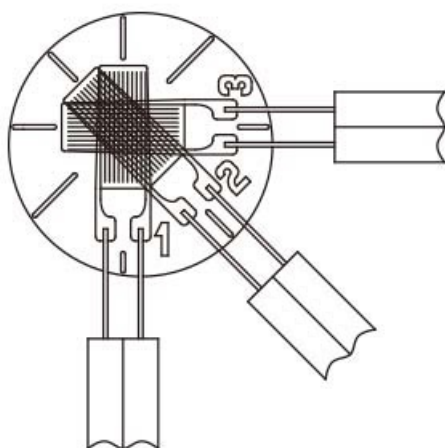


Gage shape



Gage pattern	Resistance [Ω]	Gage length [mm]	Base size (ϕ) [mm]	Pattern size (X) [mm]	Pattern size (Y) [mm]
3-element rosette	120	5	12	8	2.5