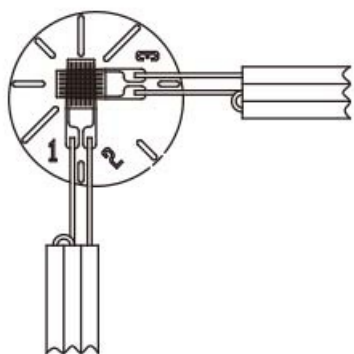


Gage shape



Gage pattern	Resistance [Ω]	Gage length [mm]	Base size (ϕ) [mm]	Pattern size (X) [mm]	Pattern size (Y) [mm]
2-element cross	120	2	8	4.1	1.4