

## SPECIFICATIONS

Tie bar gage ring for inspection

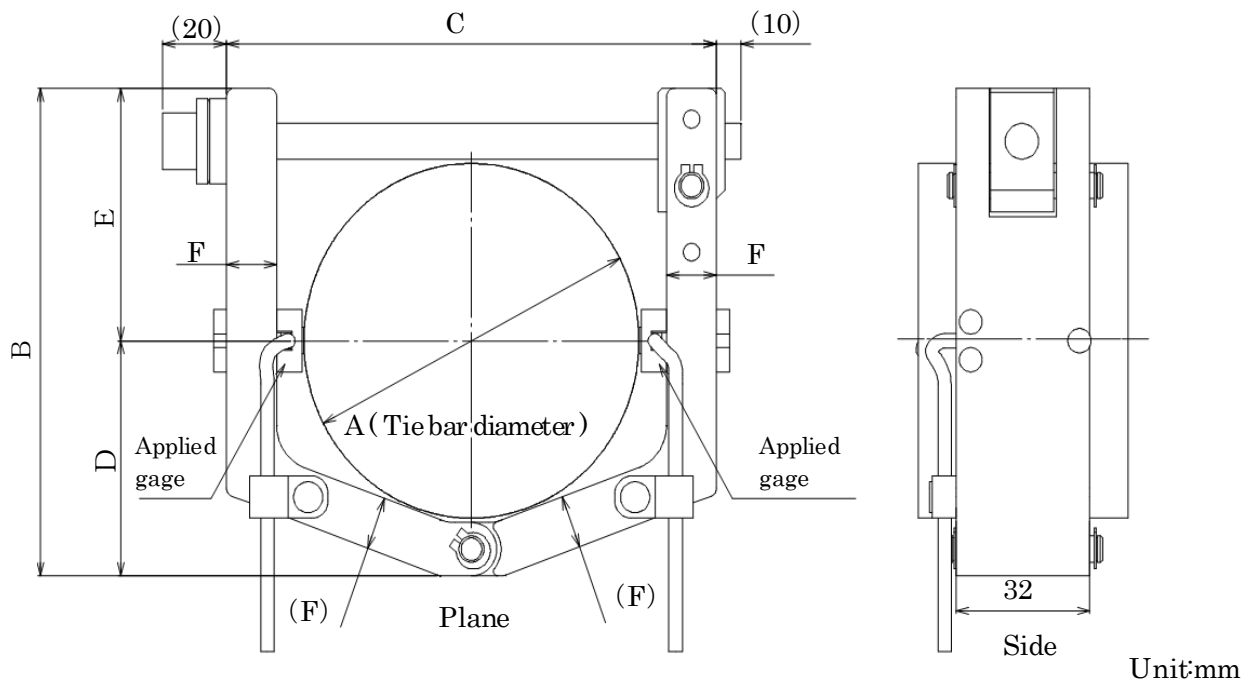
- Specifications

P/No. : TGR-※※※※  
 Diameter for applied tie bar :  $\phi$  40 to 200  
 Material : Aluminum alloy(Main body), Alloy steel (Others)

- Options

Applicable gage : UX010 (LB)  
 Special indicator : TSD-591  
 Torque wrench : TSR-T

- Outline dra



# SPECIFICATIONS

TGR-※※※※

Spec. No. EN240002-F

2/2

Outline dimension table

Unit: mm

P/NO.	Applicable tie bar diameter	Outline dimensions					Tightening torque (cNm)	Weight (Approx.g)
		B	C	D	E	F		
TGR-(A)	A	B	C	D	E	F	140	
TGR-040	40	70	77	33	37	12		285
TGR-042	42	72	79	34	38	12		291
TGR-045	45	75	82	35.5	39.5	12		304
TGR-050	50	80	87	38	42	12		319
TGR-055	55	85	92	40.5	44.5	12		330
TGR-056	56	86	93	41	45	12		336
TGR-058	58	88	95	42	46	12		342
TGR-060	60	90	97	43	47	12		347
TGR-070	70	100	107	48	52	12		382
TGR-075	75	105	112	50.5	54.5	12		400
TGR-080	80	110	117	53	57	12		415
TGR-082	82	112	119	54	58	12		421
TGR-085	85	115	122	55.5	59.5	12		430
TGR-090	90	120	127	58	62	12		448
TGR-095	95	125	132	60.5	64.5	12		465
TGR-100	100	138	153	71	67	20		758
TGR-105	105	143	158	73.5	69.5	20		785
TGR-110	110	148	163	76	72	20		811
TGR-120	120	158	173	81	77	20		865
TGR-125	125	163	178	83.5	79.5	20		893
TGR-130	130	168	183	86	82	20		918
TGR-140	140	178	193	91	87	20		950
TGR-145	145	183	198	93.5	89.5	20		978
TGR-150	150	188	203	96	92	20		1002
TGR-160	160	198	213	101	97	20		1054
TGR-180	180	218	233	111	107	20		1158
TGR-190	190	228	243	116	112	20		1210
TGR-200	200	238	253	121	117	20		1259

Specifications and outline dimensions and so on which have printed may subject to change for the purpose of improvement without notice.