

SPECIFICATIONS

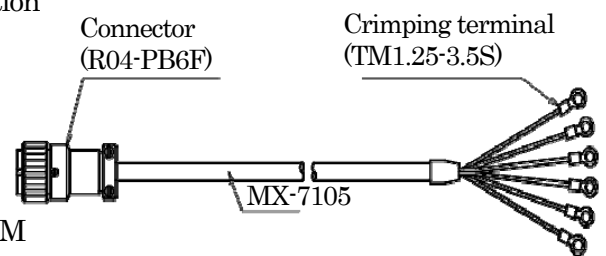
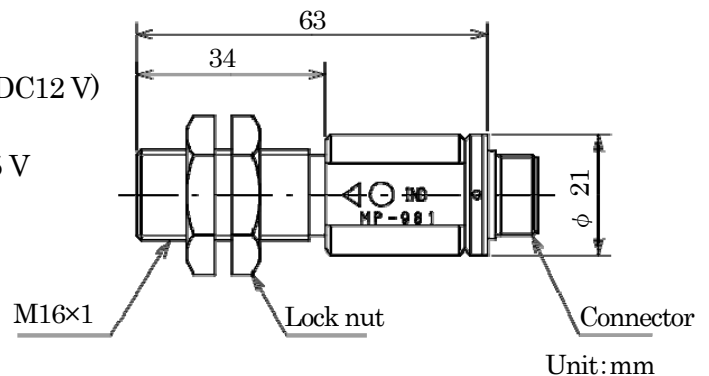
Tachometer

Tachometer
MP-981

Spec. No. EN265981-D

1/1

- Detecting element : Detection due to magnetic resistance elements
- Measuring range : 1 Hz to 20 kHz
(1 rpm to 20 000 rpm: By the combination with the detecting gears having 60 teeth gears. ※)
- Gears for detection : Powerful magnetic material (Module 0.5 to 3, tooth's width 3 mm or more)
- Detectable distance : 1 mm or less
- Operating power supply : DC 12 V ± 2 V
- Consumption or current : Approx. 30 mA (At DC 12 V)
- Output waveform : "L" + 0.5 V or less
within "H" + 5 V ± 0.5 V
(Square wave)
- Output impedance : Approx. 330 Ω
- Load resistance : 500 Ω or more
- Output method : COM and power supply is isolated.
- Protective circuit : Power supply polarity traverse connection
Output short circuit protection
- Operating temperature range : -10 to 70 °C
- Storage temperature range : -20 to 80 °C
- Connector : With receptacle applied
P/N for connector: R04-R6M
- Cable : MX-7105 (Accessories)
5-cores shielded 5 m cable
One side compression terminal, and the other side is separated.
P/N for connector: R04-PB6F
P/N for compression terminal: TM1.25-3.5S
- Weight : Approx. 80 g (2 pieces of fitting nuts are included.)



※ When the teeth number at gears for detection is 60, the number of rotation shown as rpm and the absolute value of frequency shown as Hz are equal each other.

Constituting parts	
Main body	1
Nut	2
Cable	1

Connector connection

The relations between the definitions for connector pin, colors for input/output code and input/output are as follows:

Definitions for connector pin	A	B	C	D	E	F
Color of core wire	Blue	White	Red	Shield	Green	Black
Input/output	signal output(H)	empty	Power supply (+)	GND (Case)	COM (L)	Power supply(-)

※ Specifications and outline dimensions and so on which have printed may subject to change for the purpose of improvement without notice.