

TORQUE TRANSDUCER TYPE TMNR-100NM,200NM

SPECIFICATIONS

Rated capacity(R.C.) : 100 N·m, 200 N·m
 Safe overload : 120 %R.C.
 Max. Safe overload : 200 %R.C.
 Rated output(R.O.) : 1.6 mV/V±0.32 mV/V
 (in case of combine CSA-561)
 Accuracy : 0.5 %R.O.
 (Include Non-linearity, Hysteresis and Repeatability)
 Recommended excitation : 2 V AC
 Insulation resistance : 500 MΩ or more
 (Bridge-body)
 Surrounding temperature range : 0 °C to 40 °C
 (because heat generation of Bearings.)
 Safe temperature range : 0 °C to 90 °C
 Temperature effect on zero balance: 0.2 %R.O./10°C
 Temperature effect on output : 0.2 %LOAD/10°C
 Max. revolution : 10000 r.p.m.

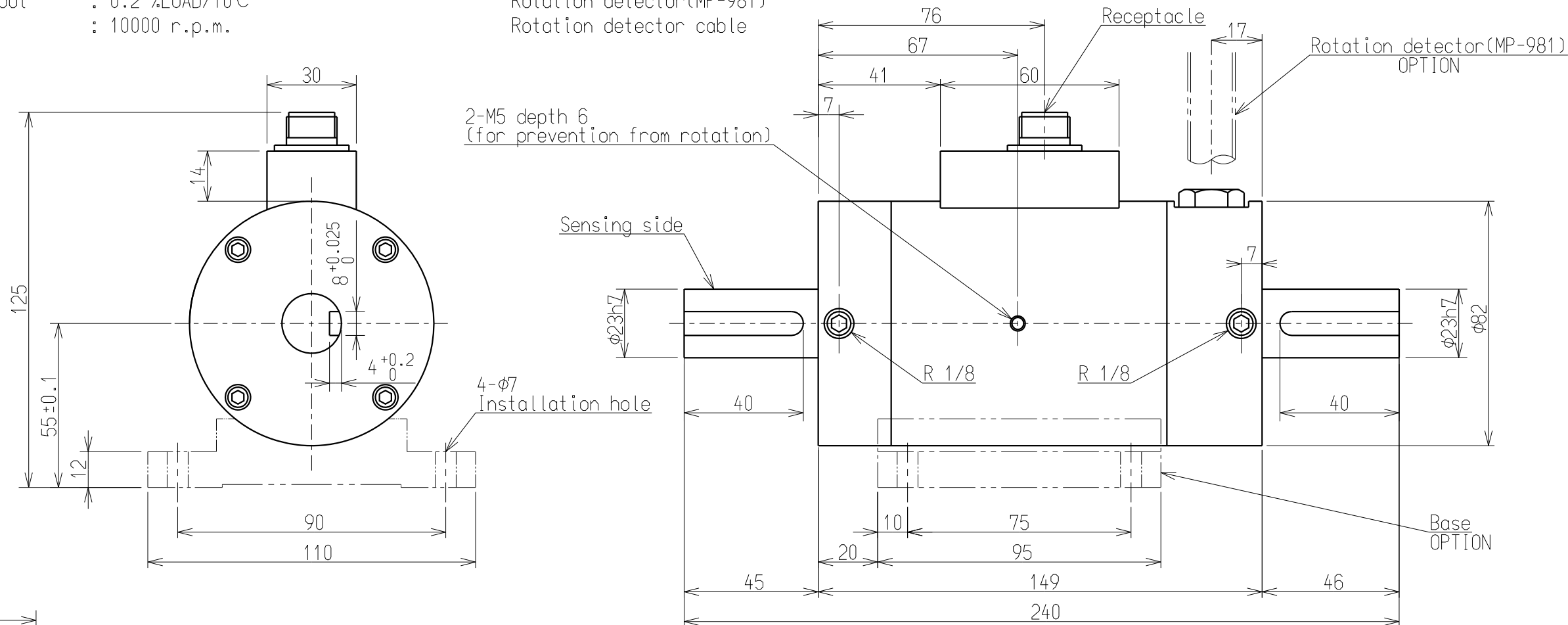
Rotation effect : 0.5 %R.O.
 on zero balance
 Generation of heat : 40 °C or under/Max.revolution
 caused by rotation
 IP class : IP40
 Rotation finder gear : S45C,60tooth
 (build in) 1module,tooth width 8mm
 Rotor weight : approx. 1.5 kg
 Total weight : approx. 3.0 kg
 ATTACHMENT

Cable : φ10 4core shield 5m
 △ Connector:1108-12A10-7M10.0
 PRC03-12A10-7M10.5
 Key : S45C,2pcs

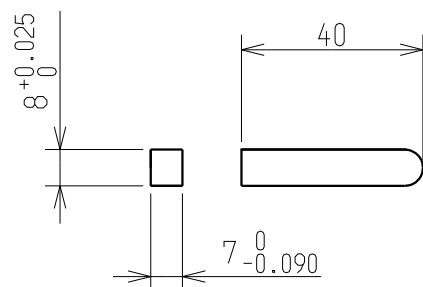
Model(Capacity indicated)	100NM	200NM
Rotor inertia (kg·cm ²)	2.873	3.011
Rotor GD2 (kg·cm ²)	11.49	12.04
Torsional stiffness (kN·m/rad)	6.296	11.21
Torsion peculiar pitch (kHz)	3.9	5.2
Twist angle at R.C. (°)	0.892	1.003
Safe radial load (N)	29.42	34.32
Safe radial load(Static) (N)	98.07	196.1
Safe thrust load (N)	98.07	98.07
Bearing	6005ZZ	6005ZZ

【NOTES】
 Safe radial load:
 Above data is at maximum speed.
 Safe radial load(static):
 Above data is direct loading by static test.

OPTION
 Base(NRBS-1)
 Rotation detector(MP-981)
 Rotation detector cable



【KEY】



					ミネベアミツミ株式会社 MinebeoMitsumi Inc. センシングデバイス事業部 Sensing Device Business Unit			単位 UNIT mm 尺度 SCALE Free	材質 MATERIAL - 表面粗さ SURF.ROUGH. - 熱処理 HEAT TREAT. - 表面処理 FINISH -	作成日 DATE 2023/01/30 品名 DESCRIPTION OUTLINE 型式 MODEL NAME TMNR-100NM,200NM 図番 DRAWING NO. KT53906-2	葉番 SHEET 1 / 1 改訂 REV. A
A	2023.01.30	FN23-0011			APPROVED	CHECKED	DRAWN	DIMENSION L TOL <L≤6 ±0.1 6<L≤30 ±0.2 30<L≤120 ±0.3 120<L≤400 ±0.5 400<L≤1000 ±0.8 角度 DEG ±0.5	表面処理 FINISH -	型式 MODEL NAME TMNR-100NM,200NM 図番 DRAWING NO. KT53906-2	葉番 SHEET 1 / 1 改訂 REV. A
-	2015.02.10	NEW									
行号 MARK	日付 DATE	変更事項 REASON	ECN NO.	担当 ENGINEER	承認 APPROVED						