

SPECIFICATIONS TRANSMITTER

1. Specifications

- Bridge power supply DC10 V(+0.9 V, -0.2 V)
- Applicable transducers Up to 4 pieces of strain gage applied transducers(350 Ω) can be connected.
- Sensitivity 10 V output at the input of 1 mV/V
- Sensitivity adjustable range 1 000 times Adjustable from 1/1 times to 0.9 times
- Output voltage ±10 V Load resistance 2 kΩ or more
- Zero point adjustment range
Tare compensation Adjustable by internal fixed resistance
Zero adjustment Adjustable ±0.1 mV/V by trimmer
- Non-linearity 0.05 %F.S.
- Effect due to temperature variation
Zero point ±2 μV/°C (Input conversion)
Sensitivity Within ± 0.05 %F.S./°C
- CHECK 1 point Approx.80 % of rated output voltage
- Frequency response range 10 Hz (±3 dB)

2. Standard specifications

- Operating temperature/humidity range
Temperature 0 °C to 50 °C
Humidity 80 %R.H. or less (Non condensing.)
- Power supply
Power supply voltage DC ±15 V ± 0.75 V 150 mA
- Outline dimensions(W×H×D) 70 mm×70 mm×20 mm
- Weight Approx. 0.2 kg

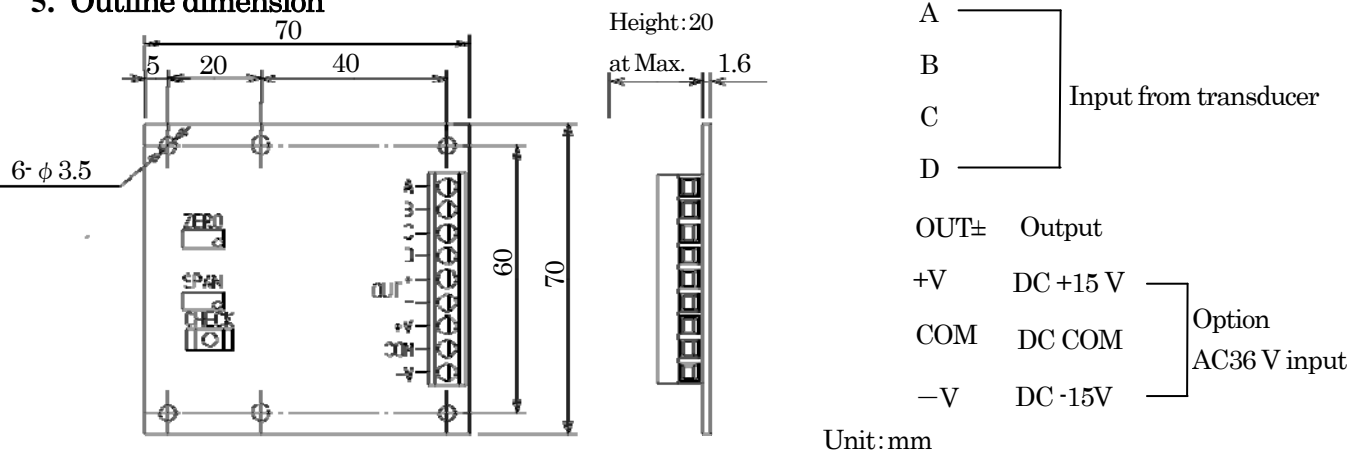
3. Option

- Power supply voltage AC36 V with center tap

4. Accessories

- Minus driver 1 piece

5. Outline dimension



Specifications and outline dimensions and so on which have printed may subject to change for the purpose of improvement without notice.