

DIX24

2023/03/22

Overview



Motor Type : 3 Phase 12 poles inner rotor type DC Brushless Motor

Driver circuit built-in

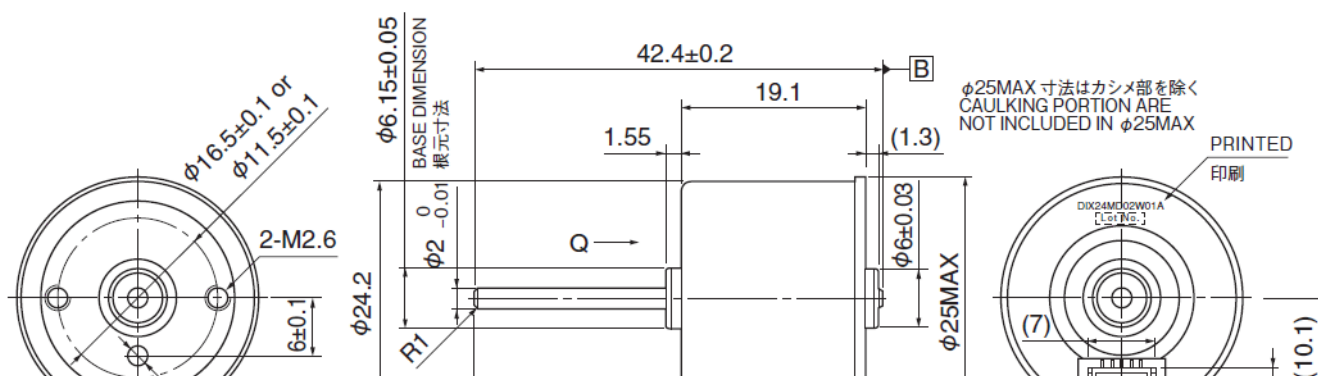
Bearing : Can be select to Oil retaining bearing or Ball bearing

Connection : Connector 5pin

JST BM05B-SRSS-TB or JCTC 11002W00-5P-S

Driver IC : 1 chip IC is mounted.

Overall View

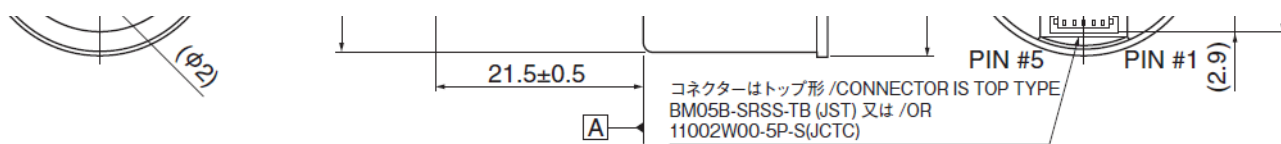


ミネベアミツミ株式会社

Copyright©MinebeaMitsumi Inc. All right reserved.

DIX24

2023/03/22



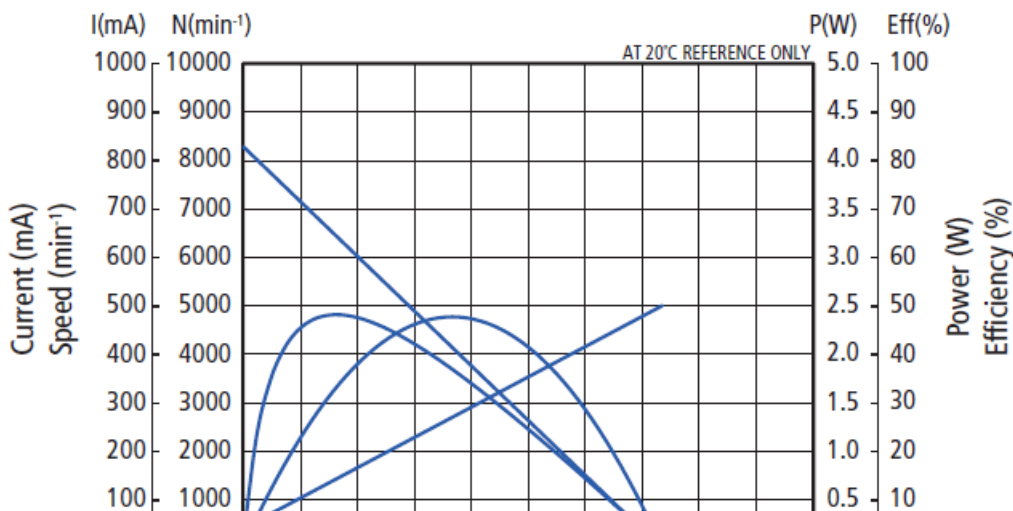
Major Characteristic Parameters

No load speed [min-1]	8250
Starting torque [mN · m]	11
Starting current [mA]	500
Maximal efficiency [%]	48.0
Speed at maximal efficiency [min-1]	4800
Life at 20 deg.C [hour]	5000

*at 24V

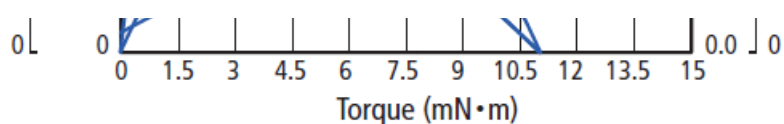
Please contact our sales for detail specification & order lot QTY. (All custom product by customer's requirement)

Property



DIX24

2023/03/22



Gear Spec. (Option)

Gear Ratio	Type	Material	Step	Length L1 [mm]	Total Length L1+motor [mm]	Rated Voltage [V]
1/4	Planetary	Metal	1	13.1	32.2	24
1/16	Planetary	Metal	2	16.2	35.3	24
1/24	Planetary	Metal	2	16.2	35.3	24
1/64	Planetary	Metal	3	19.3	38.4	24
1/96	Planetary	Metal	3	19.3	38.4	24

No Load Speed [min ⁻¹]	No Load Current [mA]	Rated Load Torque [mN·m]	Rated Load Speed [min ⁻¹]	Rated Load Current [mA]	Max Rated Load torque [mN·m]	Max Instant Torque [mN·m]
2063	50	11	1500	172	49	73.5
516	50	39	375	172	73.5	110.3
344	50	58	250	172	73.5	110.3
129	50	70	111	110	98	147
86	50	98	75	110	98	147

This is a typical example. Other gear ratios are also available.

The notation is the value of the standard type. The torque exceeding the notation can be coped by changing gear material or gear thickness.