

# DIX42(10W)

2023/03/22

## Overview



dia. 42 × L41 DC Brushless motor inner rotor type

Motor Type : 3 Phase DC Brushless Motor

Direction of Rotation : CW and CCW

Driver circuit built-in.

Speed control by PWM DUTY.

Compact, Light Weight and High Output

High Efficiency

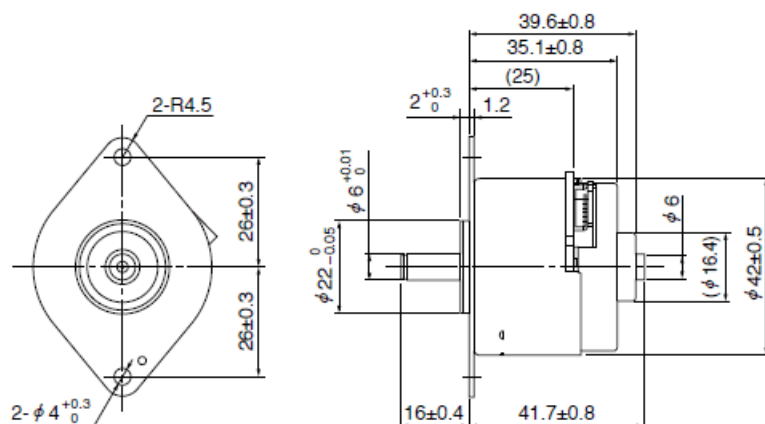
Low Inertia

Overcurrent and Locked Rotor Protection

There is an encoder installation type. (DIA42B10)

The gear machined output, shaft type is available as an option.

## Overall View



## DIX42(10W)

2023/03/22

## Major Characteristic Parameters

Operating Voltage (for Motor) Min. [VDC]	21.6
Operating Voltage (for Motor) Nom. [VDC]	24
Operating Voltage (for Motor) Max. [VDC]	26.4
Operating Voltage (for Circuit) Min. [VDC]	4.5
Operating Voltage (for Circuit) Nom. [VDC]	5
Operating Voltage (for Circuit) Max. [VDC]	5.5
Continuous Rating Power Max. [W]	6
Short Time Rating Power Max. [W]	10
Rotor Inertia (Reference Value) Nom. [g · cm <sup>2</sup> ]	18
Operating Temperature Min. [deg.C]	0
Operating Temperature Nom. [deg.C]	20
Operating Temperature Max. [deg.C]	50
Operating Humidity Min. [%RH]	15
Operating Humidity Max.	90

# DIX42(10W)

2023/03/22

Max. [%RH]	90
Usable Input PWM Duty Min. [%]	10
Usable Input PWM Duty Max. [%]	100
Motor Weight Max. [g]	150

Please contact our sales for detail specification & order lot QTY. (All custom product by customer's requirement)

## Property

