

DIX42(20W Low inertia)

2023/03/22

Overview

dia. 42 × L46 DC Brushless motor inner rotor type

Motor Type : 3 Phase DC Brushless Motor

Direction of Rotation : CW and CCW

Driver circuit built-in.

Speed control by PWM DUTY.

Compact, Light Weight and High Output

High Efficiency

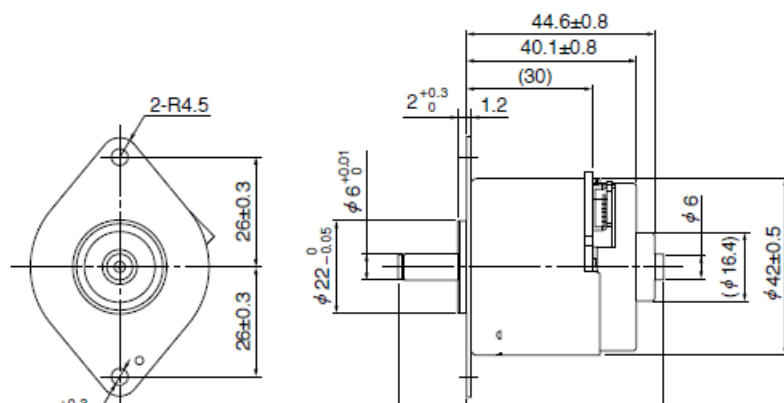
Low Inertia

Overcurrent and Locked Rotor Protection

There is an encoder installation type. (DIA42B20)

There is an geared type.

The gear machined output, shaft type is available as an option.

Overall View

ミネベアミツミ株式会社

Copyright©MinebeaMitsumi Inc. All right reserved.

DIX42(20W Low inertia)

2023/03/22

Operating humidity Max. [%RH]	90
Usable Input PWM Duty Min. [%]	10
Usable Input PWM Duty Max. [%]	100
Motor Weight Max. [g]	185

Please contact our sales for detail specification & order lot QTY. (All custom product by customer's requirement)

Property

