

DIX42(20W) for Home Appliances

2023/03/22

Overview



dia. 42 × L46 DC Brushless motor inner rotor type

Motor Type : 3 Phase DC Brushless Motor

Direction of Rotation : CW and CCW

Control-Driver circuit built-in

Low Noise

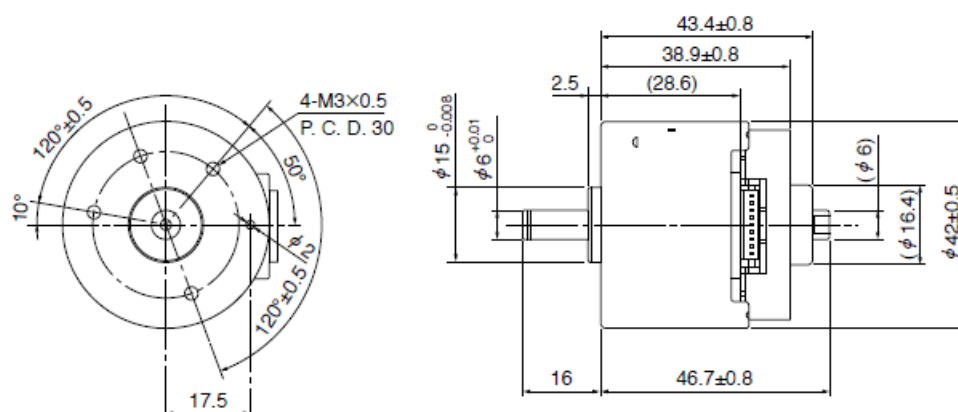
Compact, Light Weight and High Output

High Efficiency

Low Inertia

Overcurrent and Locked Rotor Protection

Overall View



Major Characteristic Parameters

ミネベアミツミ株式会社

Copyright©MinebeaMitsumi Inc. All right reserved.

DIX42(20W) for Home Appliances

2023/03/22

Operating Voltage (for Motor) Min. [VDC]	21.6
Operating Voltage (for Motor) Nom. [VDC]	24
Operating Voltage (for Motor) Max. [VDC]	26.4
Operating Voltage (for Circuit) Min. [VDC]	4.5
Operating Voltage (for Circuit) Nom. [VDC]	5
Operating Voltage (for Circuit) Max. [VDC]	5.5
Continuous Rating Power Max. [W]	12
Short Time Rating Power Max. [W]	20
Rotor Inertia (Reference Value) Nom. [g · cm ²]	20
Operating Temperature Min. [deg.C]	0
Operating Temperature Nom. [deg.C]	20
Operating Temperature Max. [deg.C]	50
Operating Humidity Min. [%RH]	15
Operating Humidity Max. [%RH]	90
Usable Input PWM Duty Min. [%]	10

DIX42(20W) for Home Appliances

2023/03/22

Usable Input PWM Duty Max. [%]	100
Motor Weight Max. [g]	190

Please contact our sales for detail specification & order lot QTY. (All custom product by customer's requirement)

Property

