

## EF type

2023/03/22

## Overview



Motor Type : 3 Phase DC Brushless Motor

Direction of Rotation : CW or CCW

Driver circuit built-in.

PLL control by external clock.

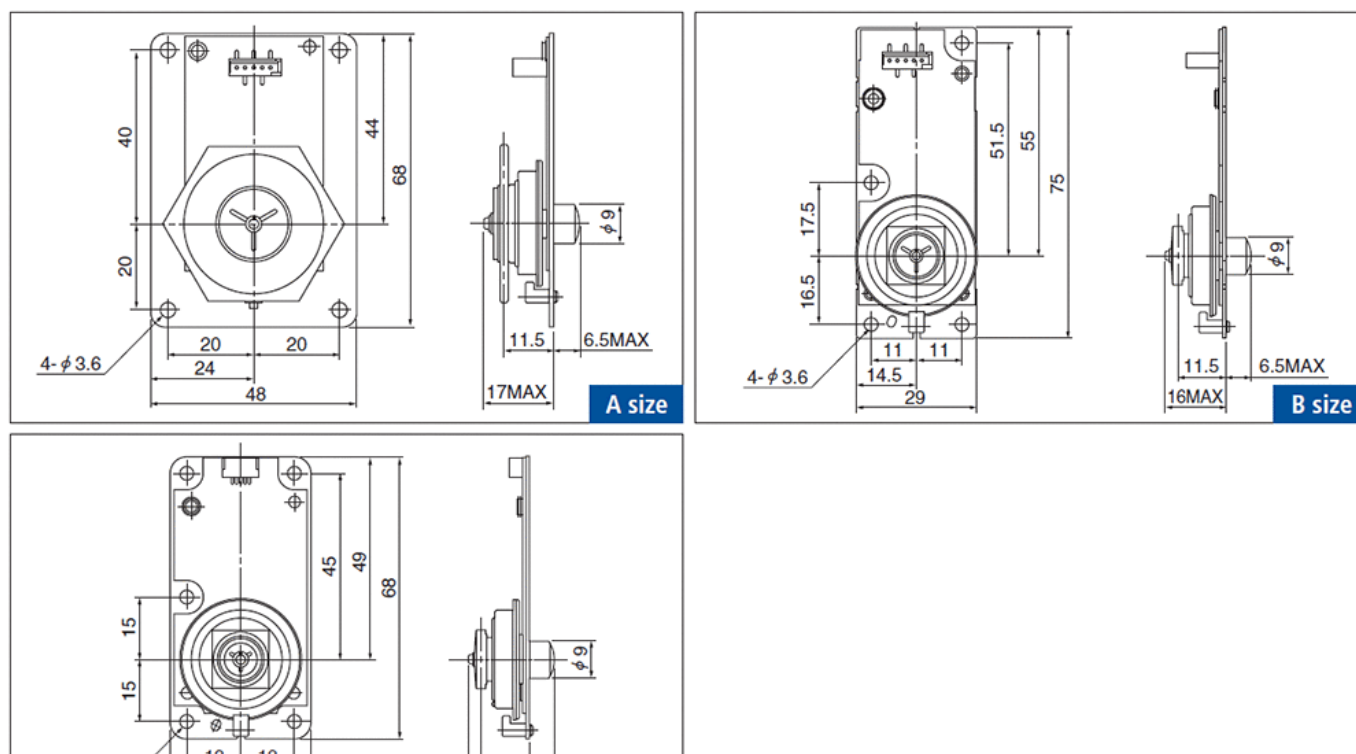
Bearing : Low vibration and stable high speed rotation by Insourcing oil bearing

High speed : High speed and low jitter are realized

by custom made IC and insourcing bearing

(~ 42,000/min、 0.025% max.)

## Overall View



## EF type

2023/03/22



## Specifications

Operating Voltage Min. [VDC]	Operating Voltage Nom. [VDC]	Operating Voltage Max. [VDC]	Speed Min. [/min]	Speed Max. [/min]	Current Max. [A]	Jitter Max. [%]
21.6	24.0	26.4	20000	42000	0.5	0.025
Pyramidal error Max. [arc sec.]			Starting Time Max. [sec.]			
150			4.5			

Please contact our sales for detail specification & order lot QTY. (All custom product by customer's requirement)