

DNN10B (Low voltage type) for home appliances

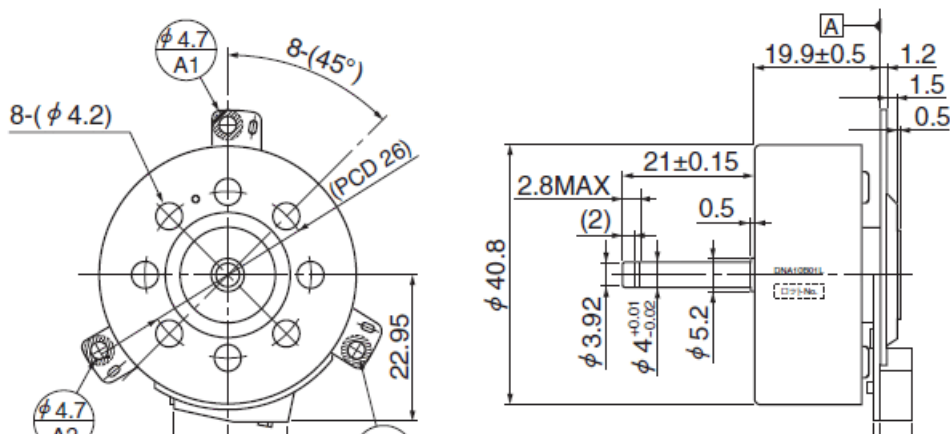
2023/03/22

Overview



- dia. 41 × L23 DC Brushless motor outer rotor type
- ⓑ dia. 92 × L45 DC Brushless motor outer rotor type
- Motor Type : 3 Phase DC Brushless Motor
- Direction of Rotation : CW and CCW
- Control-Driver circuit built-in.
- Compact, Light Weight and High Output
- High Efficiency
- Low Noise
- Overcurrent and Locked Rotor Protection

Overall View



ミネベアミツミ株式会社

DNN10B (Low voltage type) for home appliances

2023/03/22

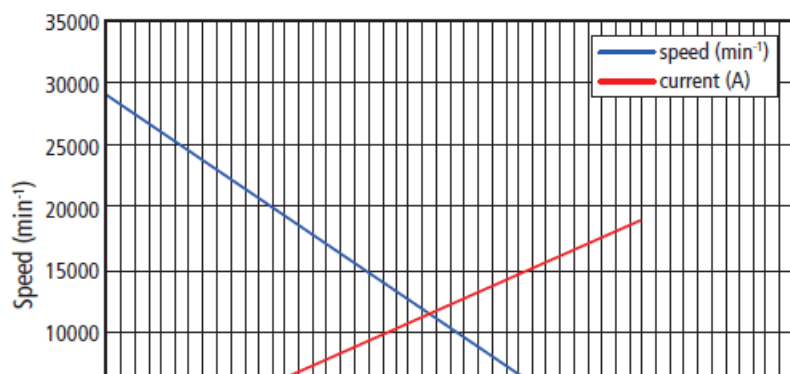


Specifications

Operating Voltage Min. [VDC]	21.6
Operating Voltage Nom. [VDC]	24
Operating Voltage Max. [VDC]	26.4
Operating Speed Nom. [min ⁻¹]	20000
Continuous Rating Power Nom. [W]	135
Operating Temperature Min. [deg.C]	0
Operating Temperature Max. [deg.C]	40

Property

S-T CURVE at DC24V



DNN10B (Low voltage type) for home appliances

2023/03/22

