

DNQ06KF (Fe Mg)

2023/03/22

Overview



dia. 55 × L25 DC Brushless motor outer rotor type

Motor Type : 3 Phase DC Brushless Motor

Direction of Rotation : CW and CCW

Control-Driver circuit built-in.

Compact, Light Weight and High Output

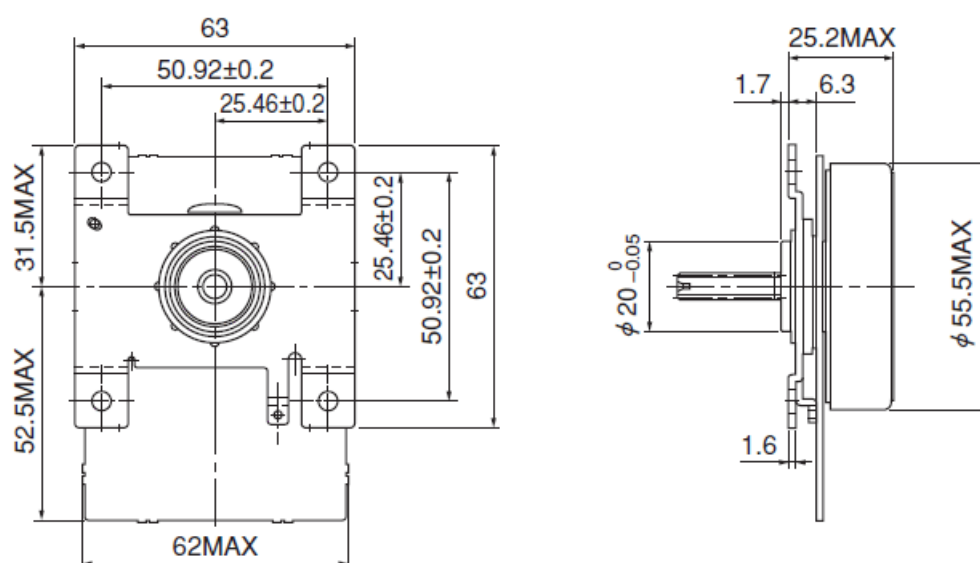
High Efficiency

Low Noise

Overcurrent and Locked Rotor Protection

The gear machined output, shaft type is available as an option.

Overall View



DNQ06KF (Fe Mg)

2023/03/22

Specifications

| | |
|---|------|
| Operating Voltage Min. [VDC] | 21.6 |
| Operating Voltage Nom. [VDC] | 24 |
| Operating Voltage Max. [VDC] | 26.4 |
| Operating Speed Min. [min-1] | 600 |
| Operating Speed Max. [min-1] | 3000 |
| Continuous Rating Power Max. [W] | 12 |
| Rotor Inertia (Reference Value) Nom. [g · cm ²] | 417 |
| Operating Temperature Min. [deg.C] | 0 |
| Operating Temperature Nom. [deg.C] | 20 |
| Operating Temperature Max. [deg.C] | 50 |
| Operating Humidity Min. [%RH] | 15 |
| Operating Humidity Max. [%RH] | 90 |
| Motor Weight Max. [g] | 210 |

Please contact our sales for detail specification & order lot QTY. (All custom product by customer's requirement)

DNQ06KF (Fe Mg)

2023/03/22

Property

